

ROOMS TO GO

Manufactured for Rooms to Go.

Assembly Instructions

32173192 - 7319-120 LUMA VISTA DRESSER WHITE GLOSS

32173166 - 7316-320 LUMA VISTA DRESSER BLUE GLOSS




32273194 - 7319-140 LUMA VISTA MIRROR WHITE GLOSS

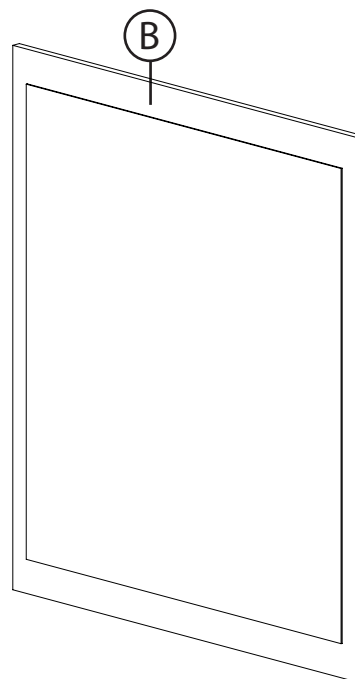
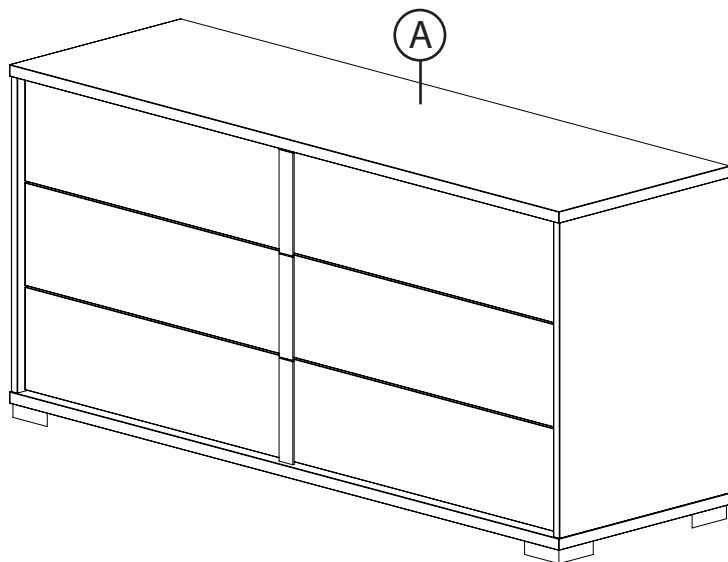
32273168 - 7316-340 MIRROR BLUE GLOSS

Component List

No	Descriptions	Qty
A	Dresser	1
B	Mirror	1

Hardware List

No	Descriptions	Qty
1	Metal Bracket 	2
2	TPS Screw M4x30mm 	10
3	Wood Supports 	2



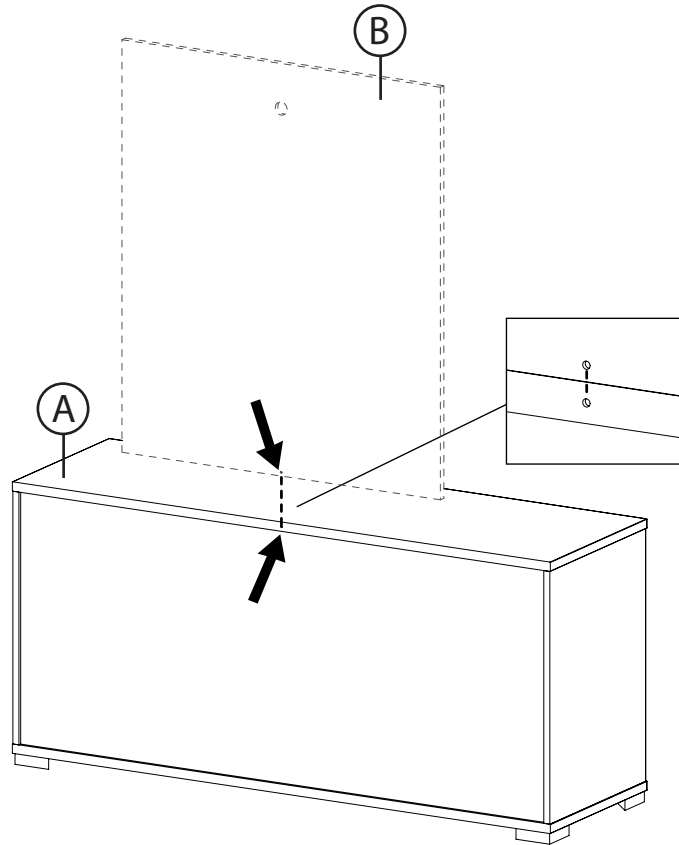
Hardware Pack Location(s):

32173192 - 7319-120 LUMA VISTA DRESSER WHITE GLOSS

32173166 - 7316-320 LUMA VISTA DRESSER BLUE GLOSS

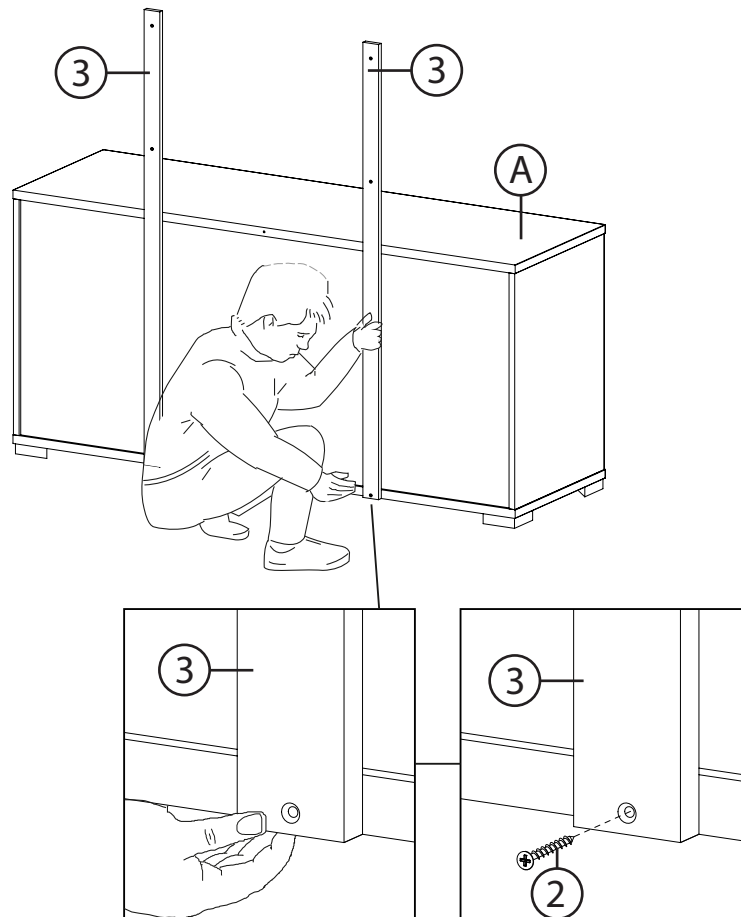
STEP 1.1

STEP 1.1: Align the hole at the back of the mirror (B) to the hole at the back of the dresser (A) to center the mirror (B) to the dresser (A) and estimate the position of the wood supports.



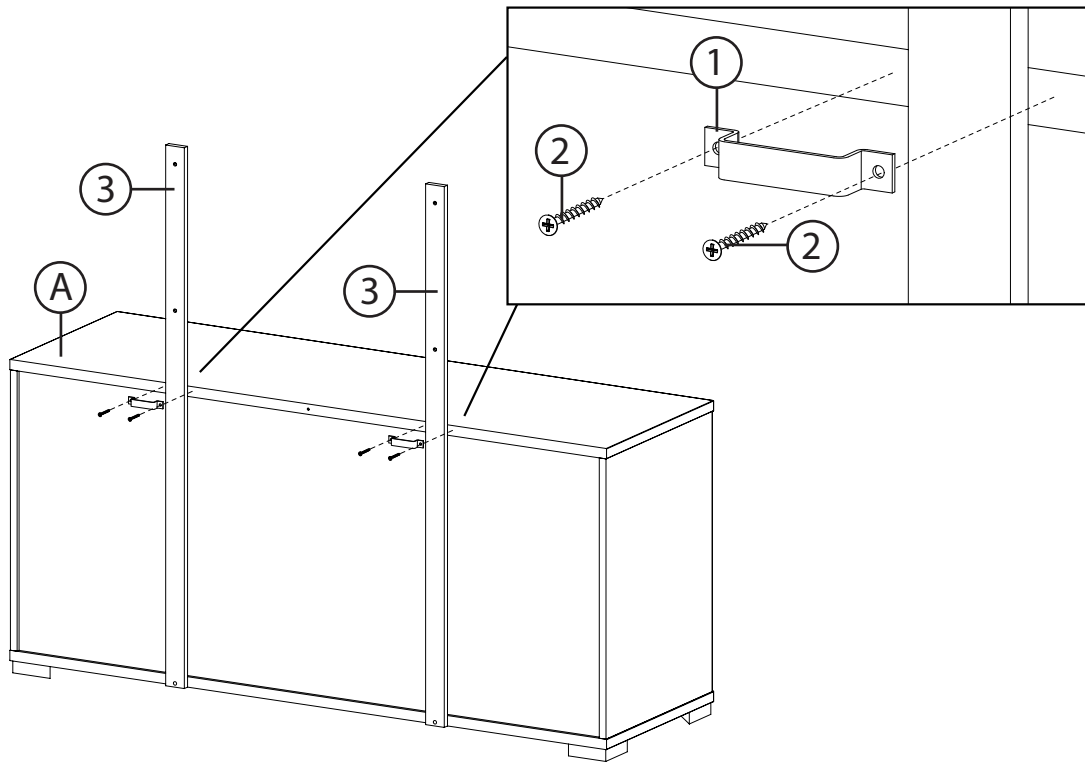
STEP 1.2

STEP 1.2: Align the wood supports (3) to the bottom panel of the dresser (A) and fix them by tightening the screws (2)



STEP 1.3

STEP 1.3: Fix the wood supports (3) with the metal bracket (1) to the back of the top panel of the dresser (A) by tightening the screws (2)



STEP 1.4

STEP 1.4: Fix the mirror (B) to the wood supports (3) by tightening the screws (2)

