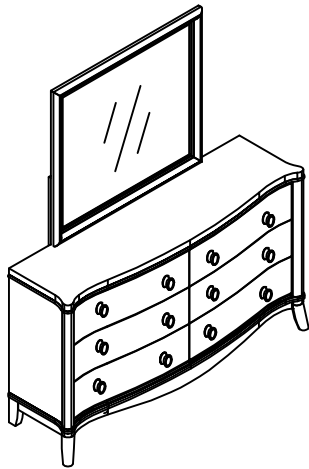


Thank you for purchasing this quality product. Be sure to check all packing material carefully for small parts that may have come loose inside the carton during shipment.

TOOLS REQUIRED (NOT PROVIDED)

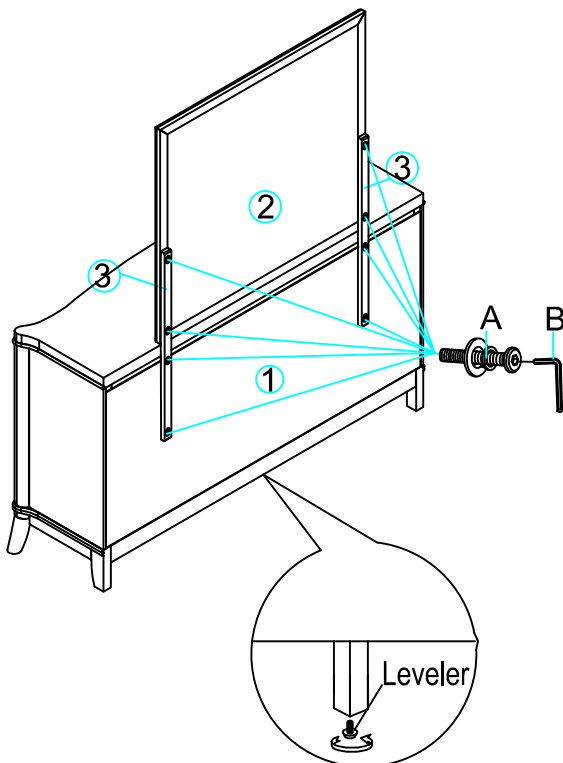
PHILLIPS SCREWDRIVER



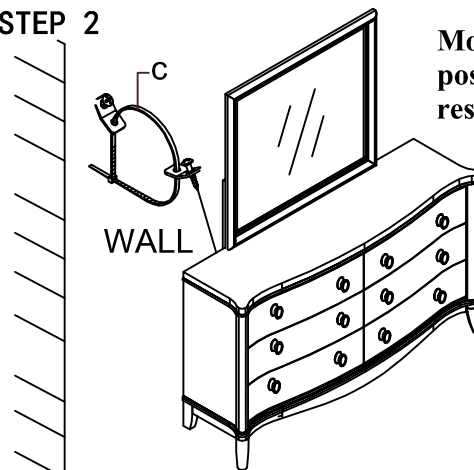
HARDWARE LISTS			
No.	OUTLOOK	SIZE	Q'TY
A		JCBC Bolt 1/4"X20X32mm	8PCS
		Lock Washer 1/4"	8PCS
		Flat Washer 1/4"X19mmX1mm	8PCS
B		Allen Key	1PC
C		Tipping Restraint	1SET

PARTS LIST:			
No.	Sketch	Description	Quantity
1		DRESSER	1PC
2		MIRROR	1PC
3		MIRROR SUPPORTS	2PCS

STEP 1



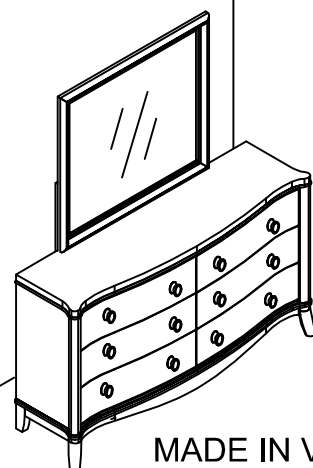
STEP 2



Move the Dresser into final position and use tipping restraint attach to wall

Completed

WALL



MADE IN VIETNAM