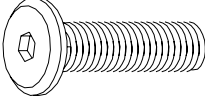
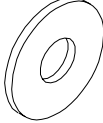
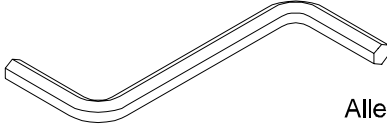
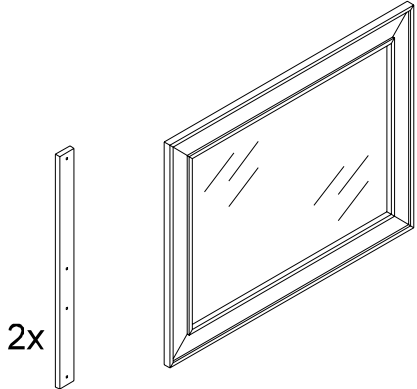
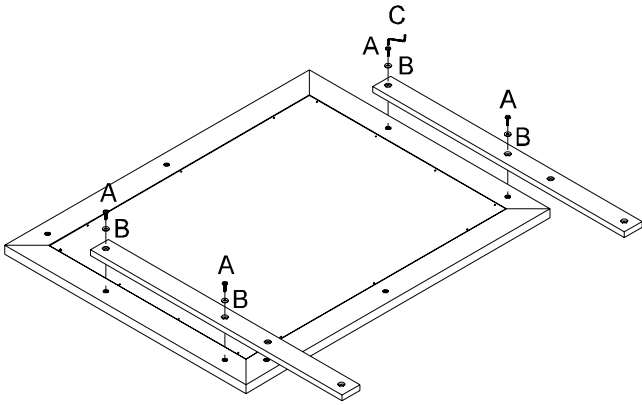


A		Allen Screw	08
B		Washer	08
C		Allen Wrench	01

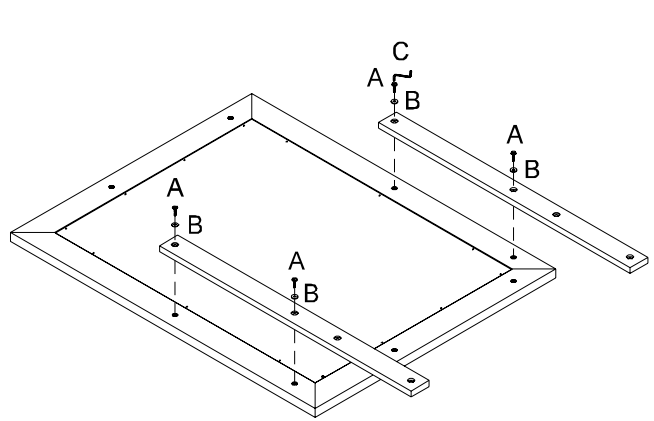


STEP 1:

LANDSCAPE

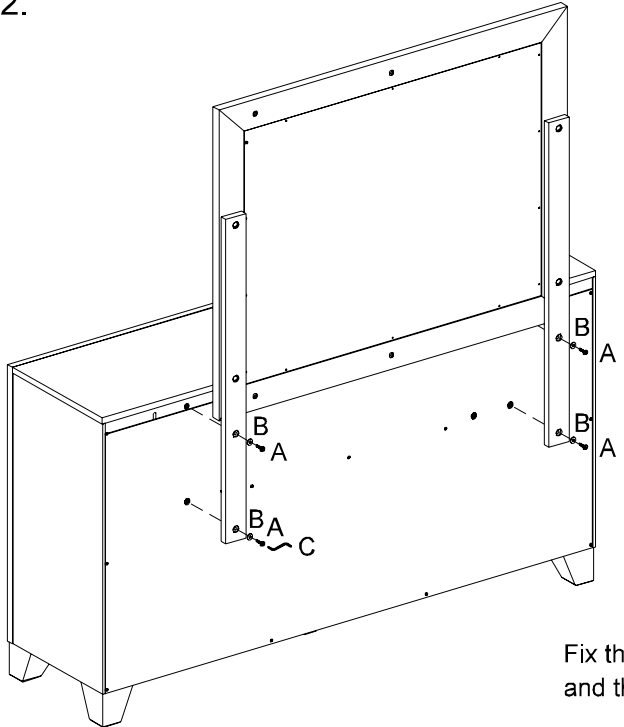


PORTRAIT



Please choose the desired position of the mirror, landscape or portrait, and fix the support rails to the mirror using the 4 screws A and the 4 washers B using the allen wrench.

STEP 2:



Fix the support rails to the Dresser with the 4 screw A and the washers B using the allen wrench.