


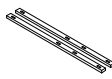




Assembly Instructions

NAJA 7968-1 DRESSER SKU # 32179687

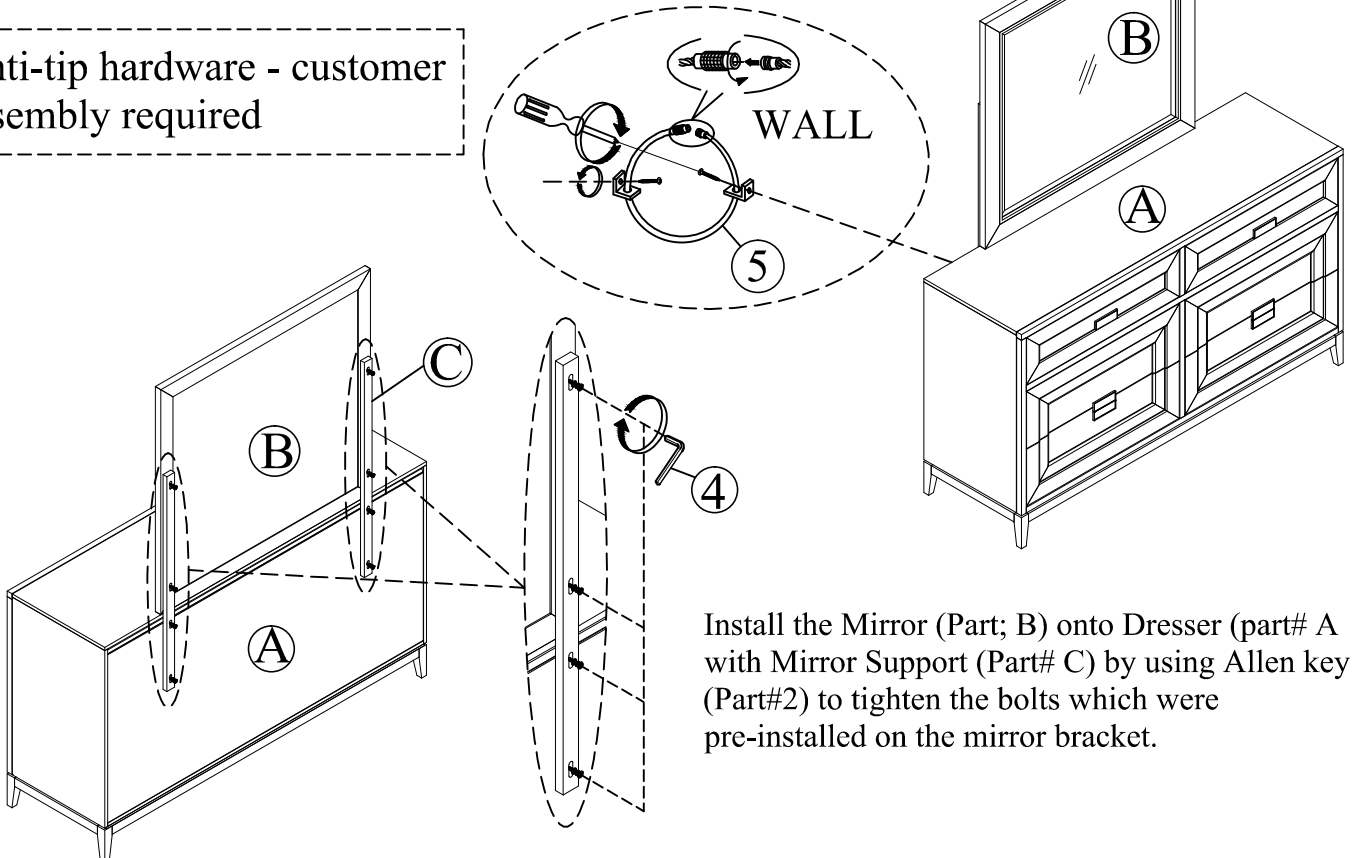
NAJA 7968-2 MIRROR SKU # 32279689

Thank you for purchasing this quality product. Be sure to check all packing material carefully for small parts, which may have come loose inside the carton during shipment. Identify and count all parts and compare with the **HARDWARE LIST** below.

PARTS LIST	NO.	Description		Quantity	TOOLS REQUIRED (NOT PROVIDED)	
	A	Dresser (Sold separately)		1 pc	Description	Sketch
	B	Mirror		1 pc	Phillips screwdriver	
	C	Mirror support rails		2 pcs		

	NO.	Description		Quantity
HARDWARE LIST	1	Anti tipping kits		1 Set
	2	Allen Key - 4mm		1 pc

Anti-tip hardware - customer assembly required



Install the Mirror (Part; B) onto Dresser (part# A with Mirror Support (Part# C) by using Allen key (Part#2) to tighten the bolts which were pre-installed on the mirror bracket.

Hardware Pack Location(s)

NAJA 7968-1 DRESSER SKU # 32179687

NAJA 7968-2 MIRROR SKU # 32279689

This product is manufactured by NAJA for **ROOMS TO GO** ▶