

Assembly Instructions




HFVC 8470/8471-DRN Dresser
HFVC 8470/8471- MR Mirror

SKU# 33184704/33184716
SKU# 32284705/32284717


This product is manufactured by HFVC for

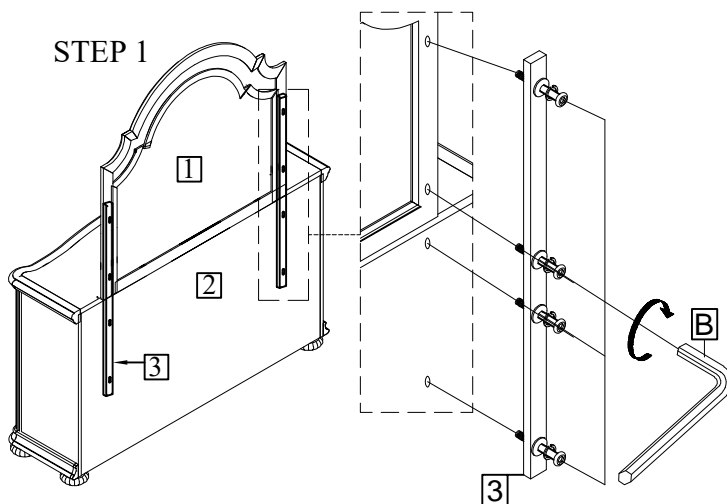
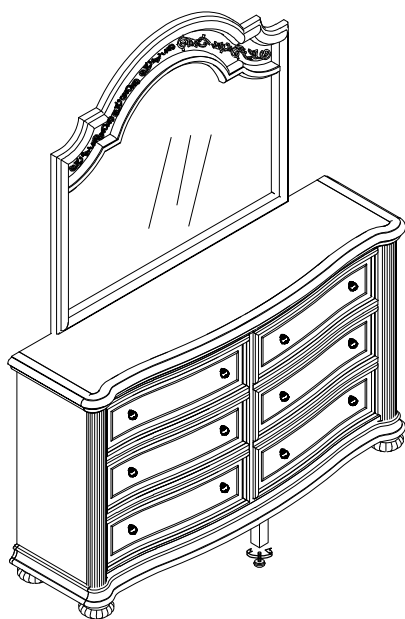
ROOMS TO GO ▶

*****Caution:** Please read all instructions carefully before starting the assembly process. These part are cumbersome and heavy. Therefore, two people are recommended in order to prevent personal injury and ensure the parts are not damaged during the assembly.

Code	PART LIST		
1	Mirror		1PC
2	Dresser		1PC
3	Mirror support		2PCS

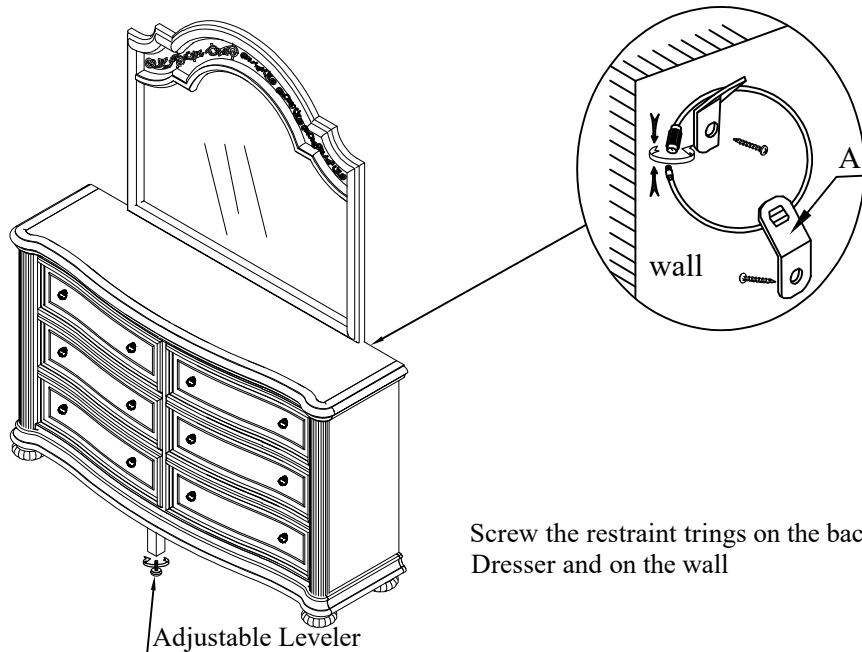
Step	Code	HARDWARE LIST		
1	A	Furniture Tipping Restraint		1set
	B	4mm Allen key		1pc

TOOLS REQUIRED (NOT PROVIDED)	
Description	Sketch
Phillips Screwdriver	



NOTES: Bolts were already pre-installed on the mirror brackets. Install the Mirror (1) onto the Dresser (2) with 2 Mirror support (3) from the back using allen key (B).

STEP 2



Screw the restraint trings on the back of the Dresser and on the wall

Hardware Pack location(s)

HFVC 8470/8471-MR Mirror SKU# 32284705/32284717

Anti Tipping Kit Location(s):

HFVC 8470/8471-DRN Dresser SKU# 33184704/33184716