

This product is manufactured by



ASSEMBLY INSTRUCTIONS

JORM 9019-07 MIRROR SKU 32290114



JORM 9019-05 DRESSER SKU 32190112

This product is manufactured by
JORM for Rooms To Go.

Step 1 Place Mirror in position as shown in Figure 1.

Step 2 Set Mirror Brackets as shown in Figure 2, matching slot of bracket with inserts on the back of mirror & dresser.

Step 3 Hold Brackets with Allen screws #2 (35mm) as shown in Figure 3. Tight with Allen wrench (#1 included).

COMPONENT LIST		
Nu.	Description	Qty.
A	Mirror	1-pc
B	Dresser	1-pc
C	Mirror Brackets	2-pcs


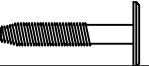
HARDWARE INCLUDED			
Nu.	Description	Picture	Qty.
1	Allen Wrench		1-pc
2	Allen Head Screw $\frac{1}{4}$ " X 20 X 35mm (4 pre installed on mirror)		8-pcs

Fig. 1

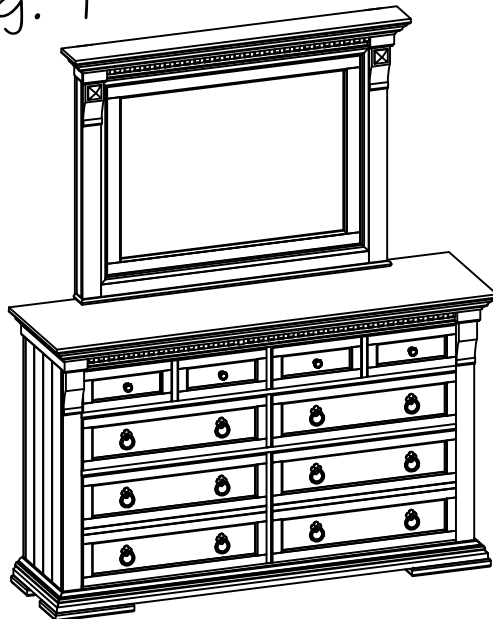


Fig. 2

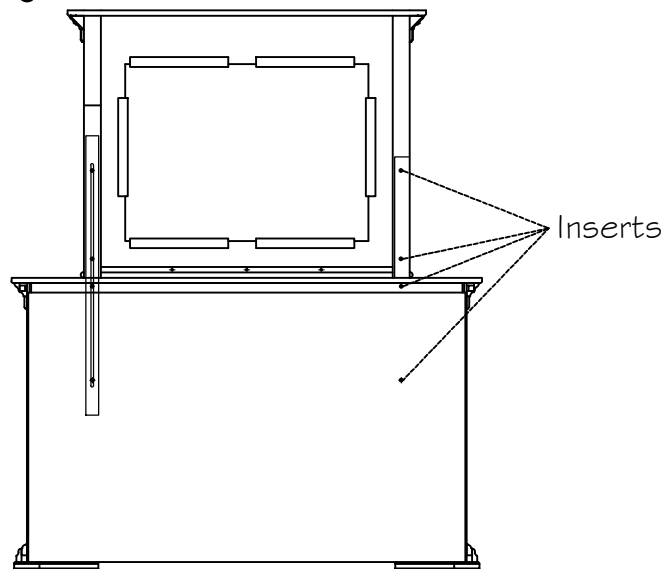


Fig. 3

