



DAVIS DIRECT**ASSEMBLY INSTRUCTION**

DVDR 5/0 UPH HEADBOARD
SKU 33316197 - HD 1619 - 690

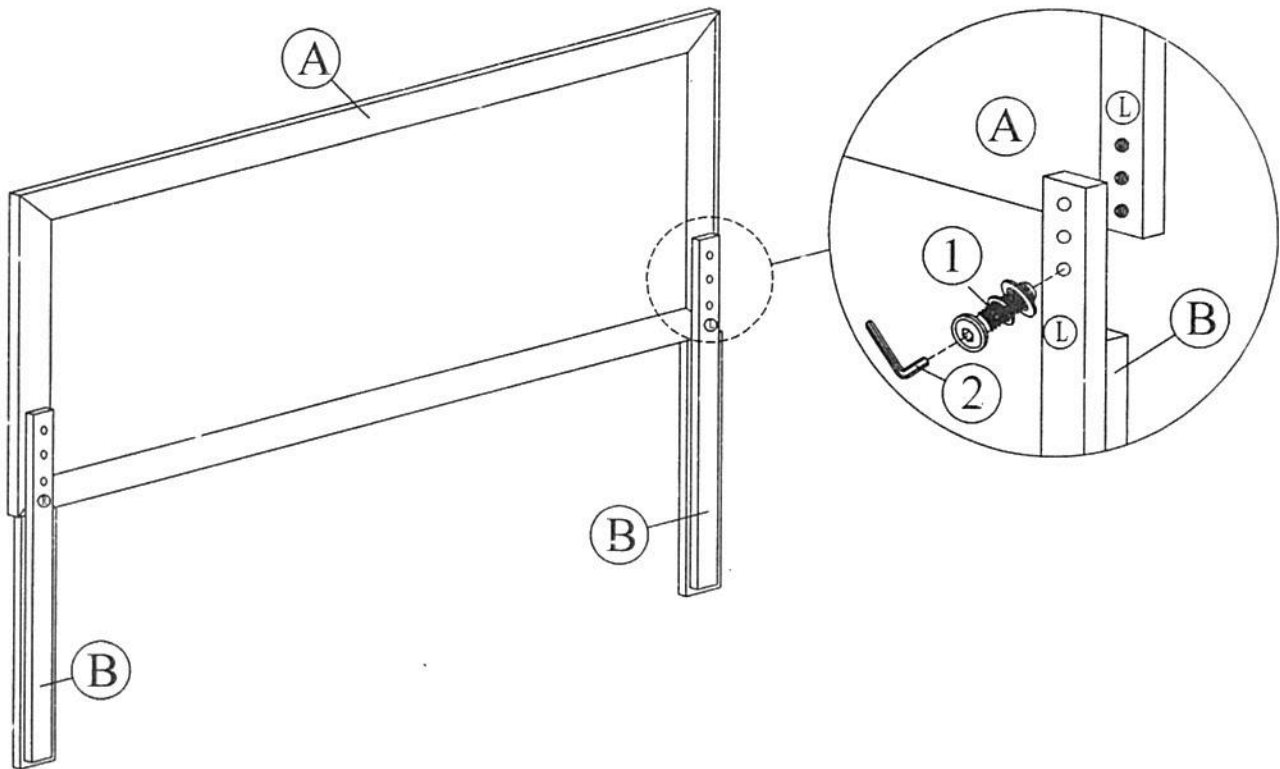
Thank you for purchasing this quality product. Be sure to check all packing material carefully for small parts, which may have come loose inside the carton during shipment. Identify and count all parts and compare with the parts list below:

	No.	Picture	Description	Dimension	Qty
Hardware List	①		JCBC (M6) with Spring Washer and Washer	M6 x P1.0 x 40mm	6 Pcs
	②		Allen Key (M4)	4 x 65mm	1 Pc
Part List	No.	Description			Qty
	A	Headboard Panel			1 Pc
	B	Left & Right Headboard Legs			2 Pcs

* Hardware Packed Inside Headboard.

Assembly Step**STEP 1**

Align Left & Right Headboard Legs to the Headboard Panel.

**ASSEMBLY TIPS:**

1. Remove hardware from box and sort by size.
2. Please check to see that all hardware and parts are present prior start of assembly.
3. Please follow attached instructions in the same sequence as numbered to assure fast and easy assembly.

▲ WARNING!

1. Don't attempt to repair or modify parts that are broken or defective. Please contact the store immediately.




ASSEMBLY INSTRUCTION

DAVIS DIRECT

DVDR 5/0 PANEL FOOTBOARD + SLAT
 DVDR 5/0 SIDE RAIL

SKU 33716195 - HD 1619 - 691
 SKU 33916199 - HD 1619 - 610

Thank you for purchasing this quality product. Be sure to check all packing material carefully for small parts, which may have come loose inside the carton during shipment. Identify and count all parts and compare with the parts list below:

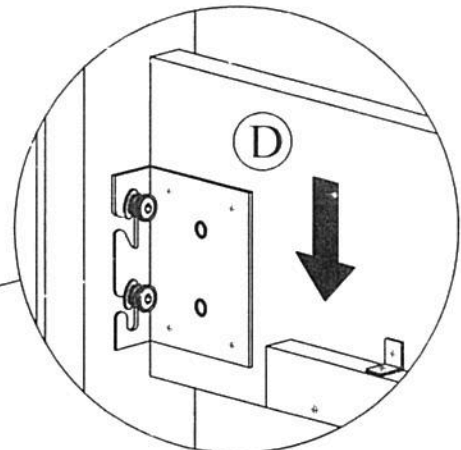
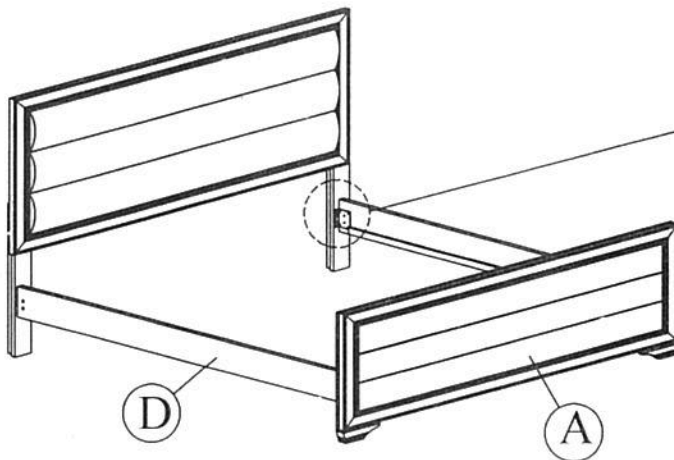
	No.	Picture	Description	Dimension	Qty
Hardware List	①		P/H Rattan Screw	32mm	8 Pcs
	②		JCBC (M8 RB) with Spring Washer and Washer	M8 x P1.25 x 25mm	8 Pcs
	③		Allen Key (M5)	5 x 65mm	1 Pc
Part List	No.	Description			Qty
	A	Footboard Panel			1 Pc
	B	Slats			4 Pcs
	C	Slat Support			4 Pcs
	D	Side Rails			2 Pcs

* Hardware Packed Inside Footboard.

Assembly Step

STEP 1

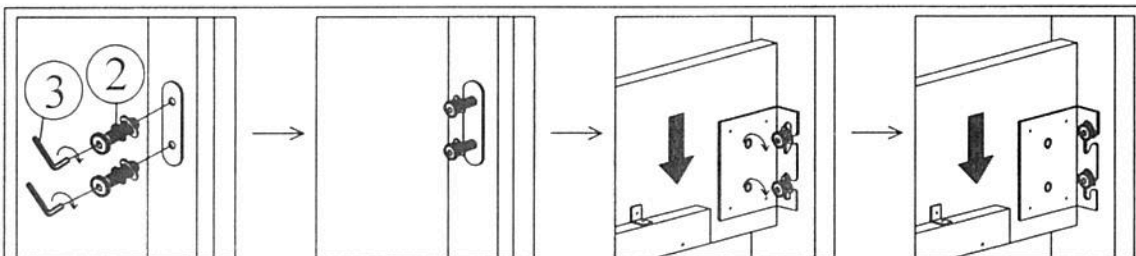
Hang Side Rails as shown . Slats place on the side rail marking.



Detail-A

Please note that the side rail are irreversible

COMPLETED ASSEMBLY

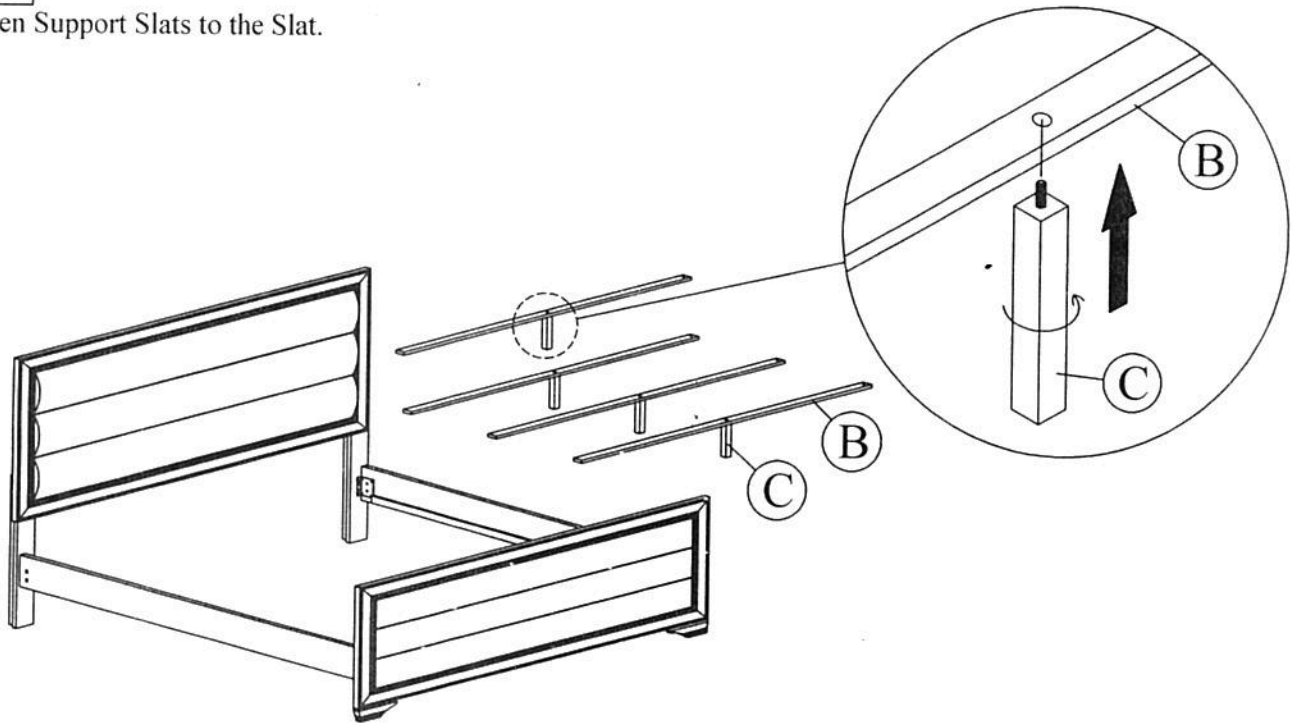


Detail-A

Assembly Step

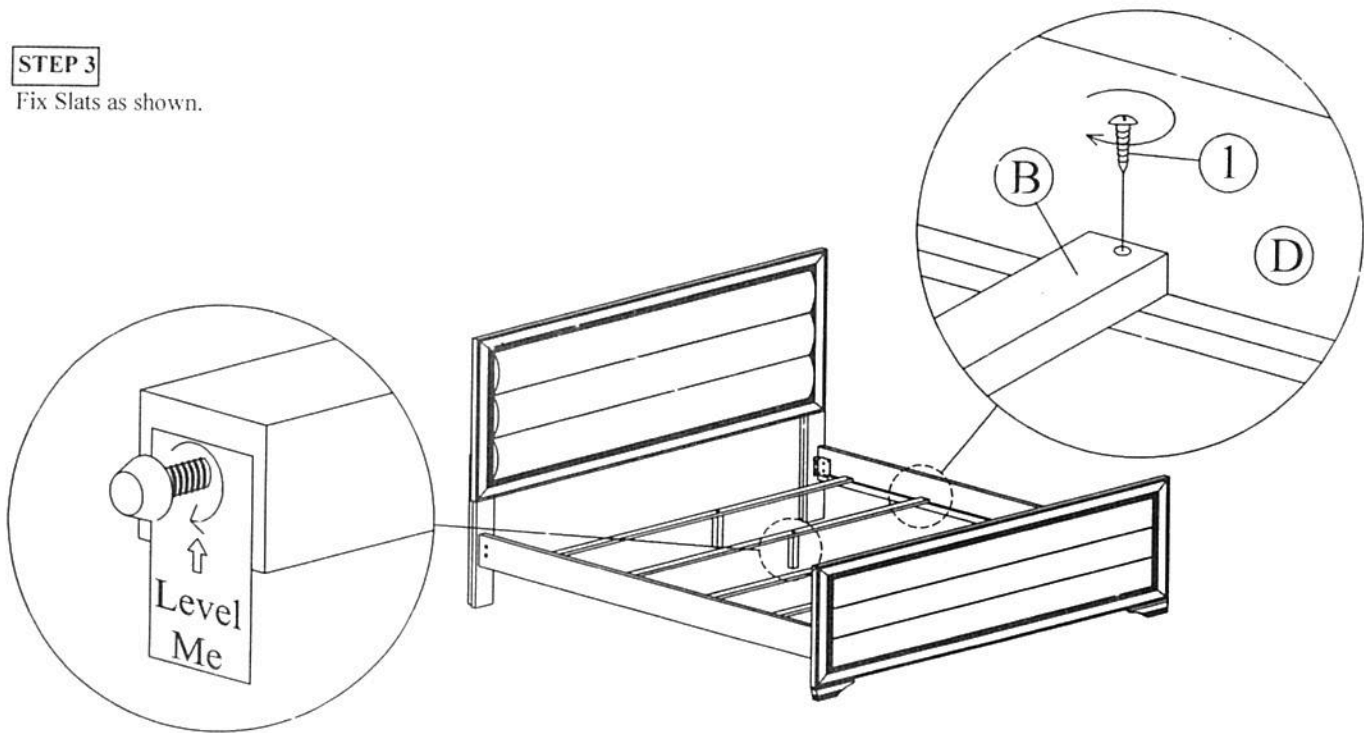
STEP 2

Fasten Support Slats to the Slat.



STEP 3

Fix Slats as shown.



ASSEMBLY TIPS:

1. Remove hardware from box and sort by size.
2. Please check to see that all hardware and parts are present prior start of assembly.
3. Please follow attached instructions in the same sequence as numbered to assure fast and easy assembly.

▲ WARNING!

1. Don't attempt to repair or modify parts that are broken or defective. Please contact the store immediately.
2. This product is for home use only and not intended for commercial establishments.