

Assembly Instructions

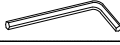
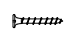
GINA 2236-3 QUEEN UPH HEADBOARD SKU# 32322365
 GINA 2236-7 QUEEN UPH FOOTBOARD SKU# 32722363
 GINA 2236-9 QUEEN/KING UPH SIDE RAIL SKU# 32922367
 GINA 2237-3 QUEEN UPH HEADBOARD SKU# 32322377
 GINA 2237-7 QUEEN UPH FOOTBOARD SKU# 32722375
 GINA 2237-9 QUEEN/KING UPH SIDE RAIL SKU# 32922379

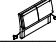

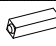
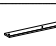




This product is manufactured by GINA for ROOMS TO GO ►

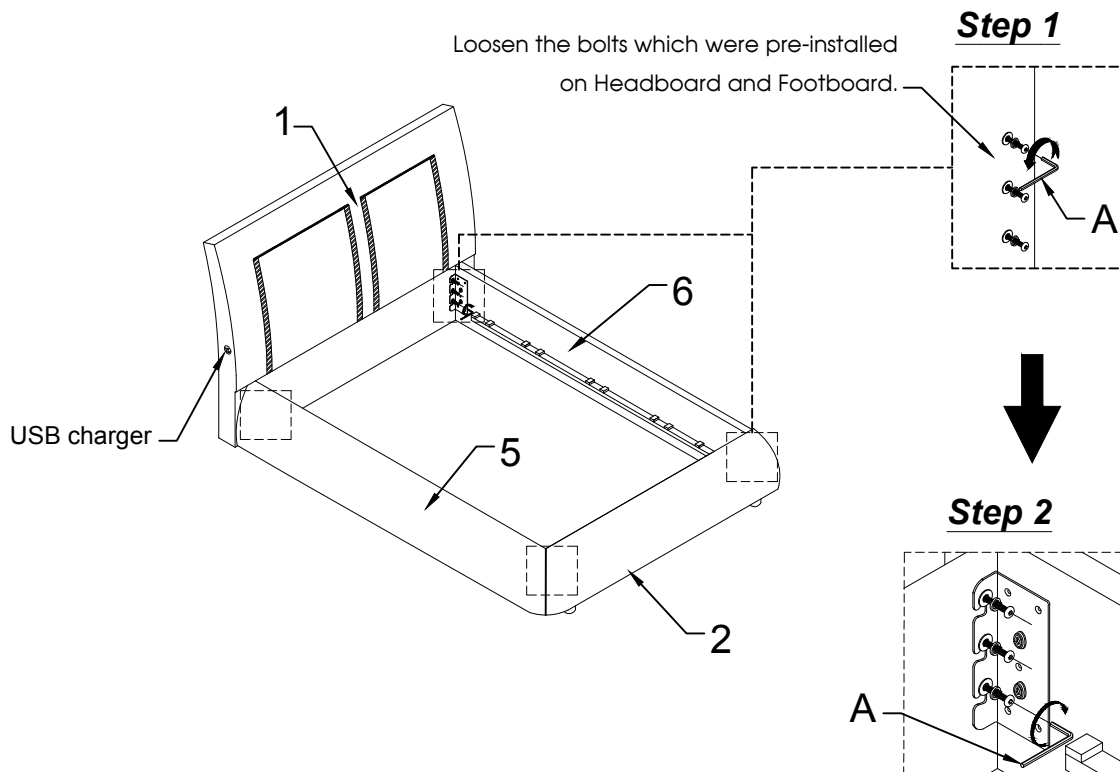
Thank you for purchasing this quality product. Be sure to check all packing material carefully for small parts, which may have come loose inside the carton during shipment. Identify and count all parts and compare with the HARDWARE LIST below.

Caution: Please read instructions thoroughly before unpacking assembly parts. Sharp, exposed staple tips can cause injury, therefore, for your protection, please remove any exposed staple used in packing.

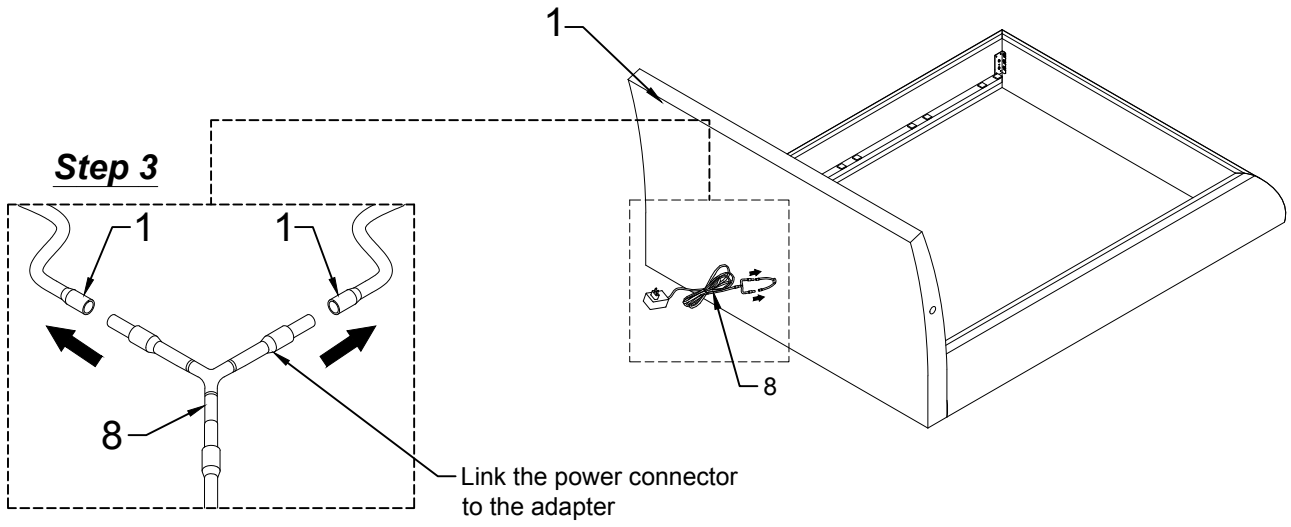
1. We recommend that you should assemble this product with the assistance of another person; this will make assembly easier, and will help to eliminate damage to the product or injury to persons during assembly.
2. Please do not over tighten screws or bolts until the assembly is completed.

NO:	HARDWARE LISTS	Q'TY
A	Allenkey(4 $\frac{m}{m}$ x32 x75) 	1
B	Screw (M4x1-1/4") 	10

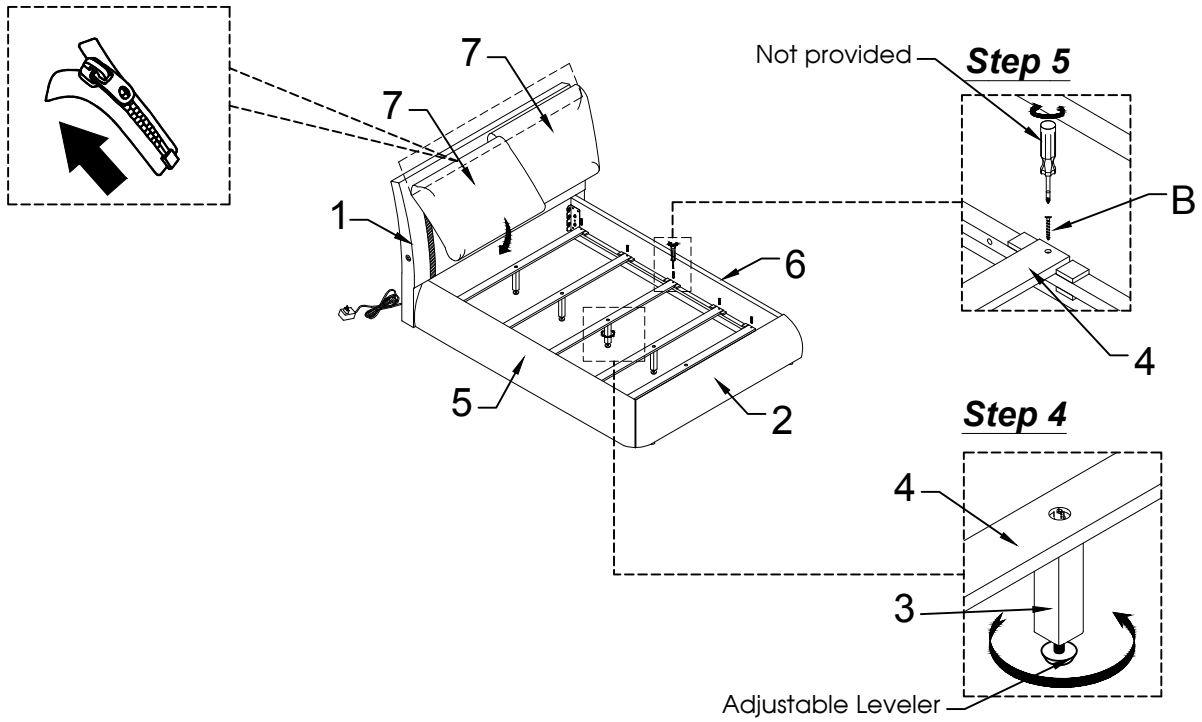
NO:	PARTS LISTS	Q'TY
1	Headboard 	1
2	Footboard 	1
3	Support Legs 	5
4	Slats 	5
5	Left Side Rails 	1
6	Right Side Rails 	1
7	Backrest Pillow 	2
8	Adapter 	1



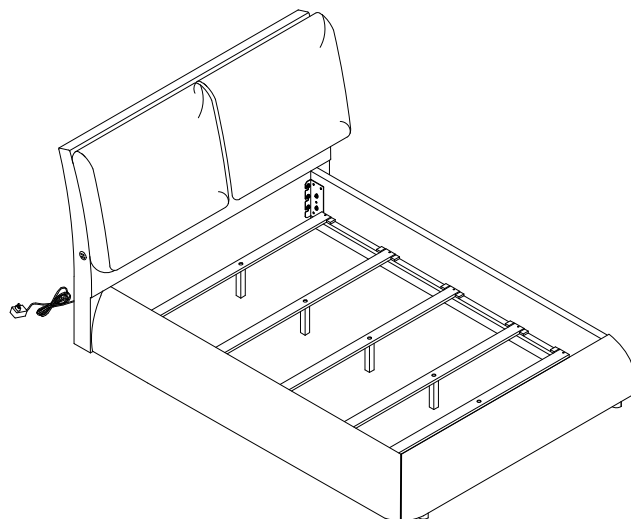
Hardware Pack Location(s) : GINA 2336-7 QUEEN UPH FOOTBOARD SKU# 32722363
 GINA 2337-7 QUEEN UPH FOOTBOARD SKU# 32722375



Step 6 - Attach the Pillow to the headboard then connecting them by the zipper



Complete



IMPORTANT SAFETY INSTRUCTIONS

WARNING

Misuse can result in FIRE or DEATH by ELECTRICAL SHOCK

ELECTRICAL RATING (12VDC / 4.0AMPERES)
Dongguan Shijie Hua Xu Electronics Factory
PART NUMBER (HX65C-1204000-AU)

Read all instructions before using this furnishing.

DANGER - To reduce the risk of electric shock

- Always unplug this furnishing from the electrical outlet before cleaning or servicing.

WARNING - To reduce the risk of burns, fire, electric shock, or injury to persons:

- Unplug from outlet before putting on or taking off parts.
- Never operate this furnishing if it has a damaged electrical cord or plug, if it is not working properly, or if the electrical cord or plug has been damaged or dropped into water. Stop using this furnishing and call a service center for examination and repair.
- Keep the electrical cord and plug away from heated surfaces and other heat sources.
- To disconnect, turn all controls to the off position, then remove plug from outlet.
- When operating, ensure that electrical cord is not under the base, legs, or motion mechanism to avoid damage to electrical cord or plug.
- Do not strain or stretch electrical cord.
- Do not use extension cords or power strips.
- Keep out of reach of children. This is not a toy.
- Plug directly into a compatible electrical socket.
- Do not modify the plug or use any adapters.

INSTRUCCIONES DE SEGURIDAD IMPORANTES

W A R N I N G

El mal uso puede provocar INCENDIO o MUERTE por DESCARGA ELÉCTRICA

CLASIFICACION ELECTTRICA (12VDC / 4.0AMPERES)

Dongguan Shijie Hua Xu Electronics Factory

PART NUMBER (HX65C-1204000-AU)

Leer todas las instrucciones antes de usar este mobiliario.

PELIGRO - Para reducir el riesgo de descarga electrica:

- . Siempre desenchufe este accesorio de la toma de corriente eléctrica antes de limpiarlo o repararlo.

ADVERTENCIA: para reducir el riesgo de quemaduras, incendios. descargas eléctricas o lesiones a personas:

- . Desenchufe del tomacorriente antes de colocar o quitar partes.
- . Nunca opere este accesorio si tiene un cable o enchufe eléctrico dañado, si no funciona correctamente, o si el cable o el enchufe eléctrico se ha dañado o se ha caído al agua. Deje de usar este equipamiento y llame a un centro de servicio para que lo examinen y lo reparen.
- . Mantenga el cable eléctrico y el enchufe lejos de superficies calientes y otras fuentes de calor.
- . Para desconectar, gire todos los controles a la posición de apagado, luego retire el enchufe del tomacorriente.
- . Al operar, asegúrese de que el cable eléctrico no esté debajo de la base, las patas o el mecanismo de movimiento para evitar dañar el cable eléctrico o el enchufe.
- . No fuerce ni estire el cable eléctrico.
- . No utilizar cables de extensión o tomas de corriente.
- . Mantener fuera del alcance de los niños. Esto no es un juguete.
- . Enchúfelo directamente a una toma de corriente compatible.
- . No modifique el enchufe ni utilice adaptadores.