



PNWD

# Assembly Instructions

Manufactured for  
Rooms To Go

2257-5UH QN UPH HEADBOARD

SKU# 32322579

2257-5F QN FOOTBOARD

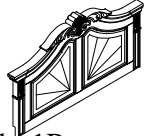
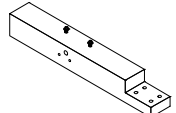
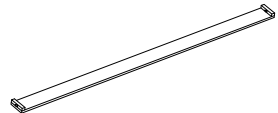
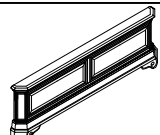
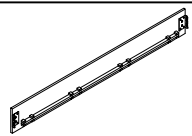
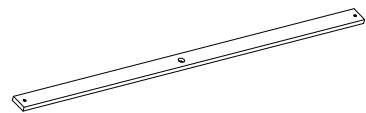
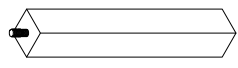
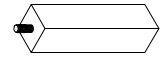
SKU# 32722577

2257-56R QN/KG RAILS

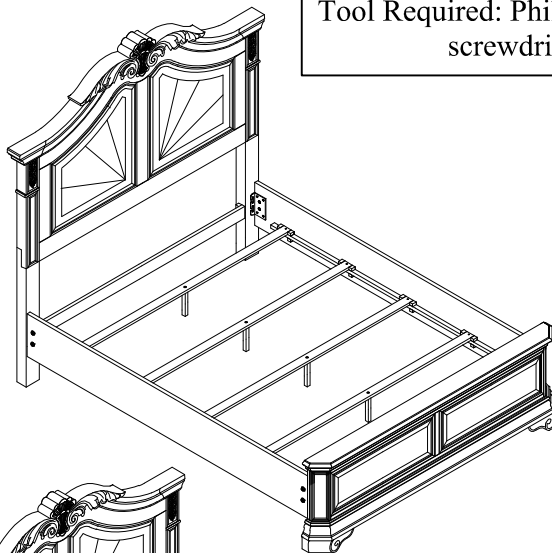
SKU# 32922571

Step	Code	Hardware	Q'TY
	A	Allen Key	1Pc
1	B	Bolt 5/16" x 18 x 1 5/8"	10Pcs
		Spring Washer 5/16" dia.	10Pcs
		Flat Washer 5/16" dia.	10Pcs
2	C	Wood Screws #8 x 1 1/4"	8Pcs

## PARTS LIST

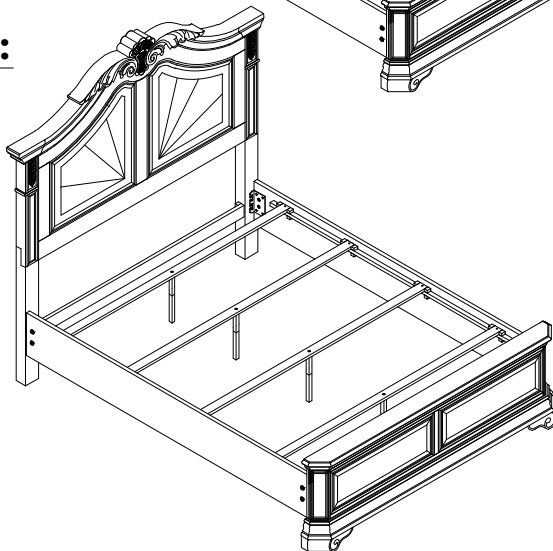
	1.Headboard - 1Pc
	2.HB Post - 2Pcs (L=1 R=1)
	3.HB Bottom Rail - 1Pc
	4.Footboard - 1Pc
	5.Side Rail - 2Pcs
	6.Slats - 4Pcs
	7.Long Support Leg - 4Pcs
	8.Short Support Leg - 4Pcs

### Option 1:



Tool Required: Phillips-head  
screwdriver not provided

### Option 2:



HARDWARE PACK LOCATION(S):  
PNWD

2257-5UH QN UPH HEADBOARD

SKU# 32322579



PNWD

# Assembly Instructions

Manufactured for  
Rooms To Go

2257-5UH QN UPH HEADBOARD

SKU# 32322579

2257-5F QN FOOTBOARD

SKU# 32722577

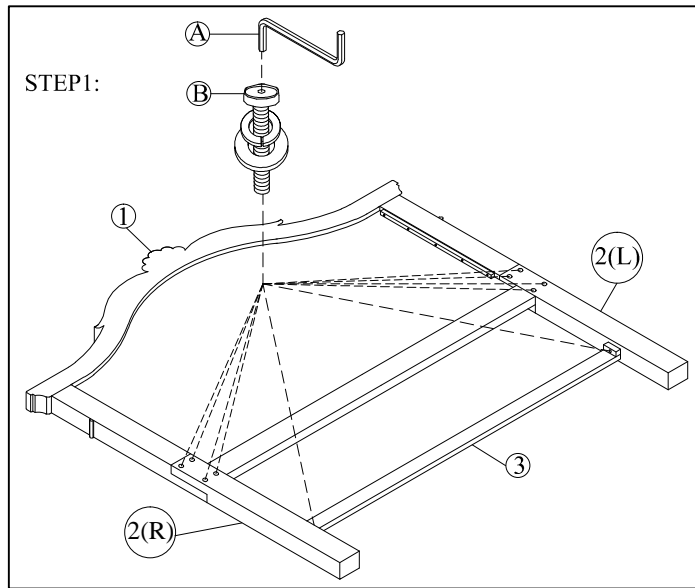
2257-56R QN/KG RAILS

SKU# 32922571

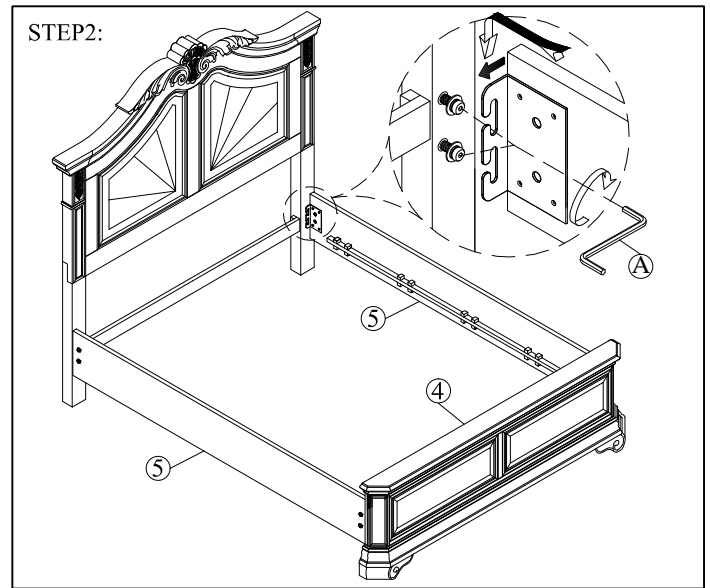
\*\*\*Cautions: Please read all instructions carefully before starting the assembly process. These parts are cumbersome and heavy. Therefore, two people are recommended in order to prevent personal injury and ensure the parts are not damaged during the assembly. There are 2 options to assemble this product. Please refer and follow 2 options as below.

## Option 1:

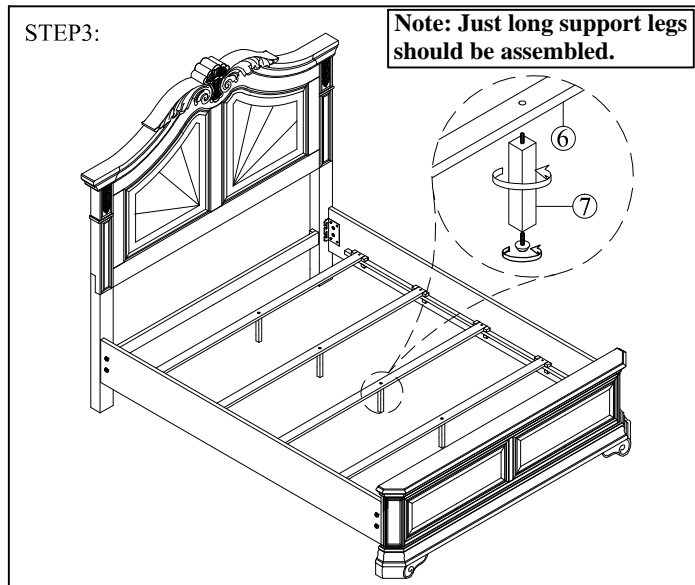
### The siderail cleats are at low position.



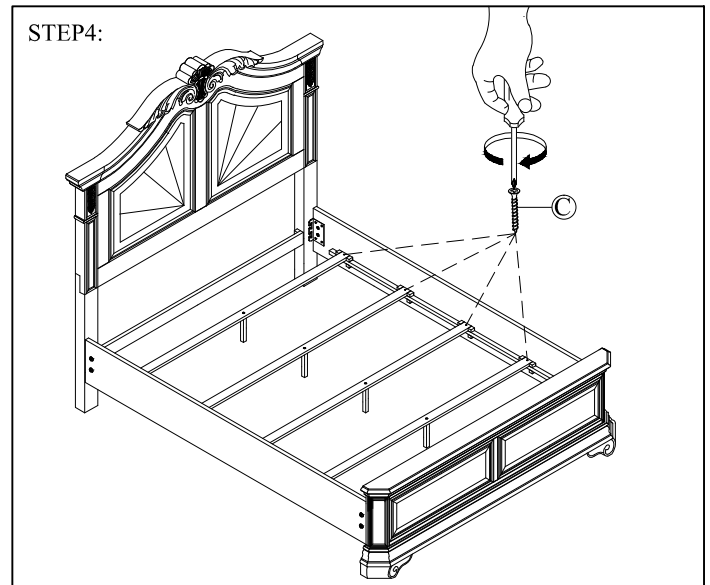
Attach Headboard post to Headboard panel, Assemble Headboard bottom rail to headboard posts.  
Note: Do not tighten all bolts until the HeadBoard is fully assembled.



Remove bolts from headboard and footboard then attach side rails to headboard and footboard with the bolts just take off.



Attach slats to the side rail cleat



Fasten slats. Assembly completed.



PNWD

# Assembly Instructions

Manufactured for  
Rooms To Go

2257-5UH QN UPH HEADBOARD

SKU# 32322579

2257-5F QN FOOTBOARD

SKU# 32722577

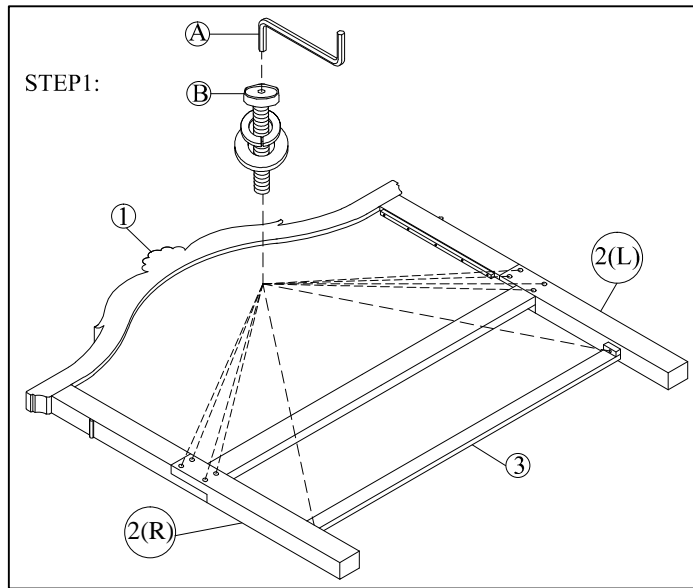
2257-56R QN/KG RAILS

SKU# 32922571

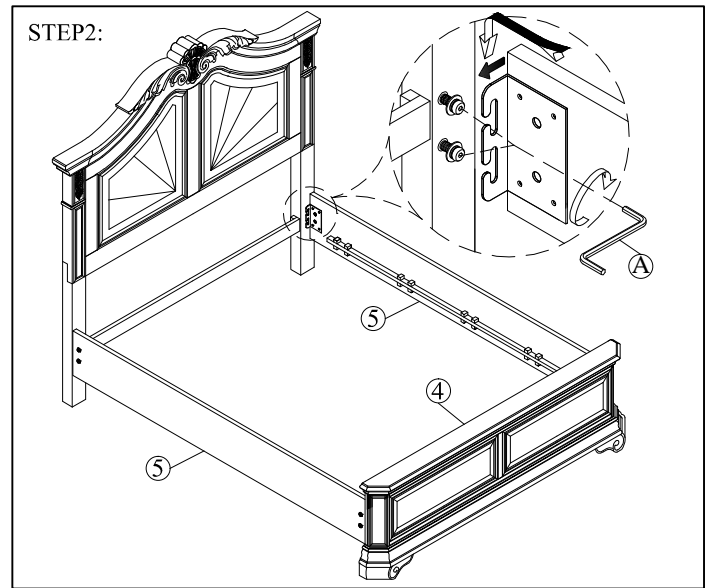
\*\*\*Cautions: Please read all instructions carefully before starting the assembly process. These parts are cumbersome and heavy. Therefore, two people are recommended in order to prevent personal injury and ensure the parts are not damaged during the assembly. There are 2 options to assemble this product. Please refer and follow 2 options as below.

## Option 1:

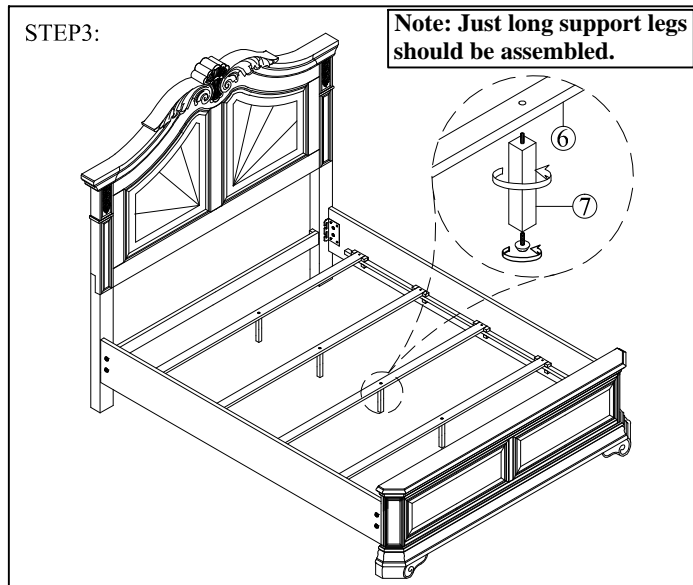
**The siderail cleats are at low position.**



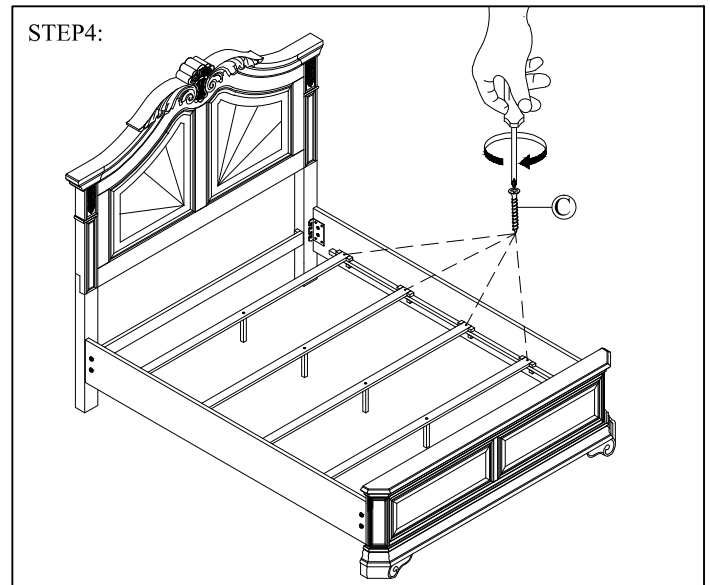
Attach Headboard post to Headboard panel, Assemble Headboard bottom rail to headboard posts.  
Note: Do not tighten all bolts until the HeadBoard is fully assembled.



Remove bolts from headboard and footboard then attach side rails to headboard and footboard with the bolts just take off.



Attach slats to the side rail cleat



Fasten slats. Assembly completed.