





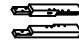



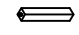
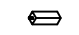



HOUS 2612-27H QUEEN BED-HEADBOARD
 2612-27F QUEEN BED-FOOTBOARD
 2612-27R QUEEN/KING BED-RAILS

SKU NO.: 32326123
 SKU NO.: 32726121
 SKU NO.: 32926125

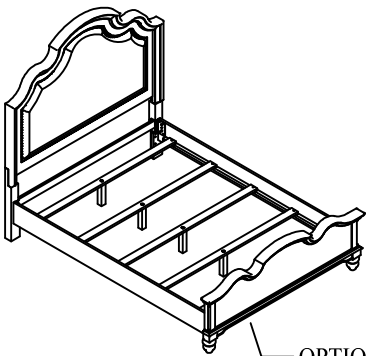
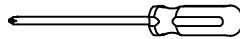
Thank you for purchasing this quality product. Be sure to check all packing material carefully for small parts, which may have come loose inside the carton during shipment. Identify and count all parts and compare with the part list below

Step	Code	Hardware	Q'TY
	A	 Allen Key 4x74x29mm	1Pc
1&2	B	 Bolt 1/4" x 15 x 54mm	10Pcs
		 Spring Washer 1/4" x 11 x 2mmT	10Pcs
		 Flat Washer 1/4" x 18 x 2mmT	10Pcs
5	C	 Long Screw Ø8 x 25mm	10Pcs

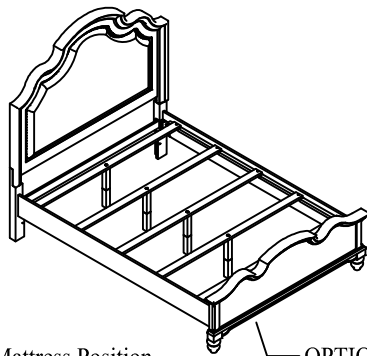
Step	Code	Parts List	Q'TY
1	1	Headboard 	1Pc
	2	Headboard Leg R/L 	2Pcs
2	3	Stretcher 	1Pc
3	4	Footboard 	1Pc
	5	Side Rails 	2Pcs
4	6	Long Slat Support Leg 	5Pcs
	7	Short Slat Support Leg 	5Pcs
5	8	Bed Slat 	5Pcs

TOOLS REQUIRED (NOT PROVIDED)

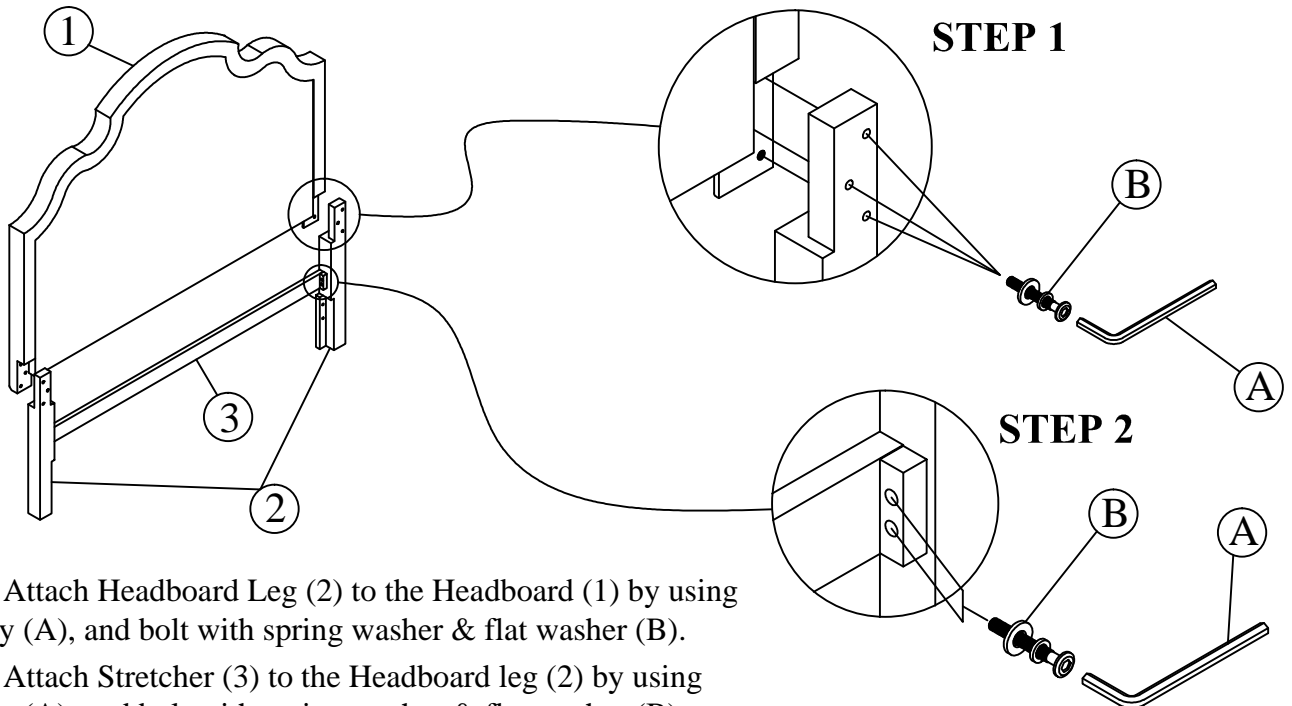
PHILLIPS SCREWDRIVER



OPTION 1: Low Mattress Position



OPTION 2: High Mattress Position



STEP 1: Attach Headboard Leg (2) to the Headboard (1) by using Allen key (A), and bolt with spring washer & flat washer (B).

STEP 2: Attach Stretcher (3) to the Headboard leg (2) by using Allen key (A), and bolt with spring washer & flat washer (B).

Hardware Pack Location:

QUEEN BED-HEADBOARD, SKU NO.: 32326123

HOUS 2612-27H QUEEN BED-HEADBOARD
 2612-27F QUEEN BED-FOOTBOARD
 2612-27R QUEEN/KING BED-RAILS

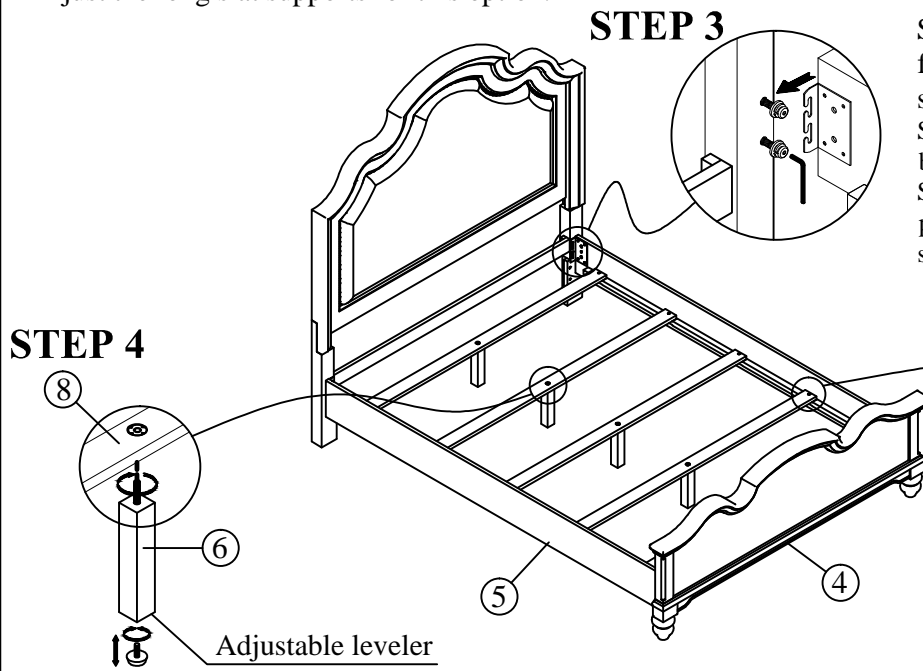
SKU NO.: 32326123
 SKU NO.: 32726121
 SKU NO.: 32926125

Thank you for purchasing this quality product. Be sure to check all packing material carefully for small parts, which may have come loose inside the carton during shipment. Identify and count all parts and compare with the part list below

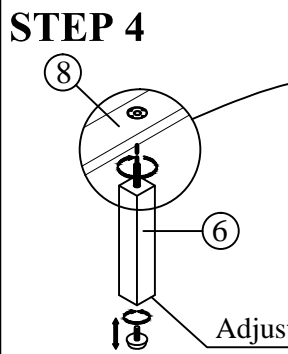
The reversible siderails can be set up 2 options for mattress position.

OPTION 1: The cleats support slat are at low position so that the mattress is at low position. You will need just the long slat supports for this option.

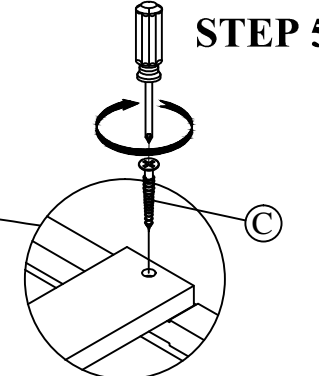
STEP 3



STEP 4



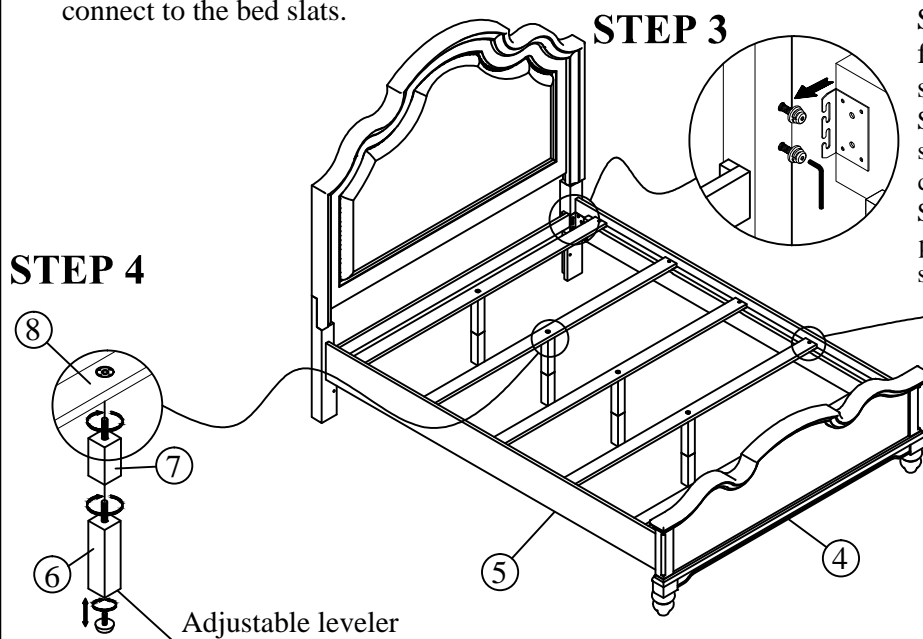
STEP 5



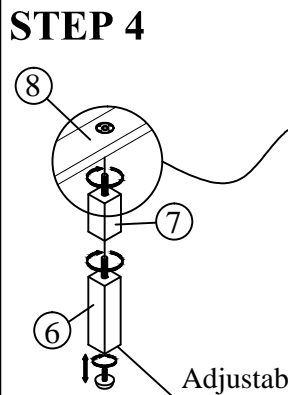
Step 3: Loose the hanger bolts first to made room for the hooks to engage. After the hooks are securely hang in place, tighten the hanger bolts.
 STEP 4: Attach Long slat support leg (6) to bed slat (8) by turning clockwise.
 STEP 5: Please use a screwdriver (not provided in package) to attach bed slat (8) to side rails (5) by using screw (C).

OPTION 2: The cleats support slat are high position so that the mattress is high position. You will need both long & short slat supports for this option. The long & short supports are connected together before connect to the bed slats.

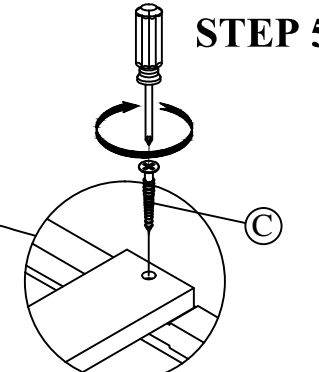
STEP 3



STEP 4



STEP 5



Step 3: Loose the hanger bolts first to made room for the hooks to engage. After the hooks are securely hang in place, tighten the hanger bolts.
 STEP 4: Connect Long slat support leg (6) & Short slat support leg (7), and attach them to bed slat (8) by turning clockwise.
 STEP 5: Please use a screwdriver (not provided in package) to attach bed slat (8) to side rails (5) by using screw (C).

CLEANING INSTRUCTION: Clear with a soft cloth and warm water with a diluted mild detergent. Follow with a soft cloth and clear water rinse . Then dry thoroughly with a soft cloth.