



HOUS 2636-27H QN UPH HEADBOARD
 2636-27F QN PANEL FOOTBOARD
 2636-27R QN / KG RAILS

SKU NO.: 32326363
 SKU NO.: 32726361
 SKU NO.: 32926365

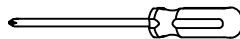
Version #1 - 2024/07/30

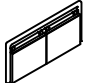

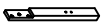
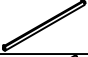
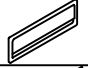

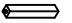


Thank you for purchasing this quality product. Be sure to check all packing material carefully for small parts, which may have come loose inside the carton during shipment. Identify and count all parts and compare with the part list below.

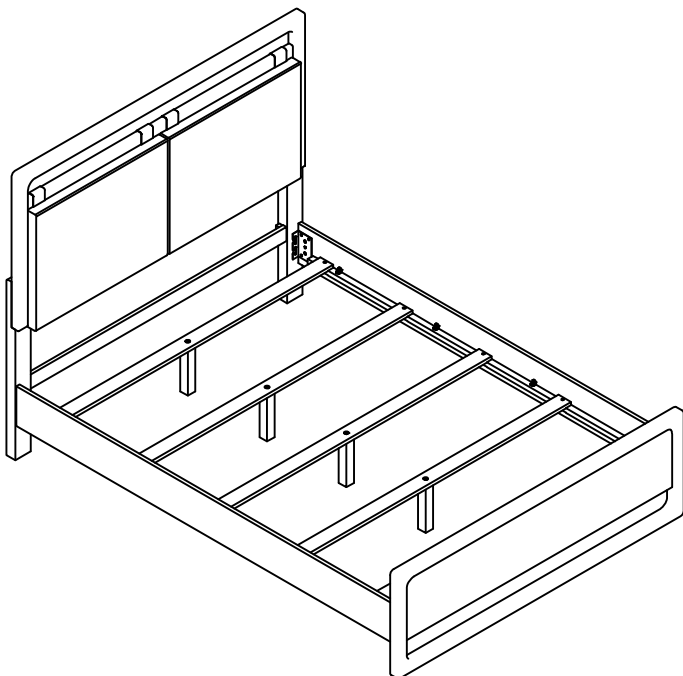
| Step | Code | Hardware | Q'TY |
|-------|------|---|-------|
| 1,2,3 | A |  Allen Key 4mm x 74mm x 29mm | 1Pc |
| 5 | B |  Screw Ø8mm x 30mm | 10Pcs |

TOOLS REQUIRED (NOT PROVIDED)

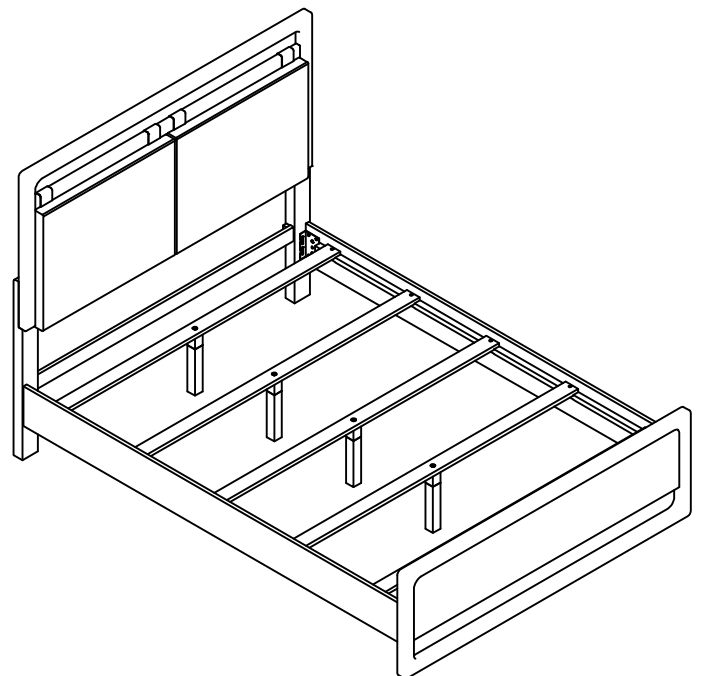
PHILLIPS SCREWDRIVER



| Step | Code | Parts List | Q'TY |
|------|------|--|------|
| 2 | 1 | Headboard  | 1Pc |
| 1&2 | 2 | Headboard post right  | 1Pc |
| 1&2 | 3 | Headboard post left  | 1Pc |
| 1 | 4 | Stretcher  | 1Pc |
| 3 | 5 | Footboard  | 1Pc |
| 3 | 6 | Side rails  | 2Pcs |
| 4 | 7 | Long support leg  | 5Pcs |
| 4 | 8 | Short support leg  | 5Pcs |
| 5 | 9 | Slat  | 5Pcs |



OPTION 1: Low Mattress Position



OPTION 2: High Mattress Position

Hardware Pack Location:

2636-27H HEADBOARD, SKU NO.: 32326363

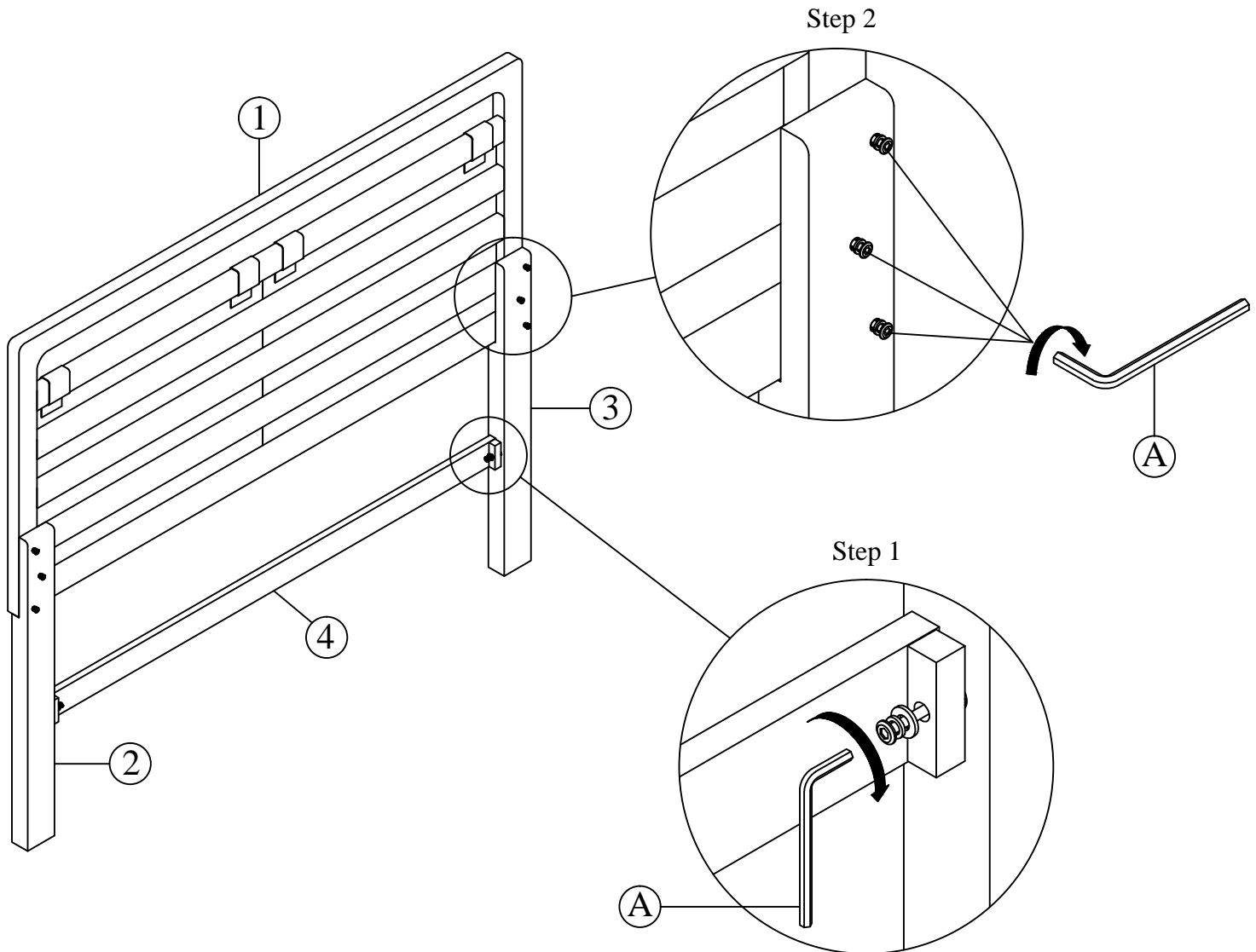
2636-27F FOOTBOARD, SKU NO.: 32726361

HOUS 2636-27H QN UPH HEADBOARD
2636-27F QN PANEL FOOTBOARD
2636-27R QN / KG RAILS

SKU NO.: 32326363
SKU NO.: 32726361
SKU NO.: 32926365

Version #1 - 2024/07/30

Thank you for purchasing this quality product. Be sure to check all packing material carefully for small parts, which may have come loose inside the carton during shipment. Identify and count all parts and compare with the part list below.



Remark: The bolts were pre-installed on headboard post left, headboard post right and stretcher.

Step 1: Attach stretcher (4) to the headboard post left (3) and headboard post right (2) by using allen key (A) tighten the bolts.

Step 2: Attach headboard post left (3) and headboard post right (2) to the headboard (1) by using allen key (A) tighten the bolts.

CLEANING INSTRUCTION: Clear with a soft cloth and warm water with a diluted mild detergent. Follow with a soft cloth and clear water rinse . Then dry thoroughly with a soft cloth.

HOUS 2636-27H QN UPH HEADBOARD
 2636-27F QN PANEL FOOTBOARD
 2636-27R QN / KG RAILS

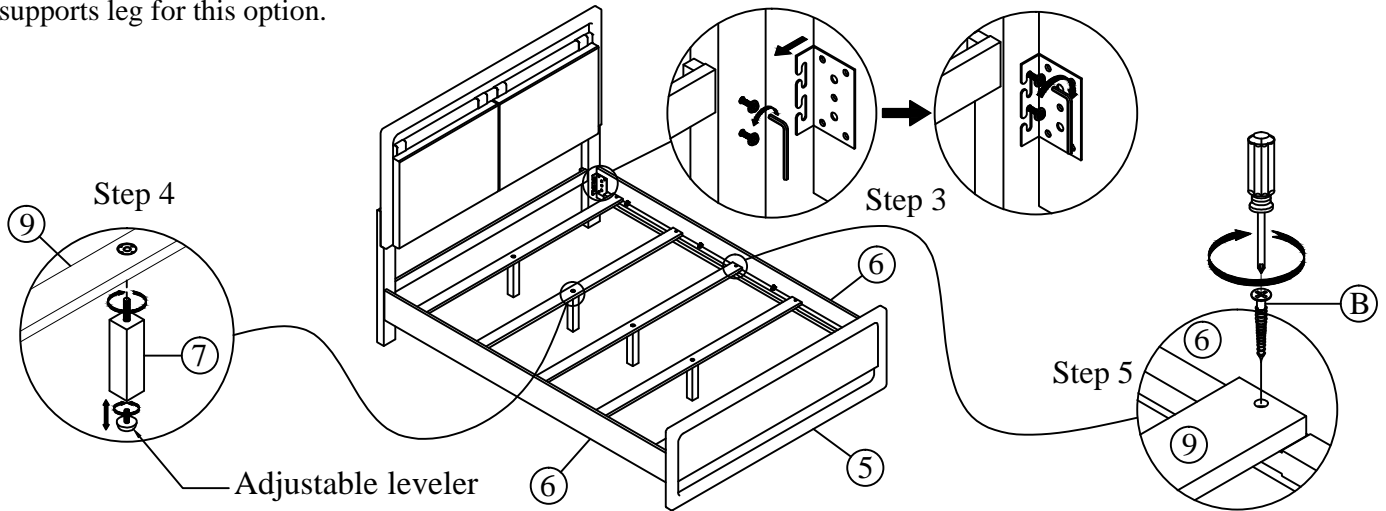
SKU NO.: 32326363
 SKU NO.: 32726361
 SKU NO.: 32926365

Version #1 - 2024/07/30

Thank you for purchasing this quality product. Be sure to check all packing material carefully for small parts, which may have come loose inside the carton during shipment. Identify and count all parts and compare with the part list below.

The reversible siderails can be set up 2 options for mattress position.

OPTION 1: The cleats support slat are at low position so that the mattress is at low position. You will need just the long supports leg for this option.

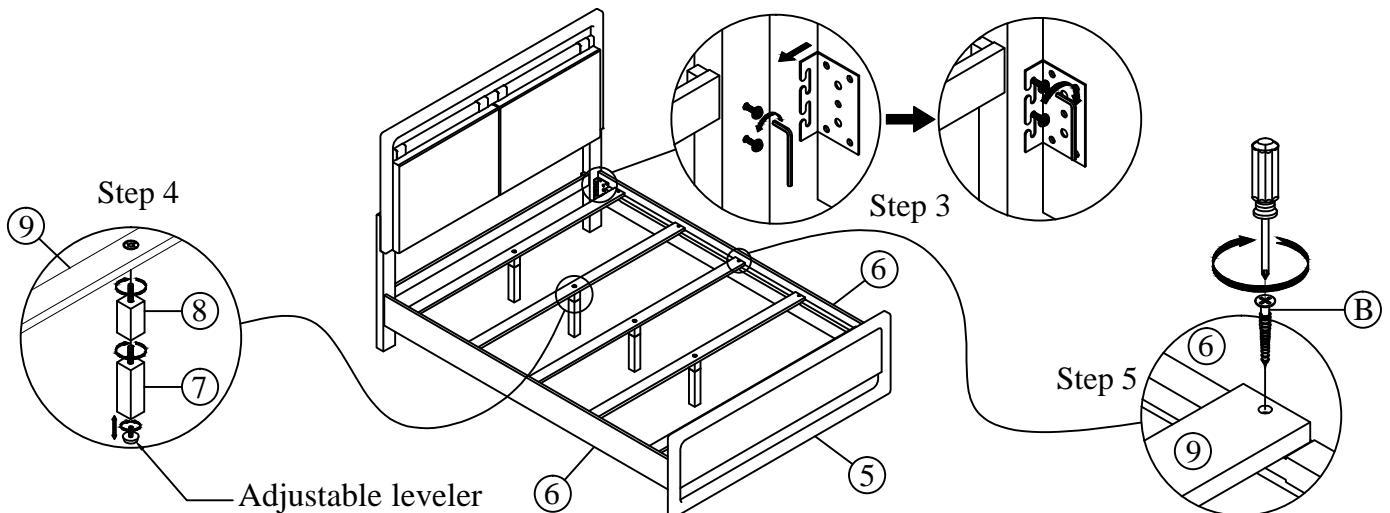


Step 3: Loose the hanger bolts first to make room for the hooks to engage. After the hooks are securely hang in place, tighten the hanger bolts.

Step 4: Attach long support leg (7) to slat (9) by turning clockwise.

Step 5: Please use a screwdriver (not provided in package) to attach slat (9) to side rails (6) by using screw (B).

OPTION 2: The cleats support slat are high position so that the mattress is high position. You will need both long & short supports leg for this option. The long & short supports leg are connected together before connect to the bed slats.



Step 3: Loose the hanger bolts first to make room for the hooks to engage. After the hooks are securely hang in place, tighten the hanger bolts.

Step 4: Connect long support leg (7) & short support leg (8), and attach them to slat (9) by turning clockwise.

Step 5: Please use a screwdriver (not provided in package) to attach slat (9) to side rails (6) by using screw (B).

CLEANING INSTRUCTION: Clear with a soft cloth and warm water with a diluted mild detergent. Follow with a soft cloth and clear water rinse . Then dry thoroughly with a soft cloth.