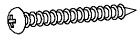

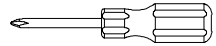
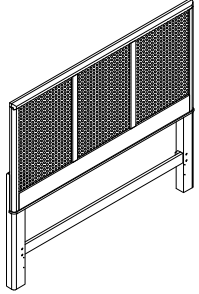
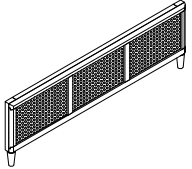
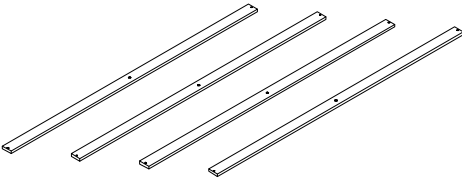
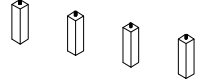
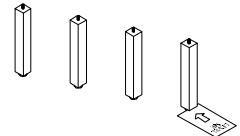
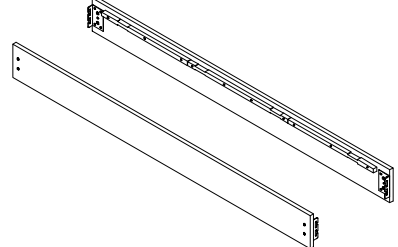


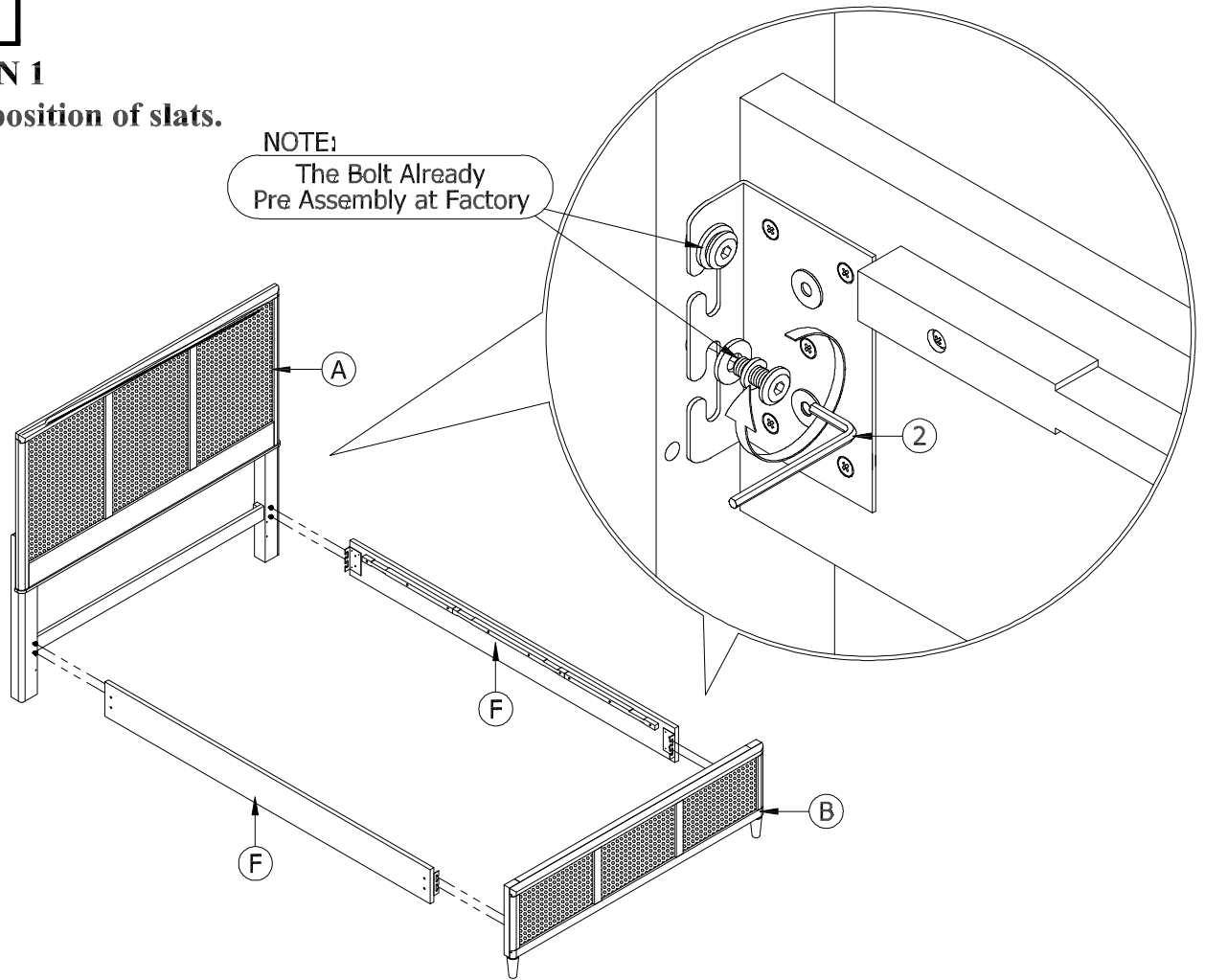
Thank you for purchasing this quality product. Be sure to check all packing material carefully for small parts, which may have come loose inside the carton during shipment. Identify and count all parts and compare with the Part List below

Hardware List	No.	Picture	Description	Dimension	Qty
	1		Screw	Ø8 mm x 1-1/4"	8 Pcs
	2		L - Allen Wrench	#5 mm	1 Pc
	3		Phillips Head Screwdriver ( Not Included )		
Part List	No.	Description			Qty
Headboard	A				1 Pc
	B				1 Pc
Footboard	C				4 Pcs
	D				4 Pcs
	E				4 Pcs
Side Rail	F				2 Pcs

**STEP 1**

**OPTION 1**

**Upper position of slats.**

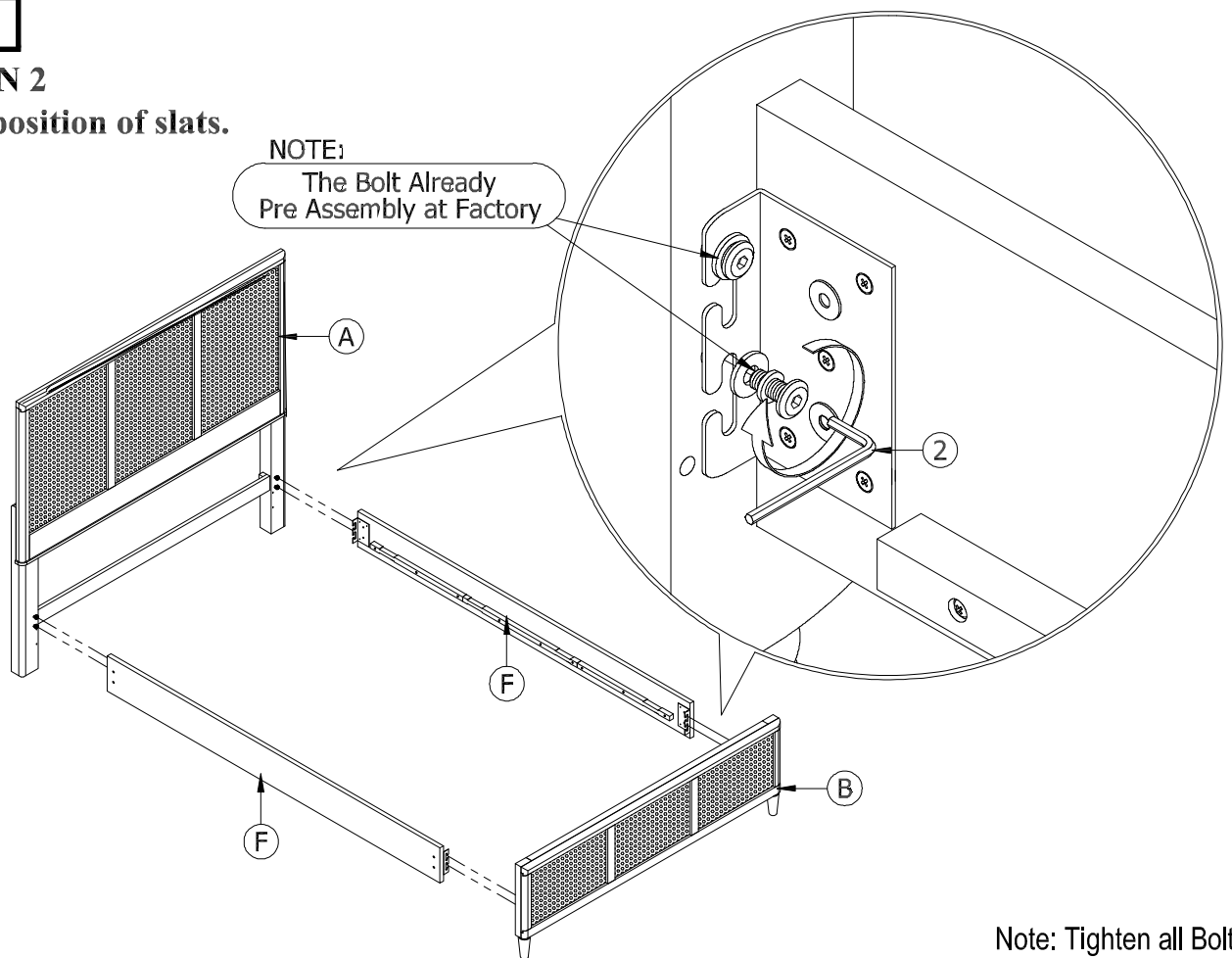


Note: Tighten all Bolts

**STEP 1**

**OPTION 2**

**Lower position of slats.**

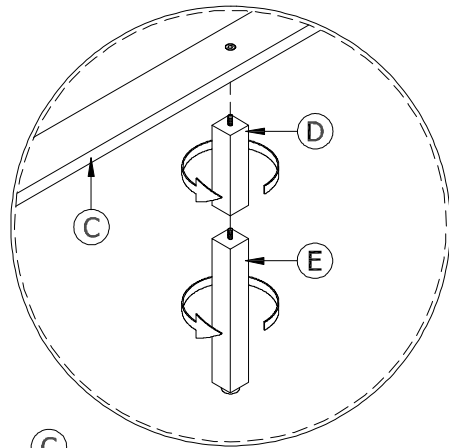
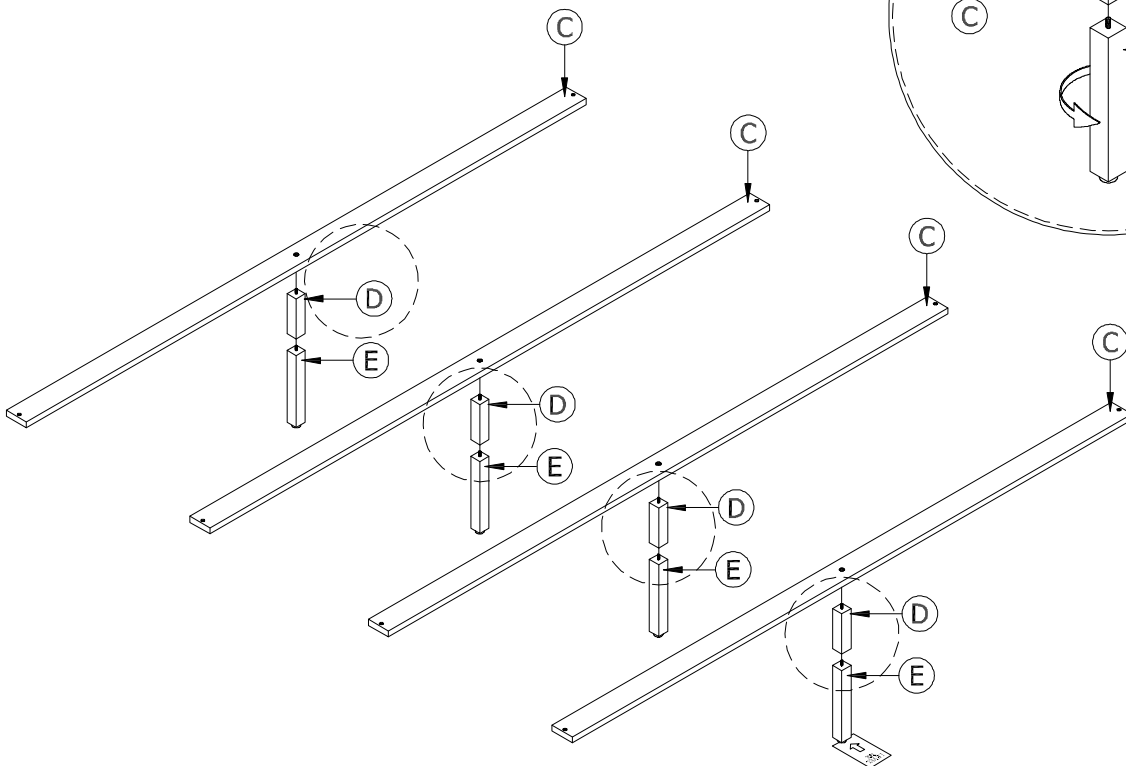


Note: Tighten all Bolts

**STEP 2**

**OPTION 1**

**Upper position of slats.**

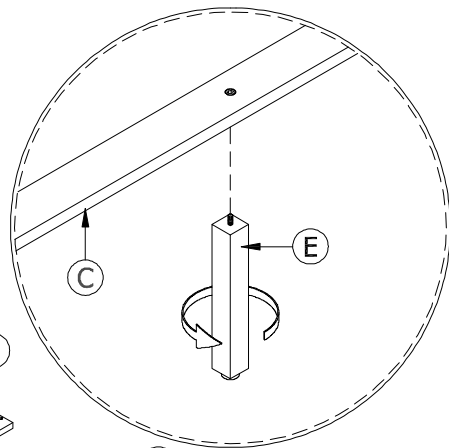
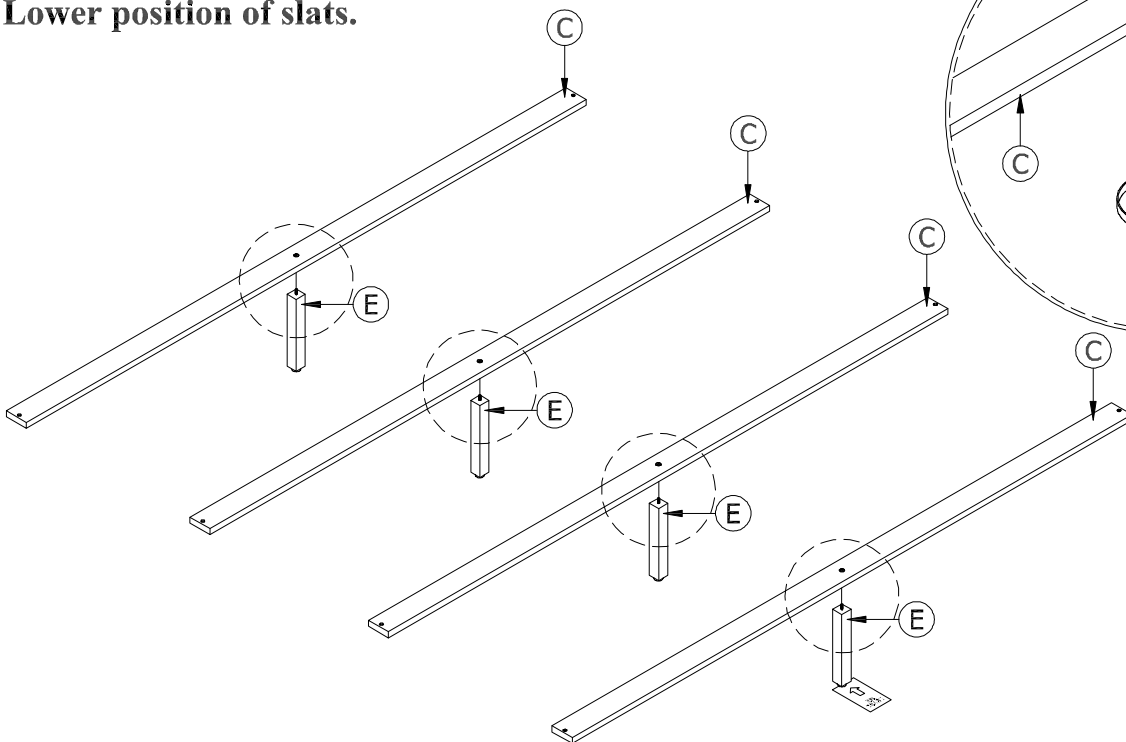


Note: Tighten all Parts

**STEP 2**

**OPTION 2**

**Lower position of slats.**

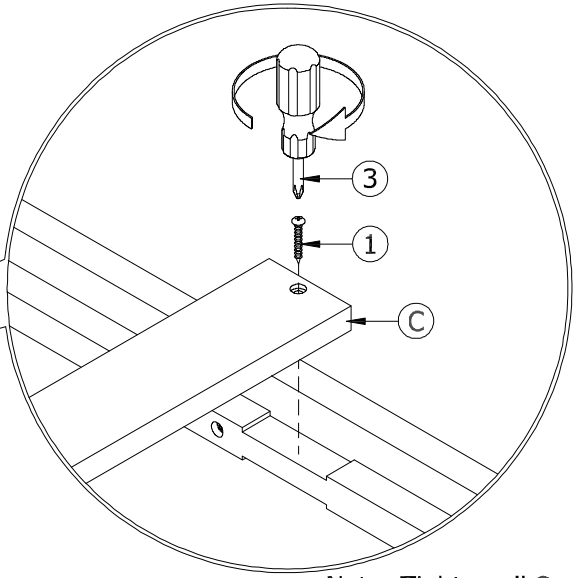
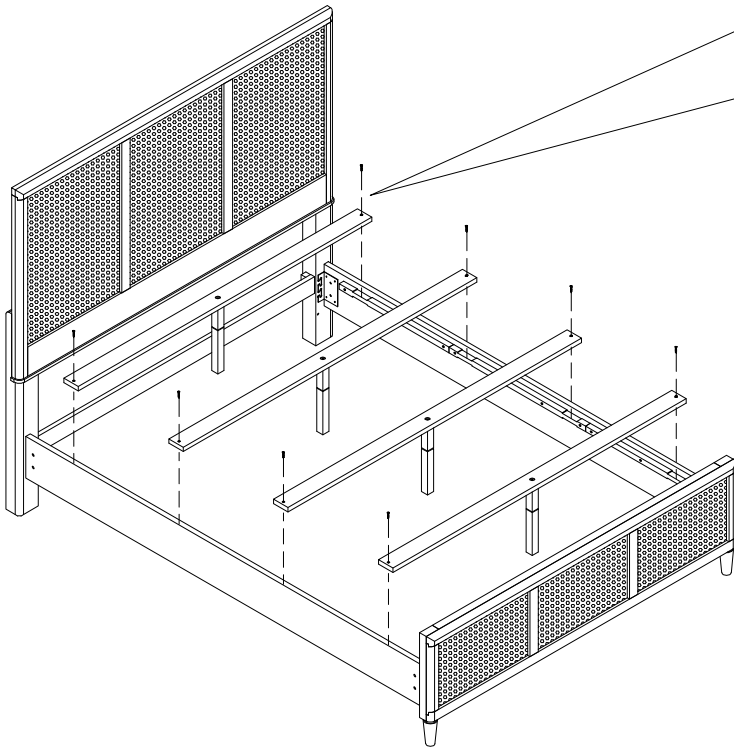


Note: Tighten all Parts

**STEP 3**

**OPTION 1**

**Upper position of slats.**

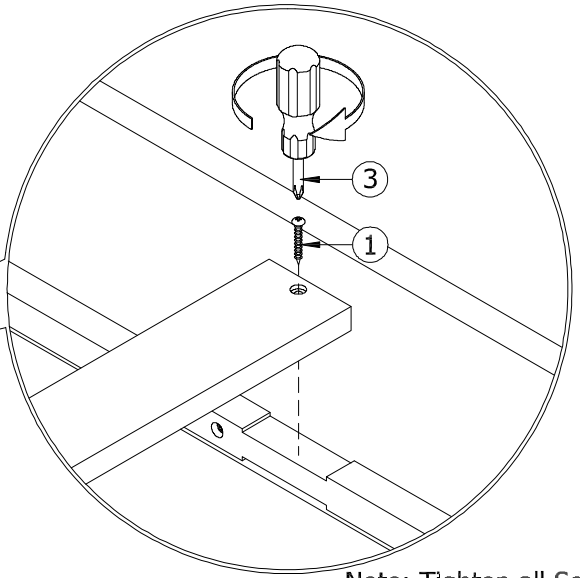
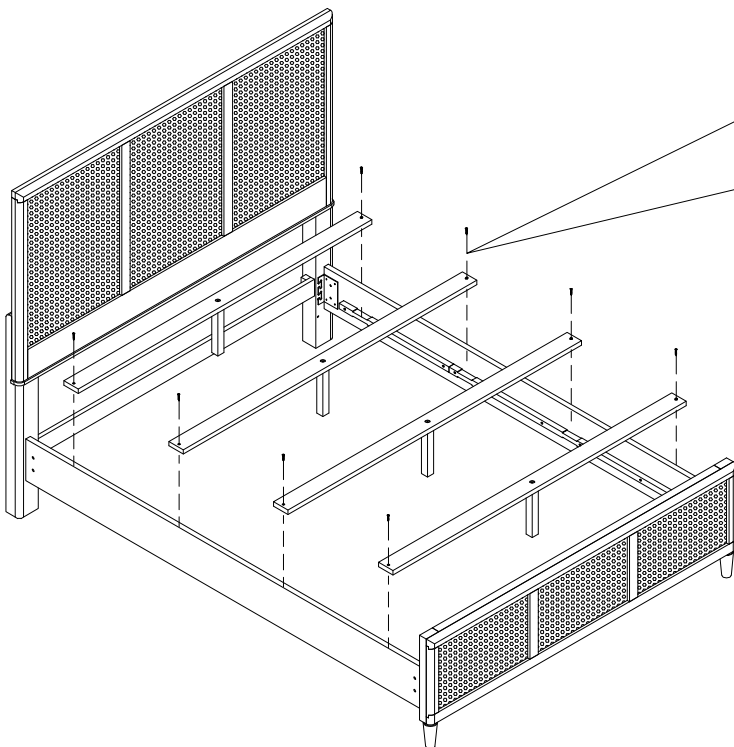


Note: Tighten all Screws

**STEP 3**

**OPTION 2**

**Lower position of slats.**

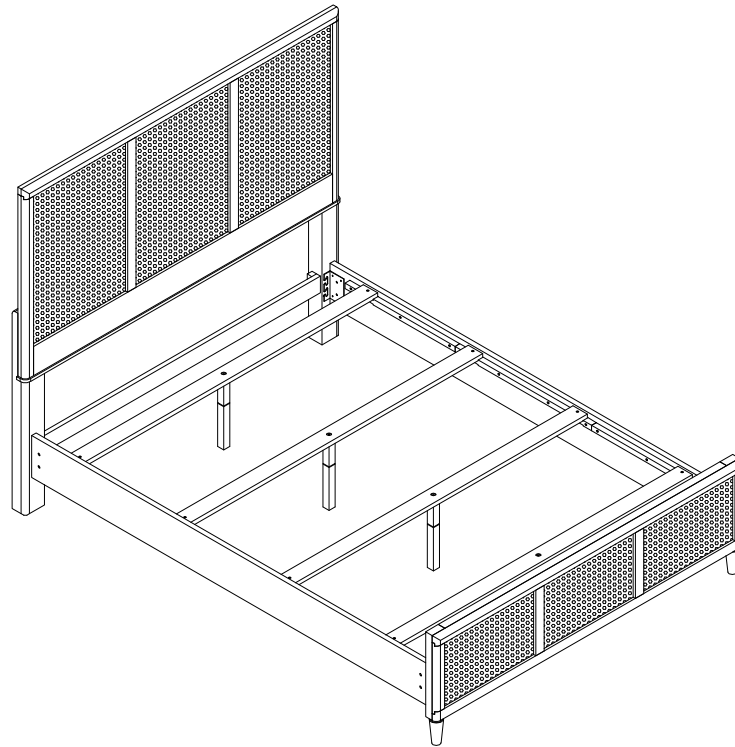


Note: Tighten all Screws

ASSEMBLY COMPLETE

**OPTION 1**

**Upper position of slats.**



ASSEMBLY COMPLETE

**OPTION 2**

**Lower position of slats.**

