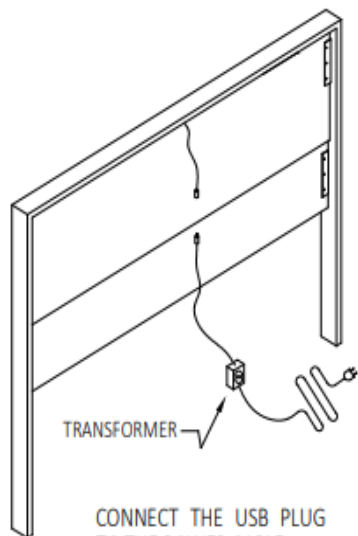
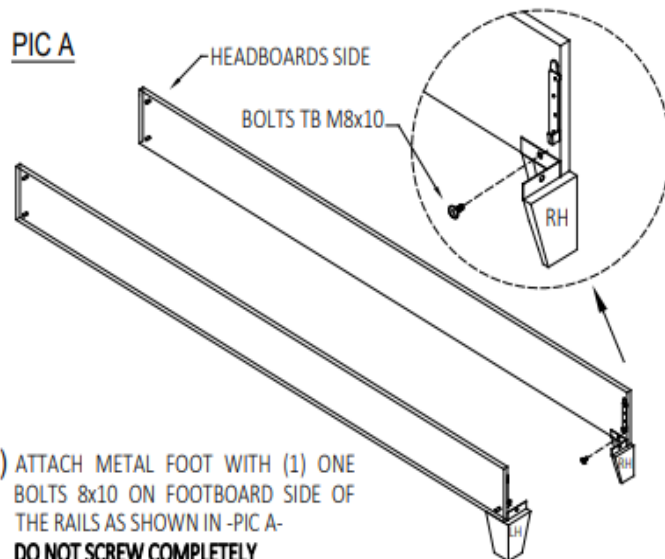
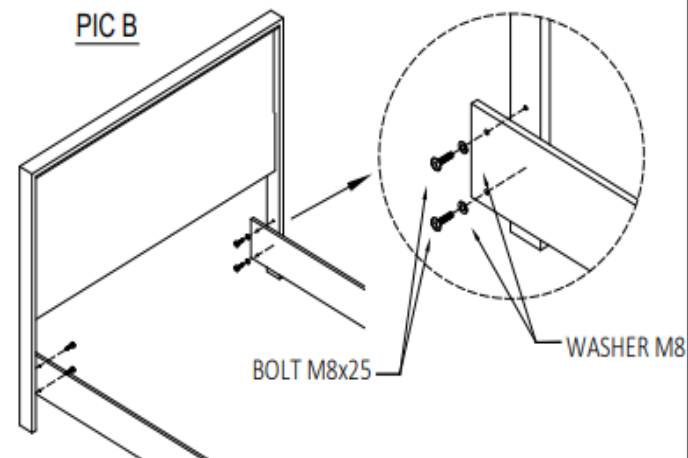
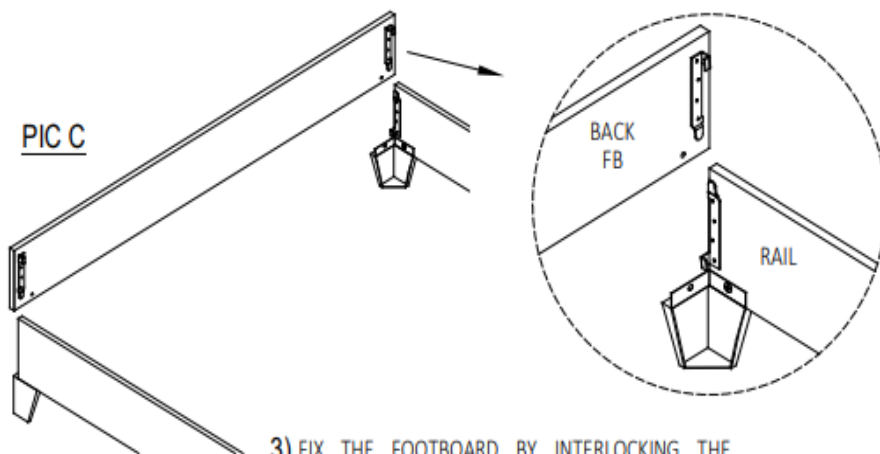


IDEAITALIARTG 32333661 32433663
32733669 33833662**CORONA_LUNA****BED ASSEMBLY****PIC A**

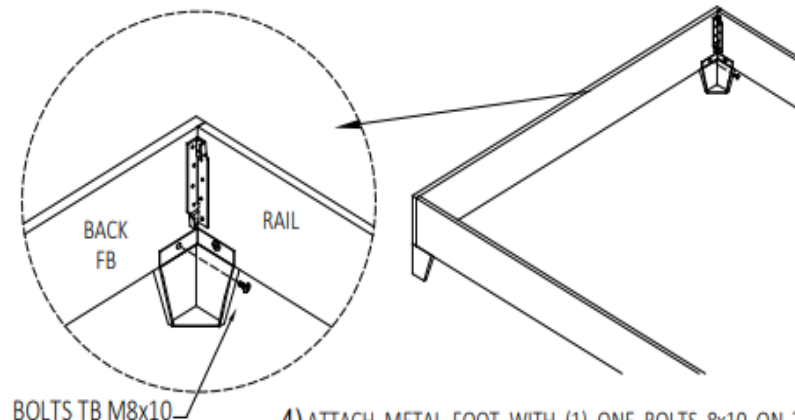
- 1) ATTACH METAL FOOT WITH (1) ONE BOLTS 8x10 ON FOOTBOARD SIDE OF THE RAILS AS SHOWN IN -PIC A-
DO NOT SCREW COMPLETELY

PIC B

- 2) ALIGN HEADBOARD TO SIDE RAILS AND FIX WITH (2) TWO BOLTS M8x25 AND TWO WASHER M8 PER EACH SIDE AS SHOWN IN -PIC B-

PIC C

- 3) FIX THE FOOTBOARD BY INTERLOCKING THE BAYONETS TOGETHER AS SHOWN IN -PIC C-



- 4) ATTACH METAL FOOT WITH (1) ONE BOLTS 8x10 ON THE FOOTBOARD AS SHOWN IN -PIC D-.
TIGHTEN ALL SCREWS COMPLETELY

PARTS LISTn°1
TRANSFORMERn°4
BOLTS M8x25
(HEADBOARD)n°4
WASHER M8
(HEADBOARD)n°4
BOLTS M8x10
(FEET)n°1
LEFT FOOTn°1
RIGHT FOOT