

ASSEMBLY INSTRUCTION

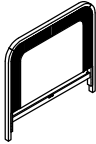
PULA: 3372-170 - QN PANEL HEADBOARD
 PULA: 3372-174- QN STORAGE FOOTBOARD
 PULA: 3372-172 - QN/KG RAILS

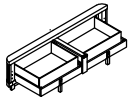

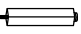
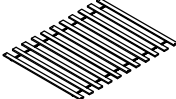
SKU: 32333724
 SKU: 33733723
 SKU: 32933726



Version#1 - 05/15/2024

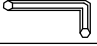


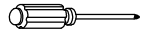
This product is manufactured by PULA for **Rooms To Go**

*** Caution: Please read all instructions carefully before starting the assembly process. These parts are cumbersome and heavy Therefore, two people are recommended in order to prevent personal injury and ensure the parts are not damaged during the assembly
 *** Remark: DO NOT fully tighten all bolts until assembly is completed.

| Code | PARTS LIST OF 3372-170 | | |
|------|------------------------|-----------------------------------------------------------------------------------|-----|
| 1 | Headboard |  | 1Pc |

| Code | PARTS LIST OF 3372-174 | | |
|------|------------------------|------------------------------------------------------------------------------------|------|
| 2 | Storage Footboard |  | 1Pc |
| 3 | Slats Support |  | 1Pc |
| 4 | Support Leg |  | 3Pcs |
| 5 | Slat Rolls (11Pcs) |  | 1Set |

| Code | PARTS LIST OF 3372-172 | | |
|------|------------------------|-------------------------------------------------------------------------------------|-----|
| 6 | Left Rail |  | 1Pc |
| 7 | Right Rail |  | 1Pc |

| HARDWARE OF 3372-170 | | | |
|------------------------------|------------------------------------------------------------------------------------|---------------------|------|
| Code | HARDWARE LIST | | |
| A |  | Allen Key 4mm | 1Pc |
| HARDWARE OF 3372-174 | | | |
| B |  | Allen Key 4mm | 1Pc |
| C |  | #8 x 1" Screw | 6Pcs |
| Tool Required (not provided) | | | |
| |  | Phillip Screwdriver | |

STEP 1: Assemble the Side Rails to the Headboard. Use a allen key to tight the nut. Similarly, install the Side Rails for the Footboard.

STEP 2: Assemble the Support Leg to the Slat Support . When installing, the Slat support needs to be tightened to fit your hand and adjust leveler on Support Legs for balance.

STEP 3: Attach the Slat Support to Headboard and Storage Footboard.

STEP 4: Place the Slat in the correct position on Side Rails. Then use a screwdriver to screw Slats into the Side Rails to secure it. Screwdriver (Not Provided) .

**Hardware Pack Location (S): 3372-170 Qn Panel Headboard - SKU# 32333724
 3372-174 Qn Storage Footboard - SKU# 33733723**

ASSEMBLY INSTRUCTION

PULA: 3372-170 - QN PANEL HEADBOARD
 PULA: 3372-174- QN STORAGE FOOTBOARD
 PULA: 3372-172 - QN/KG RAILS

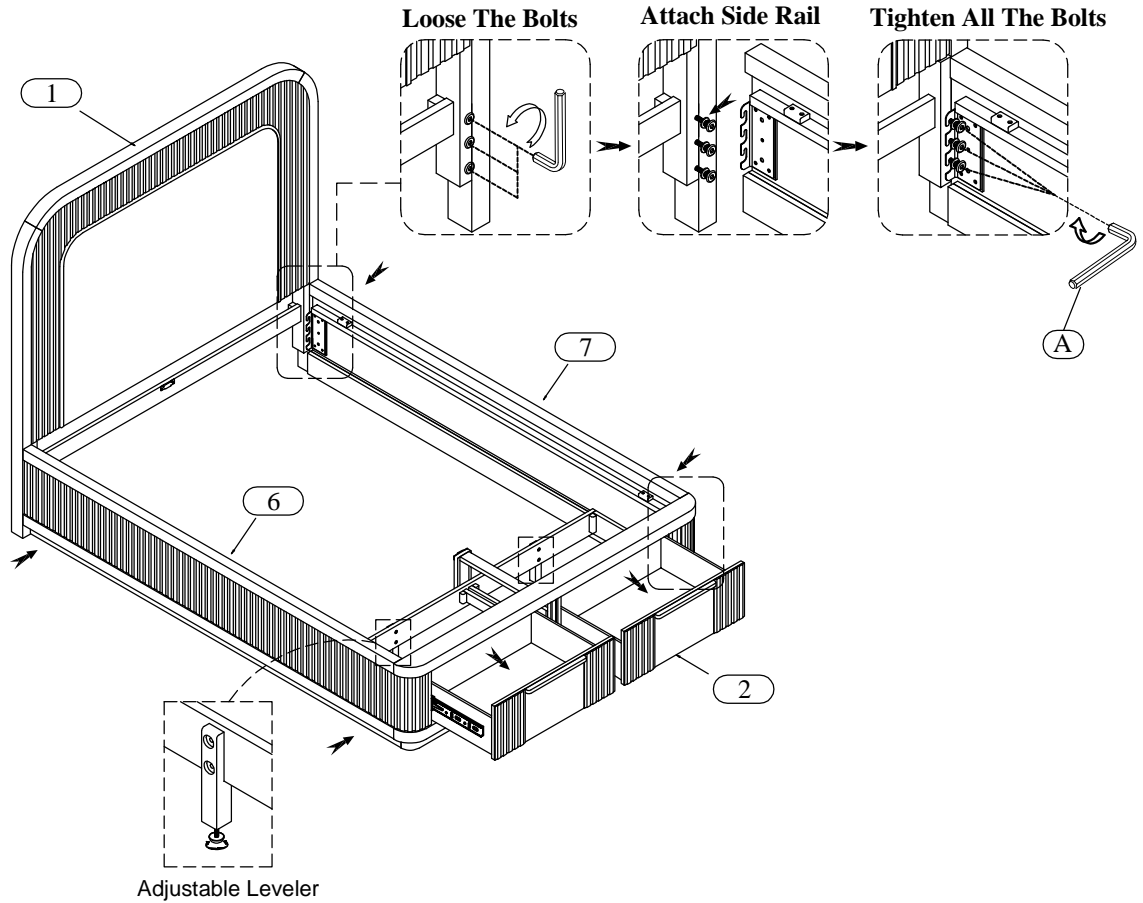
SKU: 32333724
 SKU: 33733723
 SKU: 32933726

Version#1 - 05/15/2024

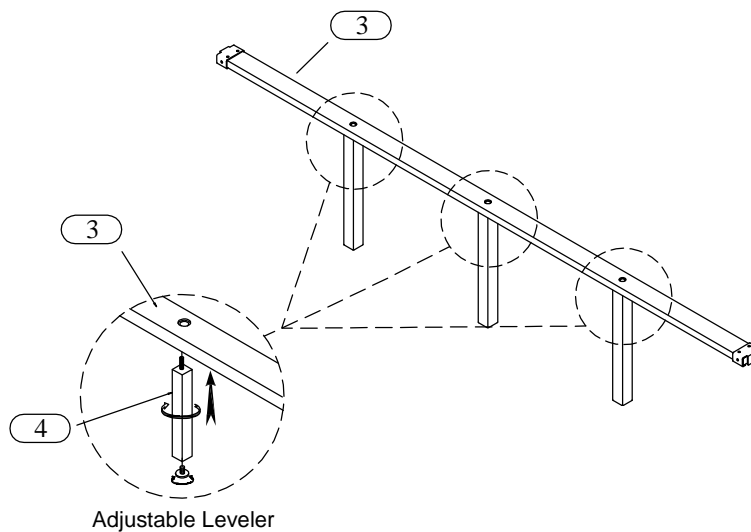
This product is manufactured by PULA for **Rooms To Go**

*** Caution: Please read all instructions carefully before starting the assembly process. These parts are cumbersome and heavy. Therefore, two people are recommended in order to prevent personal injury and ensure the parts are not damaged during the assembly.
 *** Remark: DO NOT fully tighten all bolts until assembly is completed.

STEP 1



STEP 2



ASSEMBLY INSTRUCTION

PULA: 3372-170 - QN PANEL HEADBOARD
PULA: 3372-174- QN STORAGE FOOTBOARD
PULA: 3372-172 - QN/KG RAILS

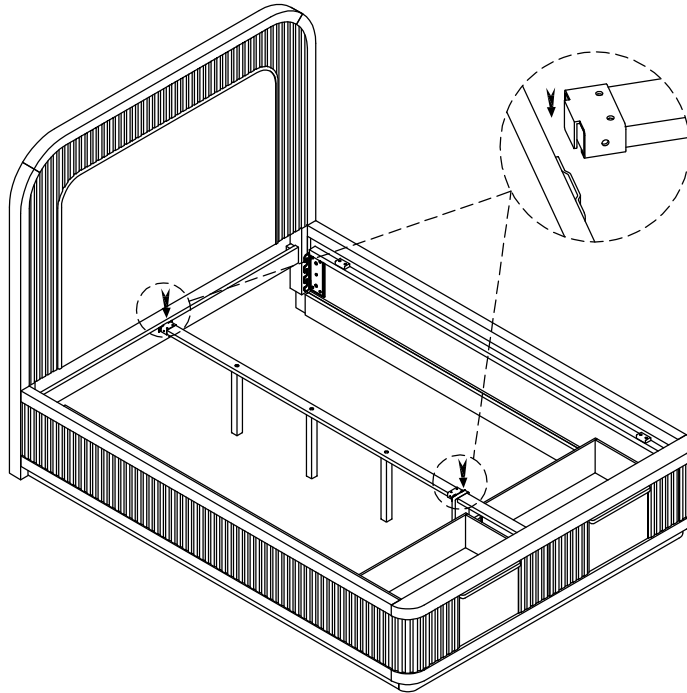
SKU: 32333724
SKU: 33733723
SKU: 32933726

Version#1 - 05/15/2024

This product is manufactured by PULA for **Rooms To Go**

*** Caution: Please read all instructions carefully before starting the assembly process. These parts are cumbersome and heavy. Therefore, two people are recommended in order to prevent personal injury and ensure the parts are not damaged during the assembly.
*** Remark: DO NOT fully tighten all bolts until assembly is completed.

STEP 3



STEP 4

