

ASSEMBLY INSTRUCTION


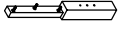


PULA: 3372-150 - QN UPH HEADBOARD
 PULA: 3372-151- QN UPH FOOTBOARD
 PULA: 3372-152 - QN/KG UPH RAILS

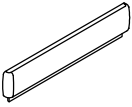

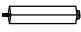
SKU: 32333736
 SKU: 32733734
 SKU: 32933738

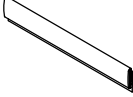
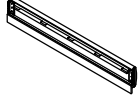
Version#1 - 05/15/2024


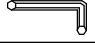

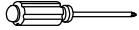
This product is manufactured by PULA for **Rooms To Go**

*** Caution: Please read all instructions carefully before starting the assembly process. These parts are cumbersome and heavy Therefore, two people are recommended in order to prevent personal injury and ensure the parts are not damaged during the assembly
 *** Remark: DO NOT fully tighten all bolts until assembly is completed.

Code	PARTS LIST OF 3372-150		
1	Headboard		1Pc
2	Left Headboard Leg		1Pc
3	Right Headboard Leg		1Pc
4	Stretcher Rail		1Pc

Code	PARTS LIST OF 3372-151		
5	Footboard		1Pc
6	Slat		5Pcs
7	Support Leg		5Pcs

Code	PARTS LIST OF 3372-152		
8	Left Rail		1Pc
9	Right Rail		1Pc

HARDWARE OF OF 3372-150			
Code	HARDWARE LIST		
A	Allen Key 4mm		1Pc
HARDWARE OF 3372-151			
B	Allen Key 4mm		1Pc
C	#8 x 1" Screw		10Pcs
Tool Required (not provided)			
		Phillip Screwdriver	

STEP 1: Install the Left and Right Legs with the Stretcher Rail. Then, tighten the Allen Bolt to secure the connection.

STEP 2: Place the Headboard on the soft/ anti-scratch floor. Attach the assembled Headboard Legs to the Headboard. Then, tighten the Allen Bolt to secure the connection. Allen Bolt is already attached to the foot of the bed.

STEP 3: Assemble the Side Rails to the Headboard. Use a allen key to tight the nut. Similarly, install the Side Rails for the Footboard.

STEP 4: Assemble the Slat support to the Slat. When installing, the Slat support needs to be tightened to fit your hand and adjust leveler on Support Legs for balance.

STEP 5: Place the Slat in the correct position on Side Rails. Then use a screwdriver to screw Slats into the Side Rails to secure it. Screwdriver (Not Provided) .

**Hardware Pack Location (S): 3372-150 Qn Uph Headboard - SKU# 32333736
 3372-151 Qn Uph Footboard - SKU# 32733734**

ASSEMBLY INSTRUCTION

PULA: 3372-150 - QN UPH HEADBOARD
PULA: 3372-151- QN UPH FOOTBOARD
PULA: 3372-152 - QN/KG UPH RAILS

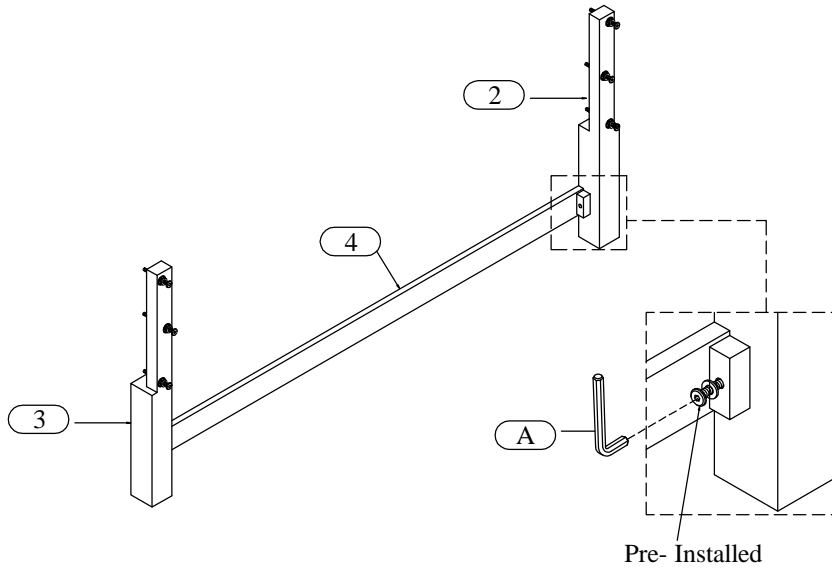
SKU: 32333736
SKU: 32733734
SKU: 32933738

Version#1 - 05/15/2024

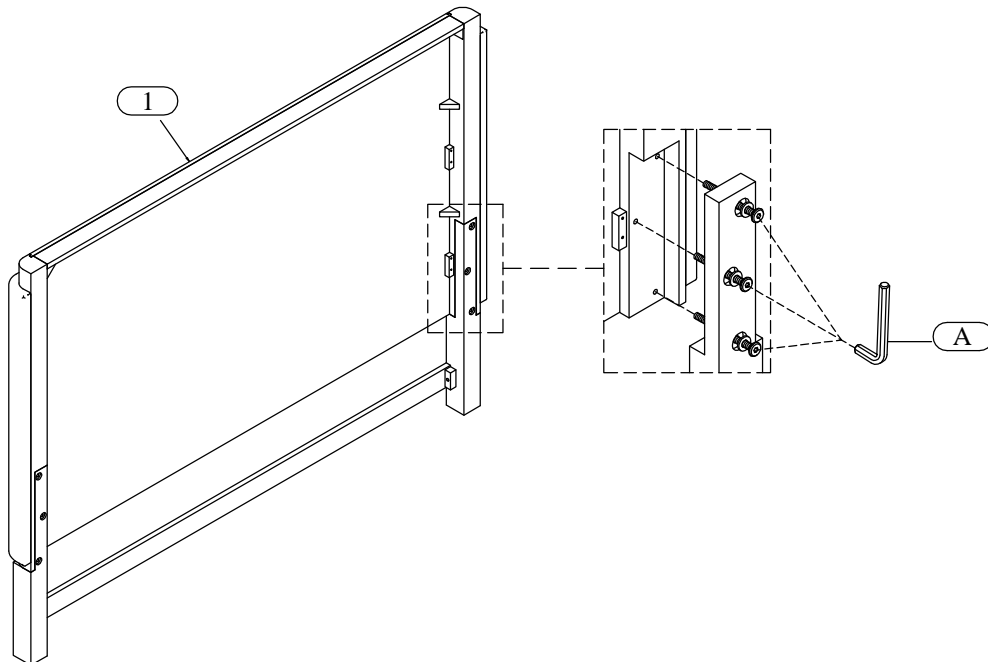
This product is manufactured by PULA for **Rooms To Go**

*** Caution: Please read all instructions carefully before starting the assembly process. These parts are cumbersome and heavy. Therefore, two people are recommended in order to prevent personal injury and ensure the parts are not damaged during the assembly.
*** Remark: DO NOT fully tighten all bolts until assembly is completed.

STEP 1



STEP 2



ASSEMBLY INSTRUCTION

PULA: 3372-150 - QN UPH HEADBOARD
 PULA: 3372-151- QN UPH FOOTBOARD
 PULA: 3372-152 - QN/KG UPH RAILS

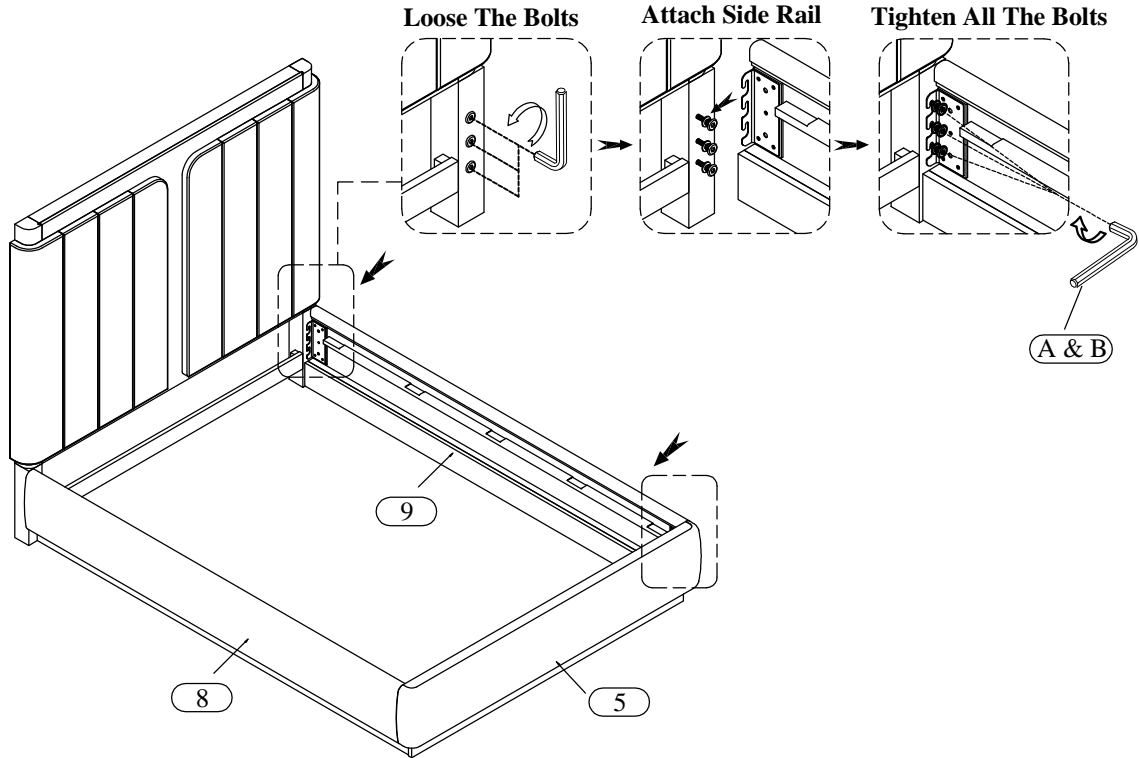
SKU: 32333736
 SKU: 32733734
 SKU: 32933738

Version#1 - 05/15/2024

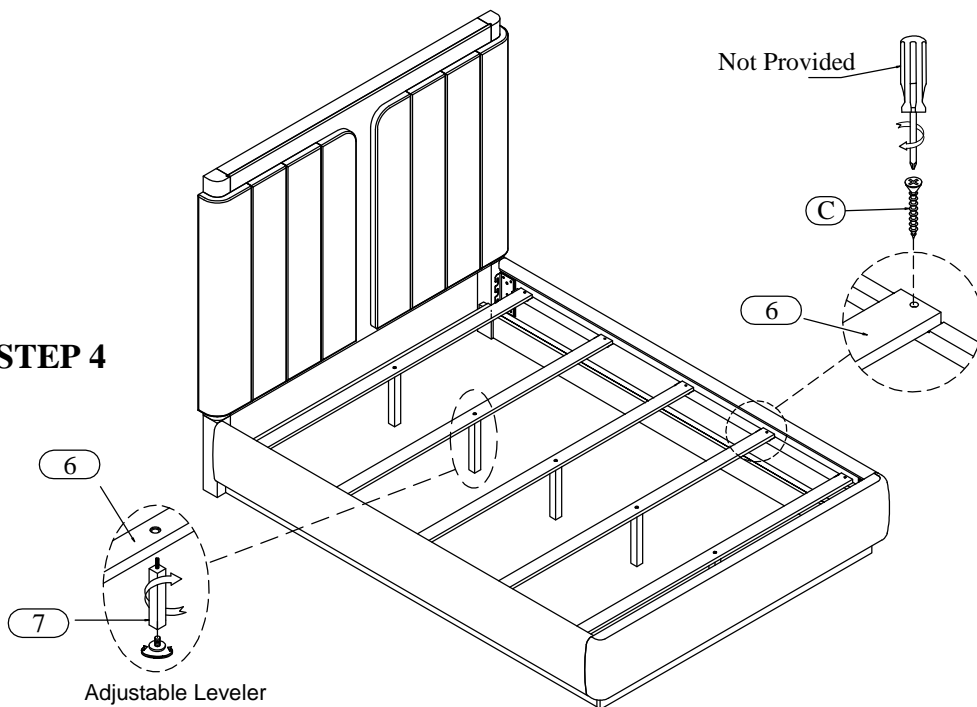
This product is manufactured by PULA for **Rooms To Go**

*** Caution: Please read all instructions carefully before starting the assembly process. These parts are cumbersome and heavy. Therefore, two people are recommended in order to prevent personal injury and ensure the parts are not damaged during the assembly.
 *** Remark: DO NOT fully tighten all bolts until assembly is completed.

STEP 3



STEP 4



STEP 5