

ASSEMBLY INSTRUCTION

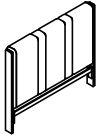
PULA: 3380-170 Queen Upholstered Headboard
 PULA: 3380-171 Queen Upholstered Footboard
 PULA: 3380-172 Queen/King Upholstered Rails

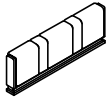

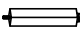
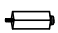
SKU: 32333801
 SKU: 32733809
 SKU: 32933803



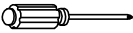
This product is manufactured by PULA for Rooms To Go


*** Caution: Please read all instructions carefully before starting the assembly process. These parts are cumbersome and heavy. Therefore, two people are recommended in order to prevent personal injury and ensure the parts are not damaged during the assembly.

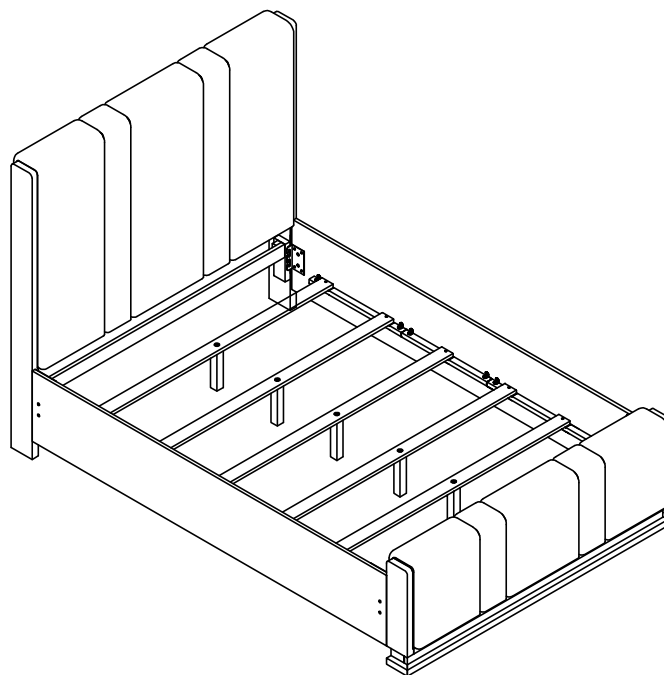
*** Remark: DO NOT fully tighten all bolts until assembly is completed.

Code	PARTS LIST OF 3380-170		
A	Headboard		1Pc

Code	PARTS LIST OF 3380-171		
B	Footboard		1Pc
C	Slats		5Pcs
D	Long Support Leg		5Pcs
E	Short Support Leg		5Pcs

Code	HARDWARE LIST OF 3380-171		SKU: 32733809
1		4mm Allen Key	1Pc
2		#8 x 1" Wood Screw	10Pcs
Tool Required (not provided)			
		Phillip Screwdriver	

Code	PARTS LIST 3380-172		
F	Side Rails		2Pcs



Hardware Pack Location (s):

3380-171 - Upholstered Footboard , SKU: 32733809

ASSEMBLY INSTRUCTION

PULA: 3380-170 Queen Upholstered Headboard

PULA: 3380-171 Queen Upholstered Footboard

PULA: 3380-172 Queen/King Upholstered Rails

SKU: 32333801

SKU: 32733809

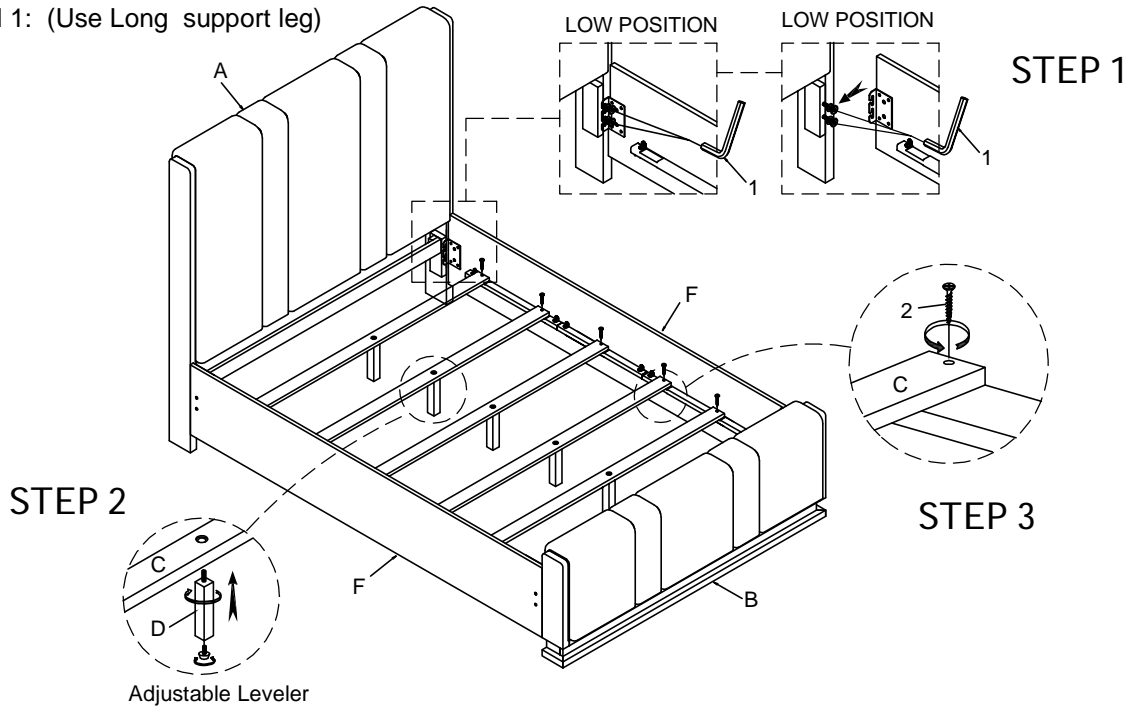
SKU: 32933803

This product is manufactured by PULA for Rooms To Go

*** Caution: Please read all instructions carefully before starting the assembly process. These parts are cumbersome and heavy. Therefore, two people are recommended in order to prevent personal injury and ensure the parts are not damaged during the assembly.

*** Remark: DO NOT fully tighten all bolts until assembly is completed.

OPTION 1: (Use Long support leg)



OPTION 2: Rotate the side rail 180 degrees to use Option 2 (Use Long support leg and short support leg)

