



ASSEMBLY INSTRUCTIONS

GLOB 3736-8 QUEEN HEADBOARD

SKU# 32337366



GLOB 3736-9 QUEEN FOOTBOARD WITH 5-SLATS SKU# 32737364

GLOB 3736-10 SIDE RAILS

SKU# 32937368

Manufactured by GLOB for Rooms To Go

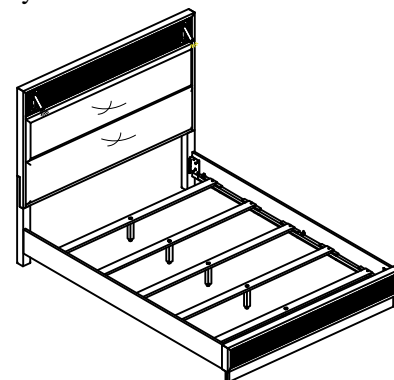
Parts Key			
No	Code	Q'TY	Description
1	3736-8	1pc	Queen Headboard Panel
2	3736-9	1pc	Queen Footboard
3	3736-10	2pcs	Side Rails
4	3736-9	5pcs	Slats
5		5pcs	Support Legs For Slats
6		5pcs	Extension Support Legs For Slat

Hardware kit 3736-9			
STEP	CODE	HARDWARE	Q'TY
1	A	Allen Wrench 	1pc
	B	Wood Screw Ø8 * Ø4x1/4" 	10pcs

1. We recommended that you should assemble this product with assistance of another person; this will make assembly easier and will eliminate damage to the product or injury to persons during assembly.

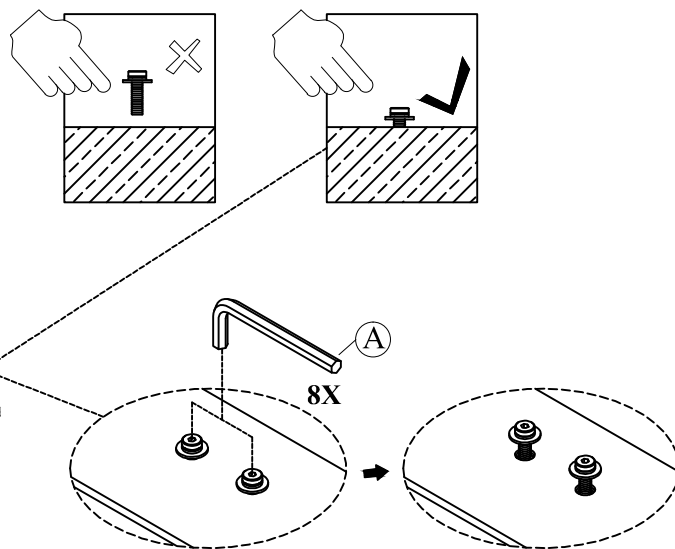
2. Please do not over tighten screws or bolts until assembly is complete.

3. Please put all parts on a non-abrasive floor before assembly, and follow assembly steps to assemble your newly purchased product correctly and efficiently.



STEP 1:

Loosen the Allen Bolt, Spring Washer, Flat Washer in the Headboard Leg (1) and Footboard (2) with Allen Wrench (A) . Do not remove the bolt and leave it inserted halfway.



Hardware Pack Location (s) :

Queen Footboard With 5-Slats , SKU# 32737364



ASSEMBLY INSTRUCTIONS

GLOB 3736-8 QUEEN HEADBOARD

SKU# 32337366

GLOB 3736-9 QUEEN FOOTBOARD WITH 5-SLATS

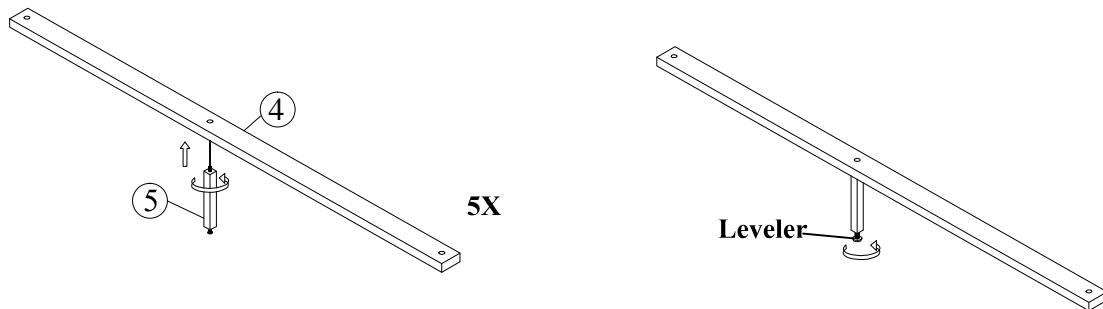
SKU# 32737364

GLOB 3736-10 SIDE RAILS

SKU# 32937368

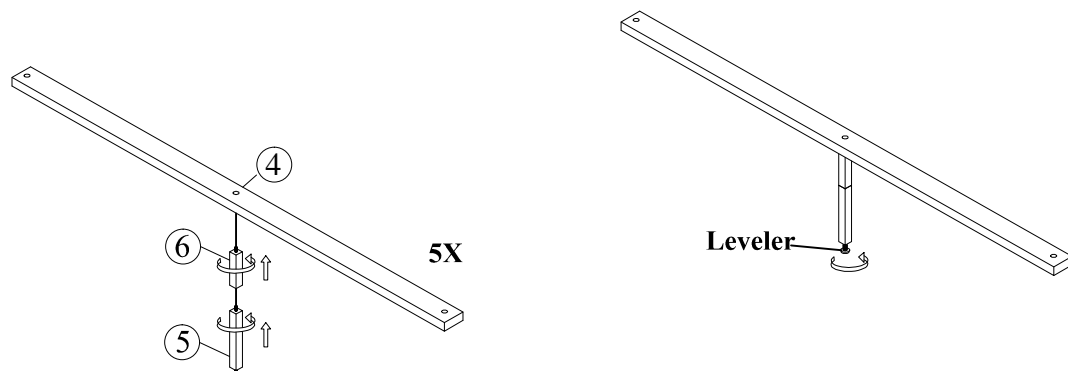
Manufactured by GLOB for Rooms To Go

STEP 2 : (Option 1 - Low Position)



Thread Long Support Legs (5) into the insert nut on Slats (4).
Short Support Leg(6) will not be used in Option 1.

STEP 2 : (Option 2- High Position)



Thread Short Support Legs (6) into the insert nut on Slats (4) and
then Thread Long Support Legs (5) into the insert nut on Short
Support Legs (6) as show above.

Hardware Pack Location (s) :

Queen Footboard With 5-Slats , SKU# 32737364



ASSEMBLY INSTRUCTIONS

GLOB 3736-8 QUEEN HEADBOARD

SKU# 32337366

GLOB 3736-9 QUEEN FOOTBOARD WITH 5-SLATS

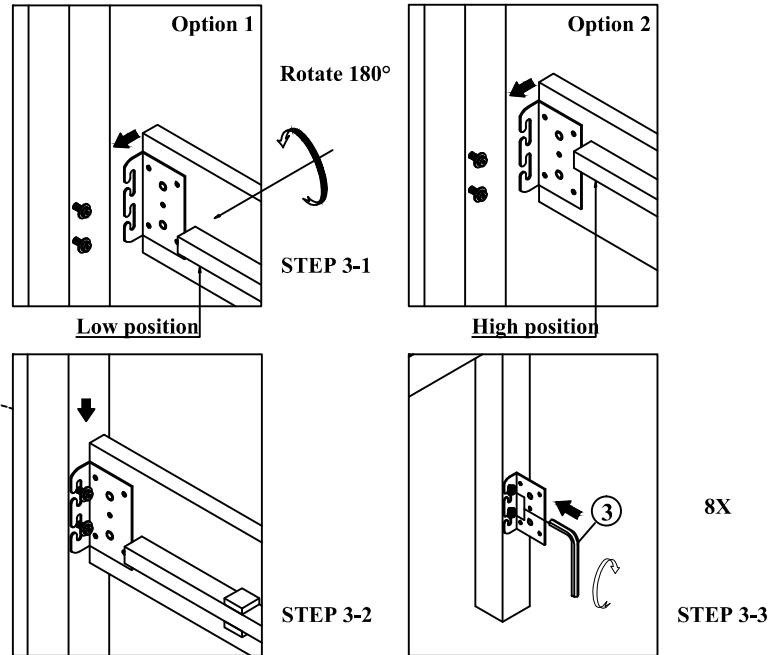
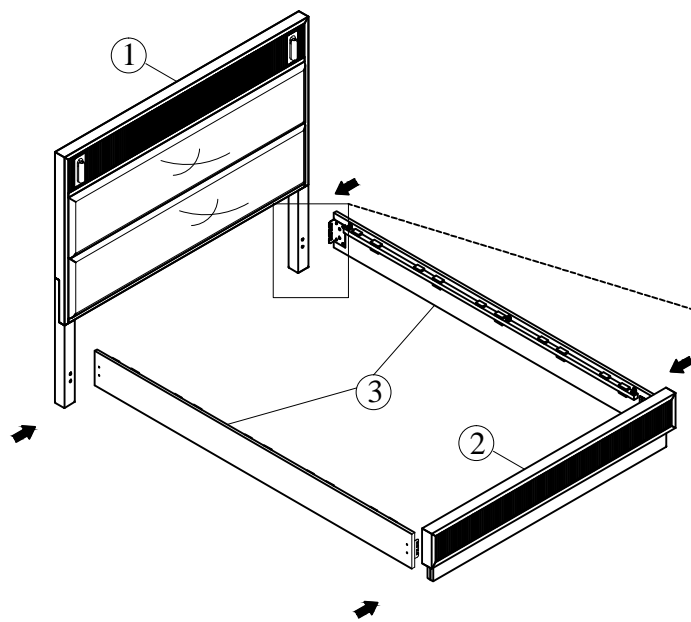
SKU# 32737364

GLOB 3736-10 SIDE RAILS

SKU# 32937368

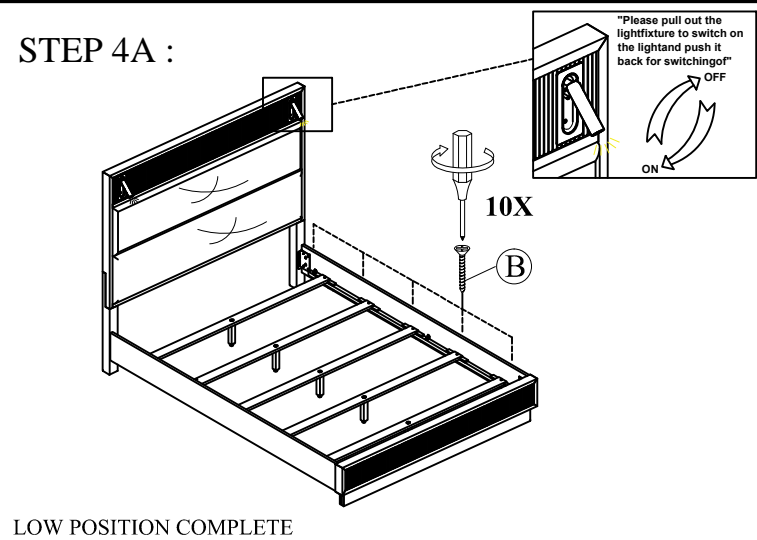
Manufactured by GLOB for Rooms To Go

STEP 3 :

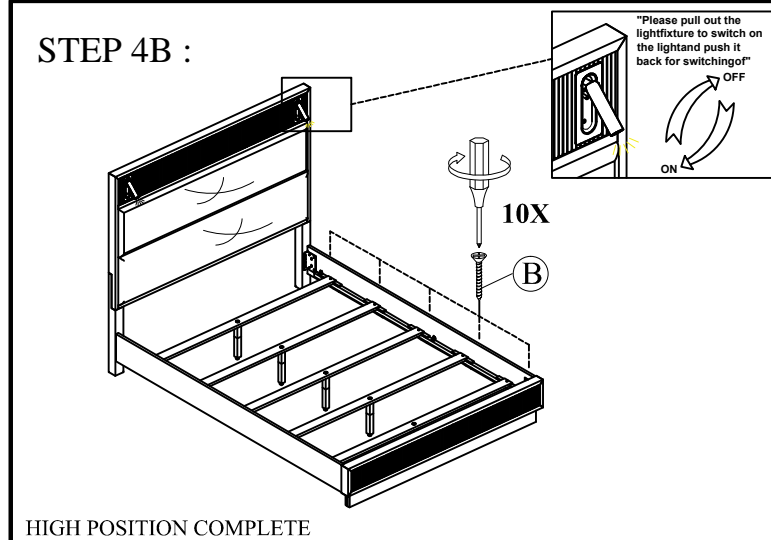


Attach Side Rail (3) to Headboard (1) and Footboard (2). Place the Side Rail (3) bracket hooks onto the Bolts loosened in Step 1. Apply downward force until side rails are fully put on the bolts of Headboard and Footboard in place. Tighten with Allen Wrench (A).

STEP 4A :



STEP 4B :



Put Slats (4) on to Side Rails (3) and fix by Wood Screw (B) using a Phillips Head screwdriver (not included).

Put Slats (4) on to Side Rails (3) and fix by Wood Screw (B) using a Phillips Head screwdriver (not included).

Hardware Pack Location (s) :

Queen Footboard With 5-Slats , SKU# 32737364