



PNWD

Assembly Instructions

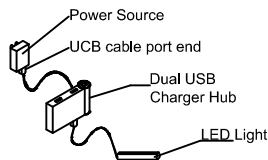
Manufactured for
Rooms To Go

4734-N

NIGHTSTAND

SKU#32547347

WIRELESS CHARGING DIAGRAM



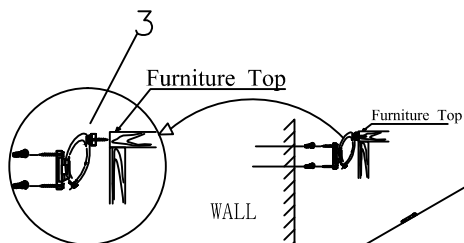
PARTS LIST

Step	Hardware List	Q'TY
A	Allen Key	1 Pc
B	Bolt 5/16" x 18 x 1-1/2"	4 Pcs
	Spring Washer 5/16" dia.	4 Pcs
	Flat Washer 5/16" dia.	4 Pcs
C	USB Adaptor	1 Pc

1. Nightstand - 1 Pc

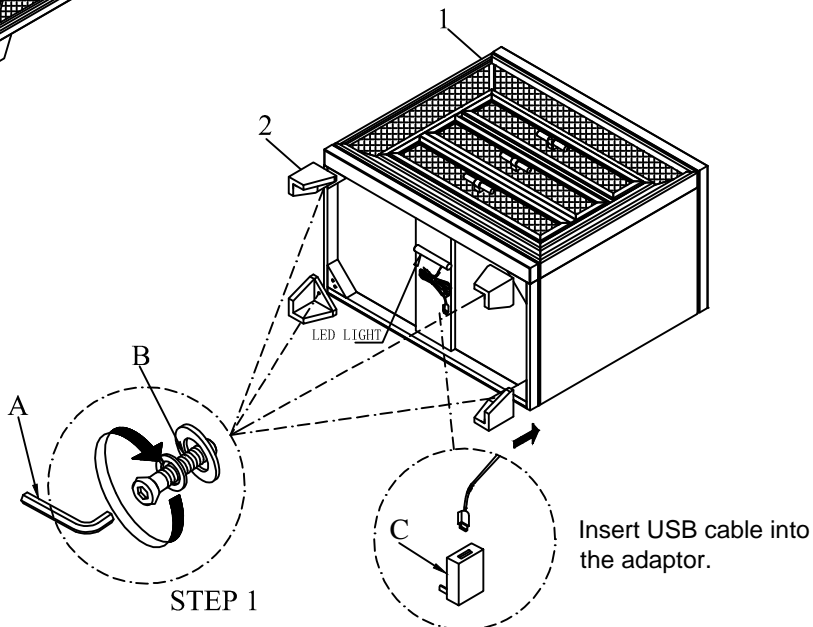
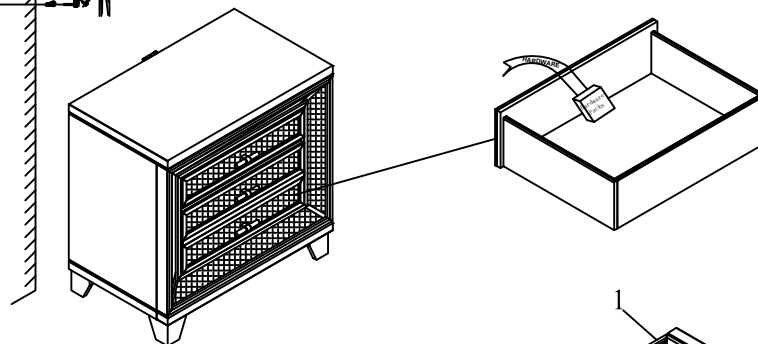
2. Legs - 4 Pcs

3. Anti-tip Restraint - 1Pc



Tool Required: Phillips screwdriver
(not provided)

USB Adaptor Attach in the back of the
drawer front of the bottom drawer.



CAUTION: Changes or modifications not approved by the party responsible for compliance could void user's authority to operate the equipment.

NOTE: This equipment has been tested and found to comply with the limits for a Class B digital device, pursuant to Part 15 of the FCC Rules. These limits are designed to provide reasonable protection against harmful interference in a residential installation. This equipment generates, uses and can radiate radio frequency energy and, if not installed and used in accordance with the instructions, may cause harmful interference to radio communications. However, there is no guarantee that interference will not occur in a particular installation. If this equipment does cause harmful interference to radio or television reception, which can be determined by turning the equipment off and on, the user is encouraged to try to correct the interference by one or more of the following measures:

- Reorient or relocate the receiving antenna.
- Increase the separation between the equipment and receiver.
- Connect the equipment into an outlet on a circuit different from that to which the receiver is connected.
- Consult the dealer or an experienced radio / TV technician for help.

HARDWARE PACK LOCATION(S):

PNWD

4734-N

NIGHTSTAND

SKU#32547347



PNWD

Assembly Instructions

Manufactured for
Rooms To Go



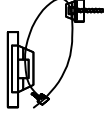
4734-C

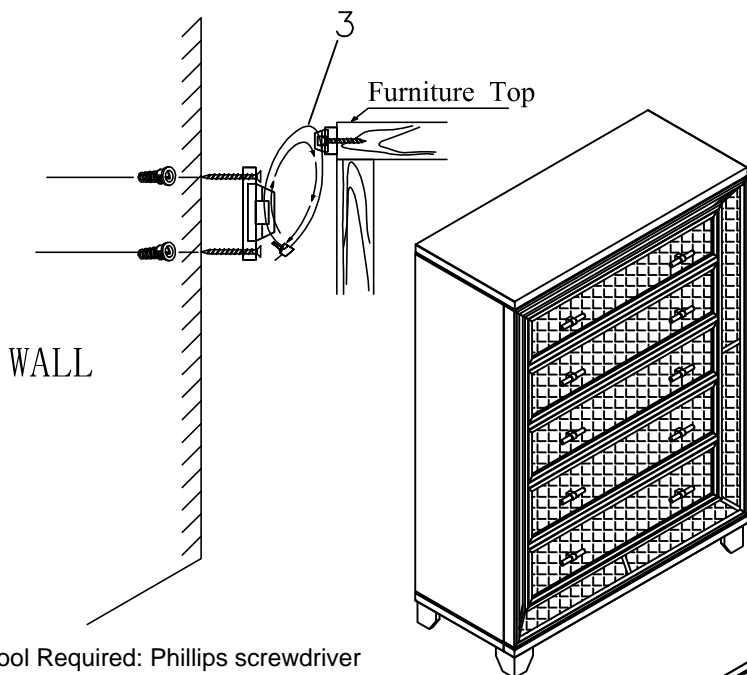
CHEST

SKU#32647349

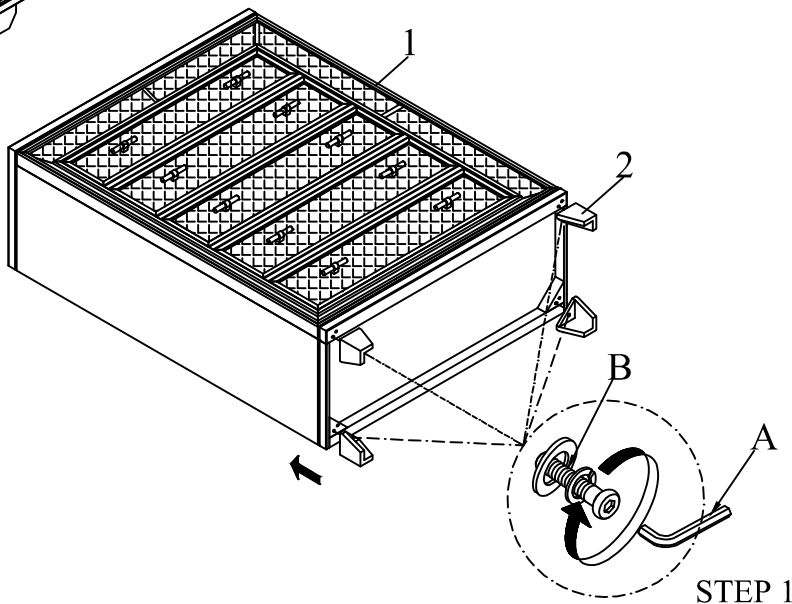
PARTS LIST

Step	Hardware List	Q'TY
A	Allen Key	1 Pc
B	Bolt 5/16" x 18 x 1-1/2"	4 Pcs
	Spring Washer 5/16" dia.	4 Pcs
	Flat Washer 5/16" dia.	4 Pcs


1. Chest - 1 Pc

2. Legs - 4 Pcs

3. Anti-tip Restraint - 1 Pc



Tool Required: Phillips screwdriver
(not provided)



HARDWARE PACK LOCATION(S):

PNWD

4734-C

CHEST

SKU#32647349



PNWD

Assembly Instructions

Manufactured for
Rooms To Go

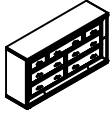


4734-D

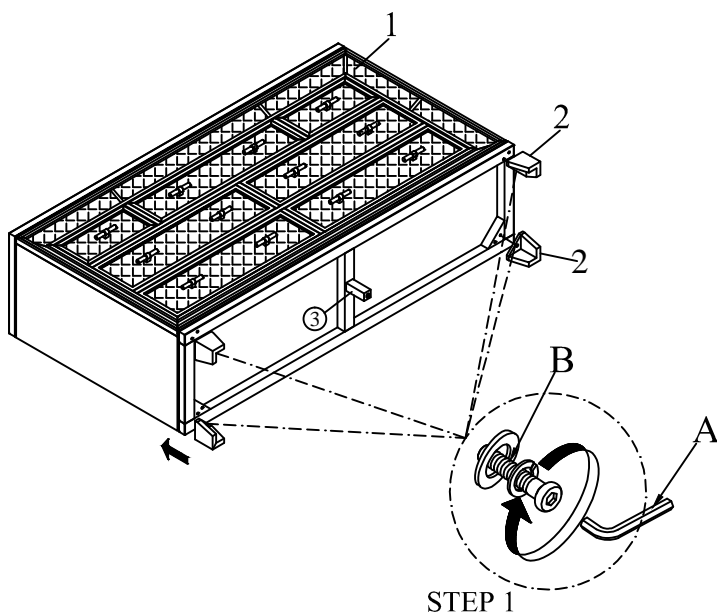
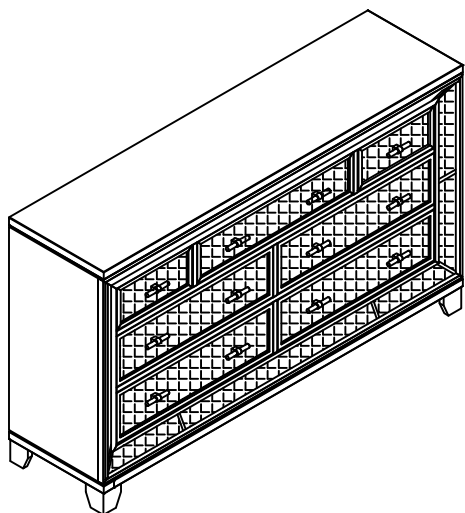
DRESSER

SKU#32147349

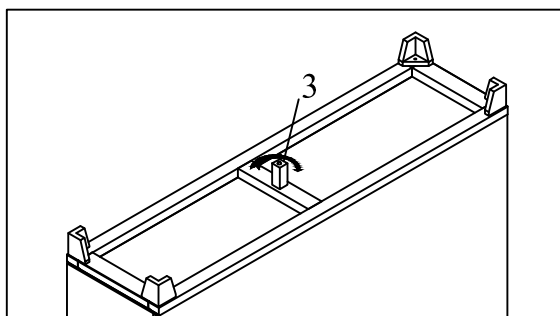
PARTS LIST

Step	Hardware List	Q'TY
A	Allen Key	1 Pc
B	Bolt 5/16" x 18 x 1-1/2"	4 Pcs
	Spring Washer 5/16" dia.	4 Pcs
	Flat Washer 5/16" dia.	4 Pcs

	1. Dresser - 1 Pc
	2. Legs - 4 Pcs
	3. Support Leg - 1 Pc



STEP 2



HARDWARE PACK LOCATION(S):

PNWD

4734-D

DRESSER

SKU#32147349



PNWD

Assembly Instructions

Manufactured for
Rooms To Go

4734-M

MIRROR

SKU#32247341




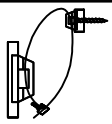
4734-D

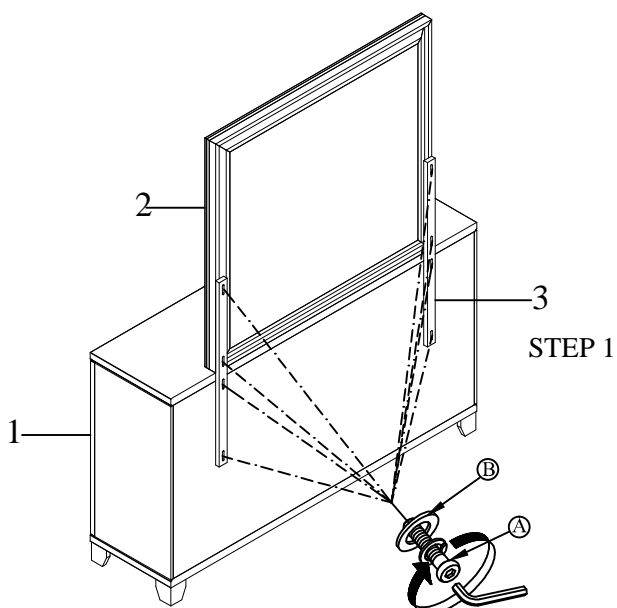
DRESSER

SKU#32147349

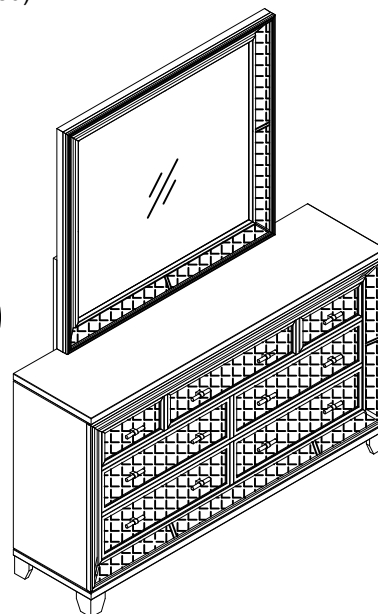
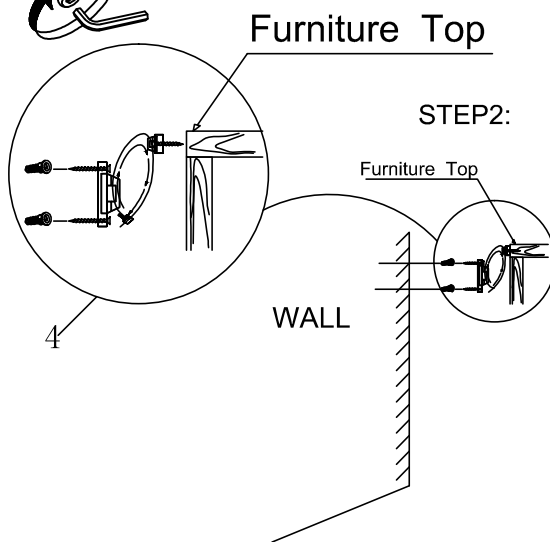
Step	Code	Hardware	Q'TY
	A	Allen Key	1 Pc
1	B	Bolt 1/4"x 20 x 1-1/2"	8 Pcs
		Spring Washer 1/4" dia.	
		Flat Washer 1/4" dia.	

PARTS LIST

	1. Dresser - 1 Pc
	2. Mirror - 1Pc
	3. Mirror Support - 2Pcs
	4. Anti-tip Restraint - 1 Pc



Tool Required: Phillips screwdriver
(not provided)



HARDWARE PACK LOCATION(S):

PNWD

4734-M

MIRROR

SKU#32247341



PNWD

Assembly Instructions

Manufactured for
Rooms To Go

4734 - H-QN UPH HEADBOARD

SKU#32347343

4734 - F -QN UPH FOOTBOARD


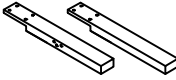





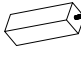
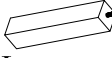
SKU#32747341

4734 - R -QN/KG RAIL

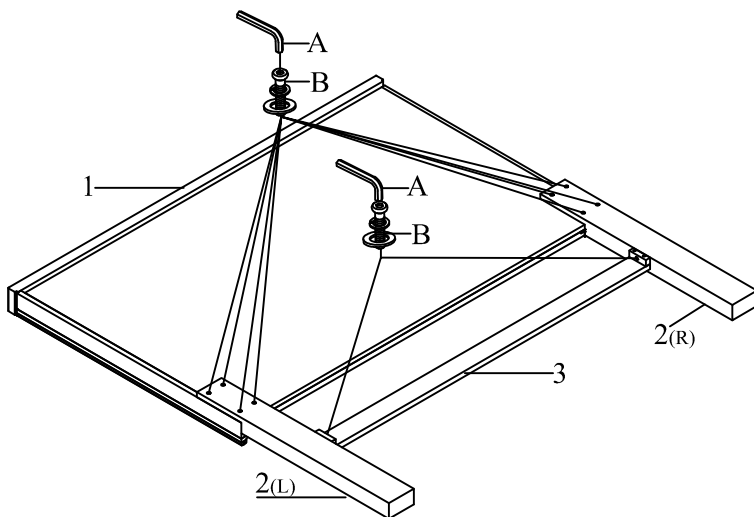
SKU#32947345

Step	Code	Hardware	Q'TY
	A	Allen Key	1 Pc
1	B	Bolt 5/16" x 18 x 1-3/4"	10 Pcs
		Spring Washer 5/16" dia.	10 Pcs
		Flat Washer 5/16" dia.	10 Pcs
2	C	Bolt 5/16" x 18 x 1-1/2"	2 Pcs
		Spring Washer 5/16" dia.	2 Pcs
		Flat Washer 5/16" dia.	2 Pcs
4 & 7	D	Wood Screws #8 x 1 -1/4"	8 Pcs

PARTS LIST

	1. Headboard- 1 Pc
	2. HB Post - 2Pcs (L = 1 R = 1)
	3. HB Bottom Rail
	4. Footboard - 1 Pc
	5. Legs - 2 Pcs
	6. Side Rail -2 Pcs
	7. Slats - 4 Pcs
	8. Support Leg Short - 4Pcs
	9. Support Leg Long - 4Pcs

STEP 1



HARDWARE PACK LOCATION(S):

PNWD

4734-5UH QN UPH HEADBOARD

SKU#32347343



PNWD

Assembly Instructions

Manufactured for
Rooms To Go

4734 - H-QN UPH HEADBOARD

SKU#32347343

4734 - F -QN UPH FOOTBOARD

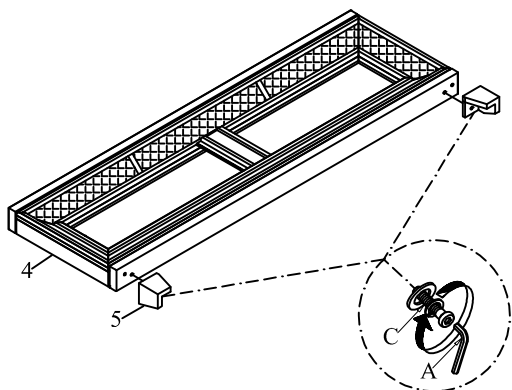
SKU#32747341

4734 - R -QN/KG RAIL

SKU#32947345

***Cautions: Please read all instructions carefully before starting the assembly process. These parts are cumbersome and heavy. Therefore, two people are recommended in order to prevent personal injury and ensure the parts are not damaged during the assembly

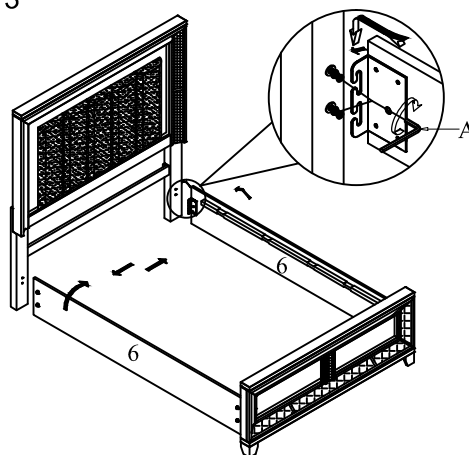
STEP 2



Attach Headboard post to Headboard panel, Assemble Headboard bottom rail to headboard posts.

Note: Do not tighten all bolts until the HeadBoard is fully assembled.

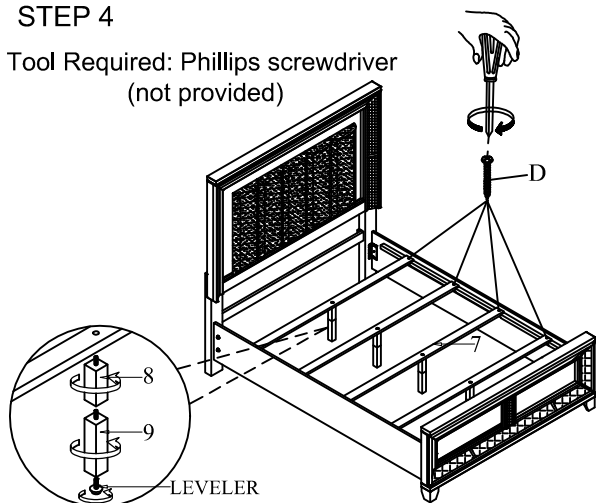
STEP 3



Remove bolts from headboard and footboard then attach side rails to headboard and footboard with the bolts just take off.

STEP 4

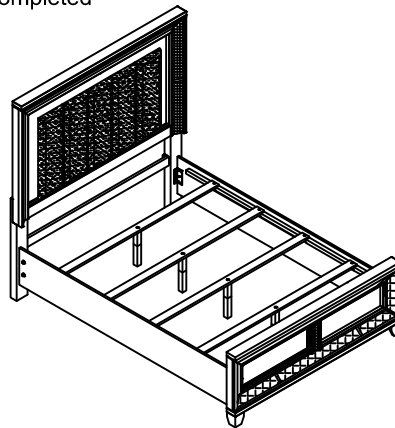
Tool Required: Phillips screwdriver
(not provided)



Attach slats to the side rail cleat

STEP 5

Option 1
Assembly completed



Fasten slats. Assembly completed.



PNWD

Assembly Instructions

Manufactured for
Rooms To Go

4734 - H-QN UPH HEADBOARD

SKU#32347343

4734 - F -QN UPH FOOTBOARD

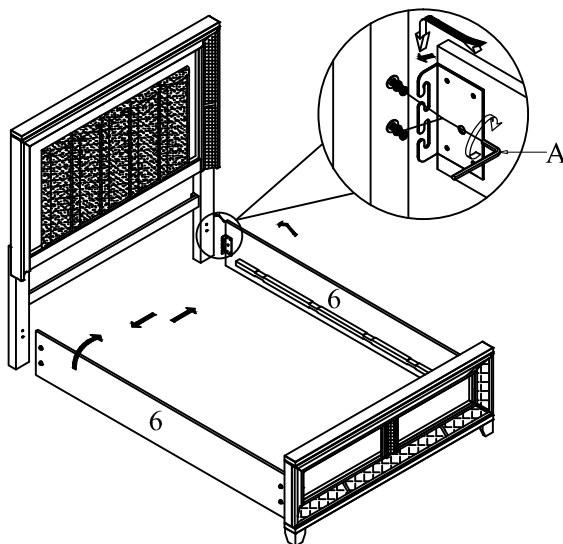
SKU#32747341

4734 - R -QN/KG RAIL

SKU#32947345

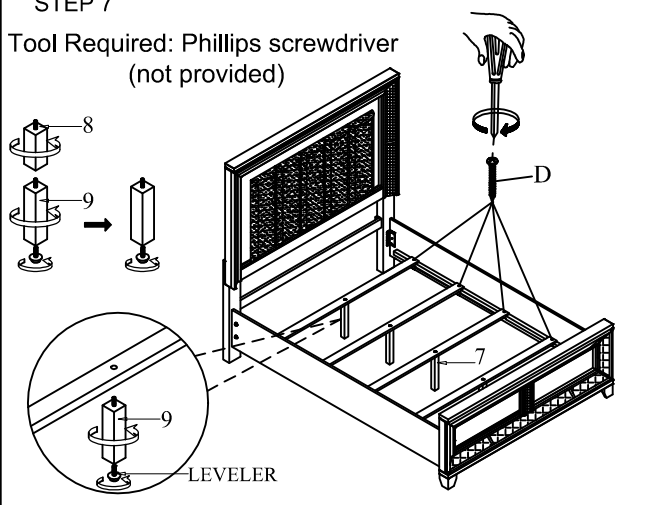
***Cautions: Please read all instructions carefully before starting the assembly process. These parts are cumbersome and heavy. Therefore, two people are recommended in order to prevent personal injury and ensure the parts are not damaged during the assembly

STEP 6



STEP 7

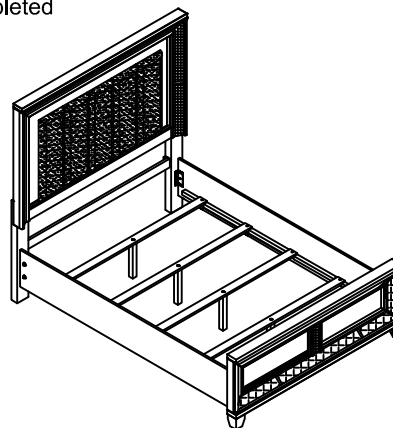
Tool Required: Phillips screwdriver
(not provided)



Attach slats to the side rail cleat

STEP 8

Option 2
Assembly completed



Fasten slats. Assembly completed.



PNWD

Assembly Instructions

Manufactured for
Rooms To Go

4734 - H-KG UPH HEADBOARD

SKU#32347343

4734 - F -KG UPH FOOTBOARD


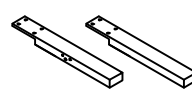







SKU#32847343

4734 - R -QN/KG RAIL

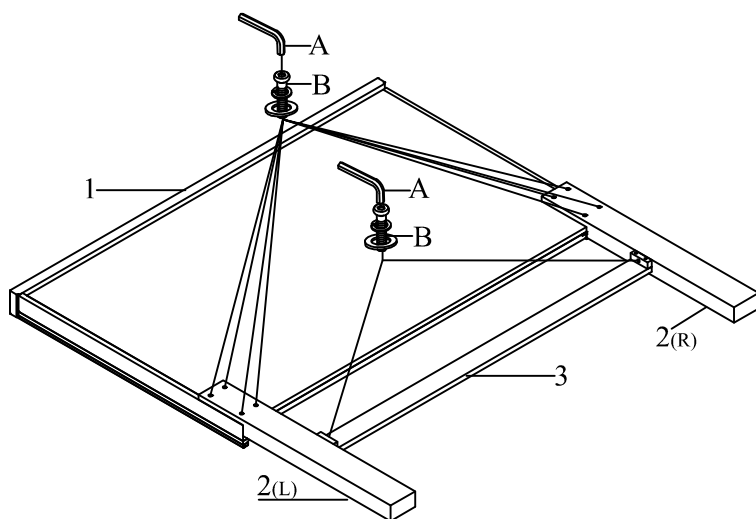
SKU#32947345

Step	Code	Hardware	Q'TY
	A	Allen Key	1 Pc
1	B	Bolt 5/16" x 18 x 1- 3/4"	10 Pcs
		Spring Washer 5/16" dia.	10 Pcs
		Flat Washer 5/16" dia.	10 Pcs
2	C	Bolt 5/16" x 18 x 1-1/2"	2 Pcs
		Spring Washer 5/16" dia.	2 Pcs
		Flat Washer 5/16" dia.	2 Pcs
4 & 7	D	Wood Screws #8 x 1 -1/4"	8 Pcs

PARTS LIST

	1. Headboard- 1 Pc
	2. HB Post - 2Pcs (L = 1 R = 1)
	3. HB Bottom Rail
	4. Footboard - 1 Pc
	5. Legs - 2 Pcs
	6. Side Rail -2 Pcs
	7. Slats - 4 Pcs
	8. Support Leg Short - 8Pcs
	9. Support Leg Long - 8Pcs

STEP 1



Tool Required: Phillips screwdriver
(not provided)

HARDWARE PACK LOCATION(S):
PNWD

4734-5UH QN UPH HEADBOARD

SKU#32347343



PNWD

Assembly Instructions

Manufactured for
Rooms To Go

4734 - H-KG UPH HEADBOARD

SKU#32347343

4734 - F -KG UPH FOOTBOARD

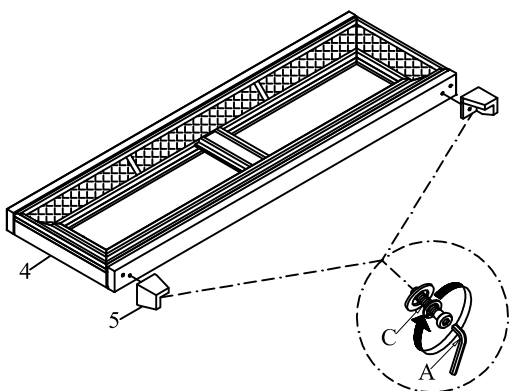
SKU#32847343

4734 - R -QN/KG RAIL

SKU#32947345

*****Cautions:** Please read all instructions carefully before starting the assembly process. These parts are cumbersome and heavy. Therefore, two people are recommended in order to prevent personal injury and ensure the parts are not damaged during the assembly

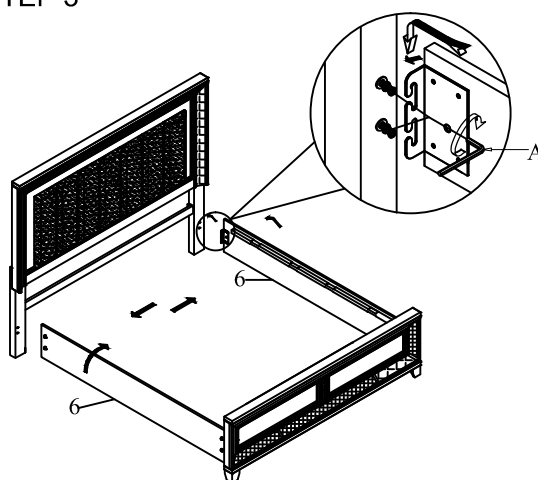
STEP 2



Attach Headboard post to Headboard panel, Assemble Headboard bottom rail to headboard posts.

Note: Do not tighten all bolts until the HeadBoard is fully assembled.

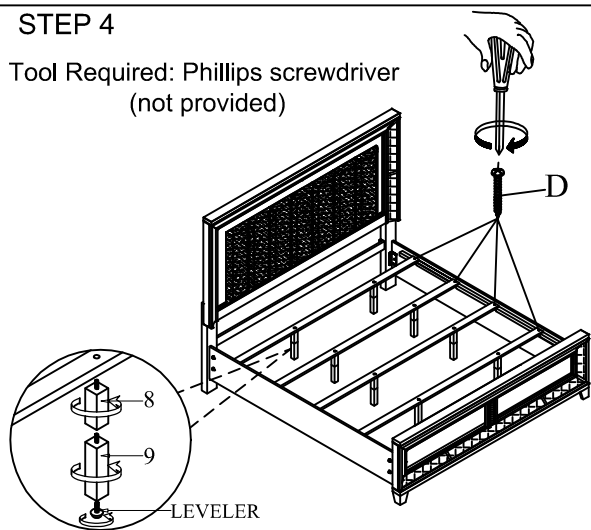
STEP 3



Remove bolts from headboard and footboard then attach side rails to headboard and footboard with the bolts just take off.

STEP 4

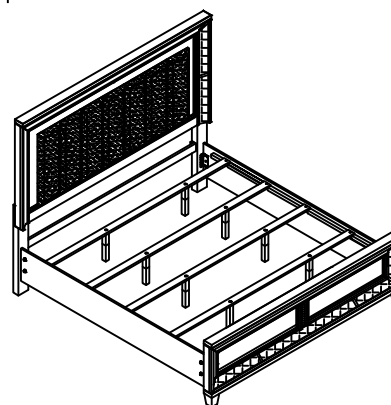
Tool Required: Phillips screwdriver
(not provided)



Attach slats to the side rail cleat

STEP 5

Option 1
Assembly completed



Fasten slats. Assembly completed.



PNWD

Assembly Instructions

Manufactured for
Rooms To Go

4734 - H-KG UPH HEADBOARD

SKU#32347343

4734 - F -KG UPH FOOTBOARD

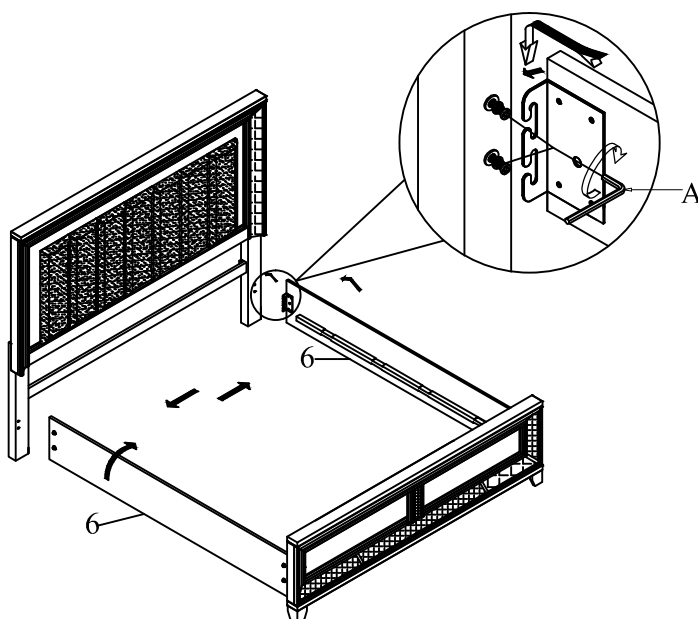
SKU#32847343

4734 - R -QN/KG RAIL

SKU#32947345

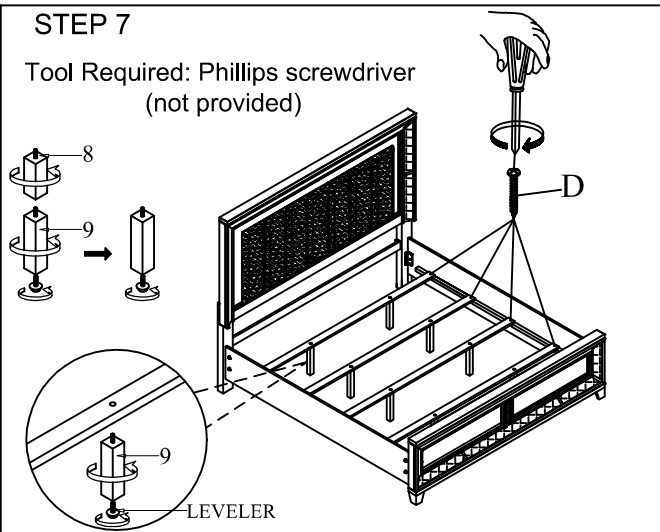
***Cautions: Please read all instructions carefully before starting the assembly process. These parts are cumbersome and heavy. Therefore, two people are recommended in order to prevent personal injury and ensure the parts are not damaged during the assembly

STEP 6



STEP 7

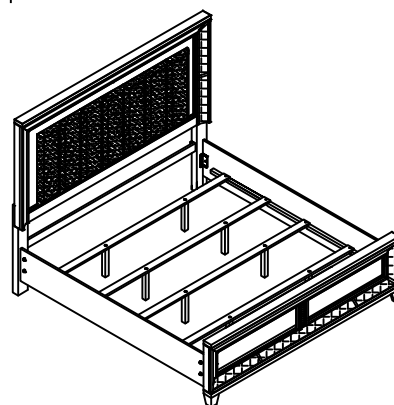
Tool Required: Phillips screwdriver
(not provided)



Attach slats to the side rail cleat

STEP 8

Option 2
Assembly completed



Fasten slats. Assembly completed.