

ASSEMBLY INSTRUCTION

RVID 5190-13 Queen Uph Headboard
5190-17 Queen Uph Footboard
5190-9 King/Queen Siderails

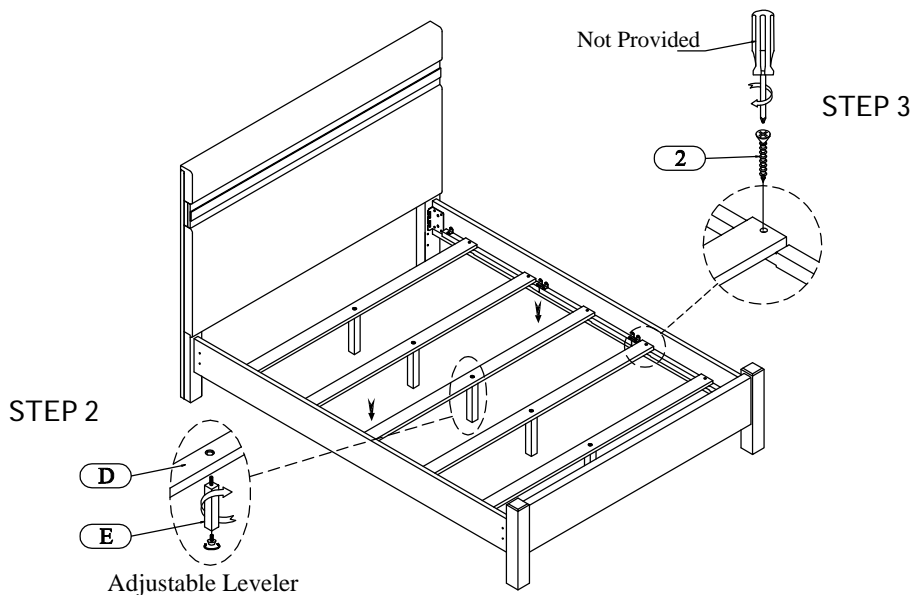
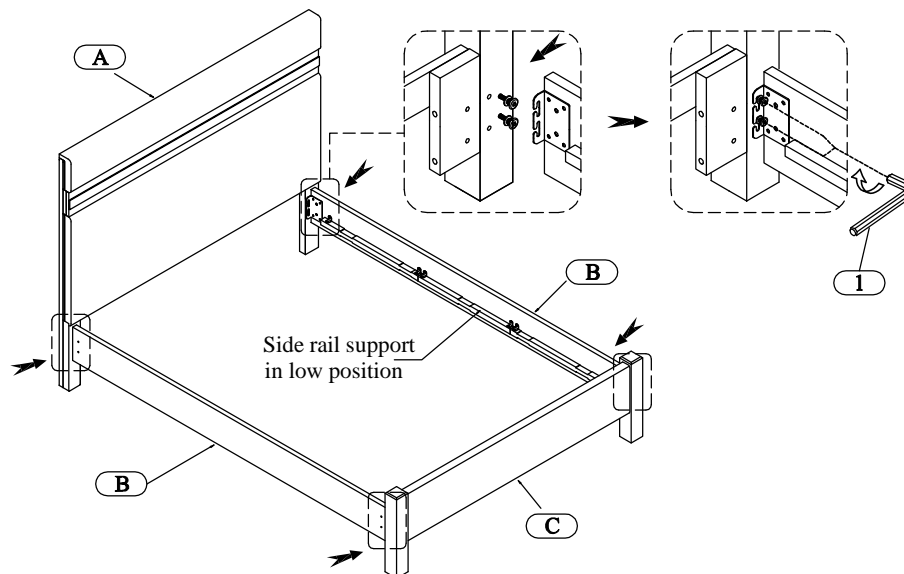
SKU: 33351901
SKU: 33751909
SKU: 32951902

THANK YOU FOR PURCHASING THIS QUALITY PRODUCT. BE SURE TO CHECK ALL PACKING MATERIALS CAREFULLY FOR SMALL HARDWARE WHICH MAY HAVE COME LOOSE INSIDE THE CARTON DURING SHIPMENT. IDENTIFY AND COUNT ALL HARDWARE AND COMPARE WITH THE HARDWARE LIST BELOW.

PARTS LIST :			
No.	Description	Sketch	Q' TY
A	Uph King Headboard		1Pc
B	Bed Rails		2Pcs
C	Uph Queen Footboard		1Pc
D	Slats		5Pcs
E	Long Support Leg		5Pcs
F	Short Support Leg		5Pcs

HARDWARE LIST :			
No.	Sketch	Description	Q' TY
1		4mm Allen Key	1Pc
2		#8 x 1" Wood Screw	10Pcs

STEP 1 : Option 1 - When using the side rail slats in the low position only use PART E under the slats



Hardware Pack Location:

Inside Box: 5190 UPH QUEEN BED, SKU: 33351901/ 33751909/ 32951902

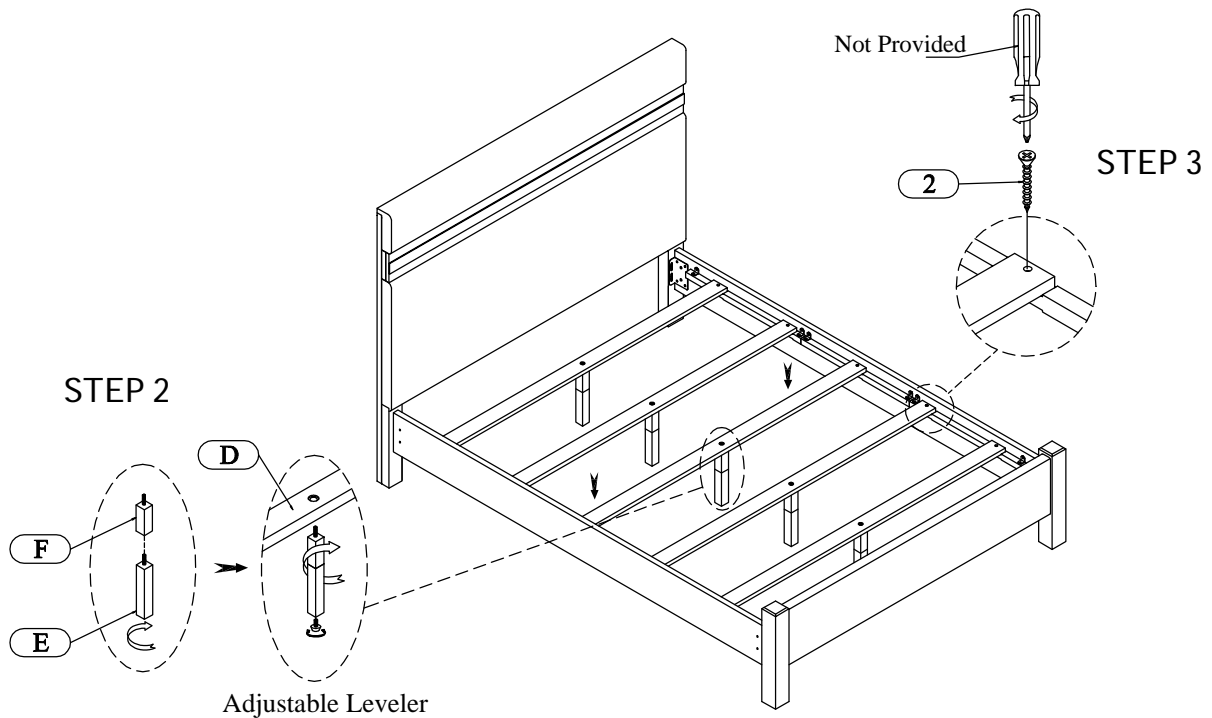
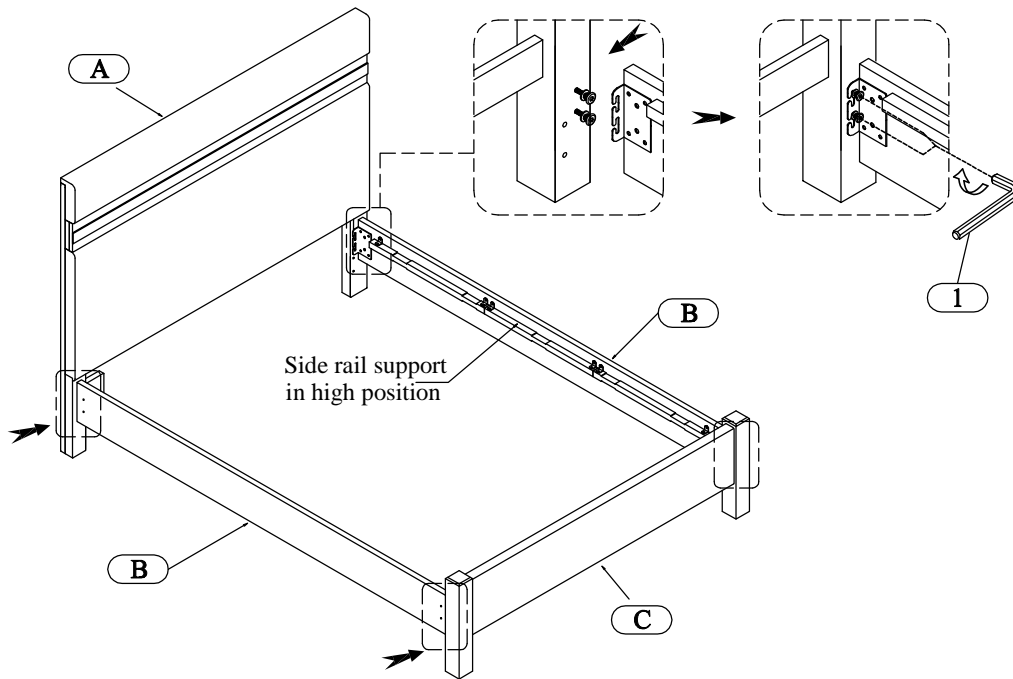
ASSEMBLY INSTRUCTION

RVID 5190-13 Queen Uph Headboard
 5190-17 Queen Uph Footboard
 5190-9 King/Queen Siderails

SKU: 33351901
 SKU: 33751909
 SKU: 32951902

THANK YOU FOR PURCHASING THIS QUALITY PRODUCT. BE SURE TO CHECK ALL PACKING MATERIALS CAREFULLY FOR SMALL HARDWARE WHICH MAY HAVE COME LOOSE INSIDE THE CARTON DURING SHIPMENT. IDENTIFY AND COUNT ALL HARDWARE AND COMPARE WITH THE HARDWARE LIST BELOW.

STEP 1 : OPTION 2 - Rotate the side rail 180 degrees to use Option 2 (When using the side rail slats in the high position use PART E & PART F under the slats)



Hardware Pack Location:

Inside Box: 5190 UPH QUEEN BED, SKU: 33351901/ 33751909/ 32951902