



ASSEMBLY INSTRUCTIONS

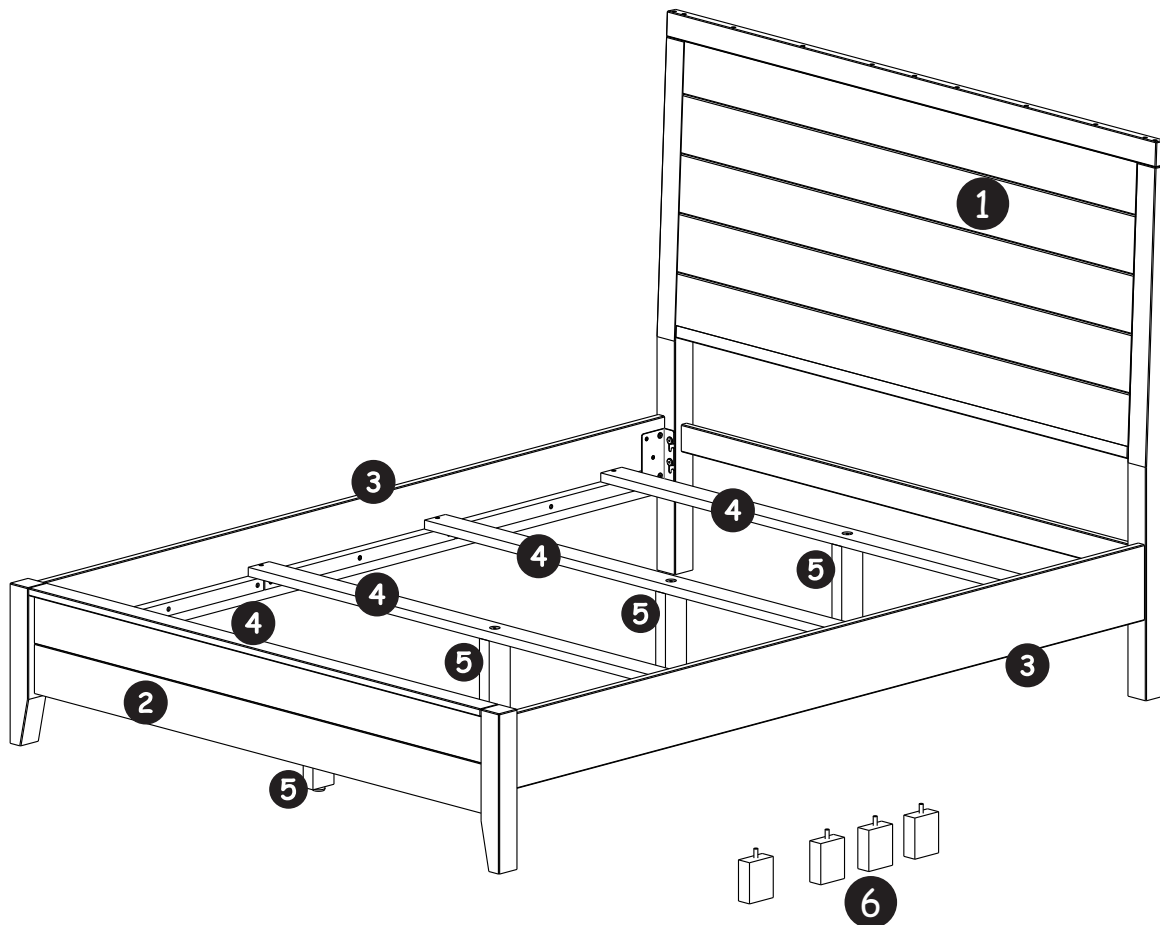
5306-3N - QN PNL HDBD - SKU 33353068
 5306-7N - QN PNL FTBD - SKU 33753066
 5306-9N - QK PNL RAILS - SKU 33953060
 5308-3N - QN PNL HDBD - SKU 33353082
 5308-7N - QN PNL FTBD - SKU 33753080
 5308-9N - QK PNL RAILS - SKU 33953084

5304-3N - QN PNL HDBD - SKU 33353044
 5304-7N - QN PNL FTBD - SKU 33753042
 5304-9N - QK PNL RAILS - SKU 33953046
 5312-3 - QN PNL HDBD - SKU 32353120
 5312-7 - QN PNL FTBD - SKU 32753128
 5312-9 - QK PNL RAILS - SKU 32953122

This product is manufactured by **RENR** for **ROOMS TO GO** ▶

HARDWARE LIST		
Code	Description	Qty.
A	 Wood Screw 4,0X30	8
B	 Allen Key 4,0	2

PARTS LIST		
Part #	Description	Qty.
01	Headboard	1
02	Footboard	1
03	Side Rails	2
04	Slat	4
05	Support Leg	4
06	Extender Support Leg	4



Hardware Pack Location:

QN PNL FTBD - SKU 33753066, QN PNL FTBD - SKU 33753080, QN PNL FTBD - SKU 33753042,
 QN PNL FTBD - SKU 32753128

ASSEMBLY INSTRUCTIONS

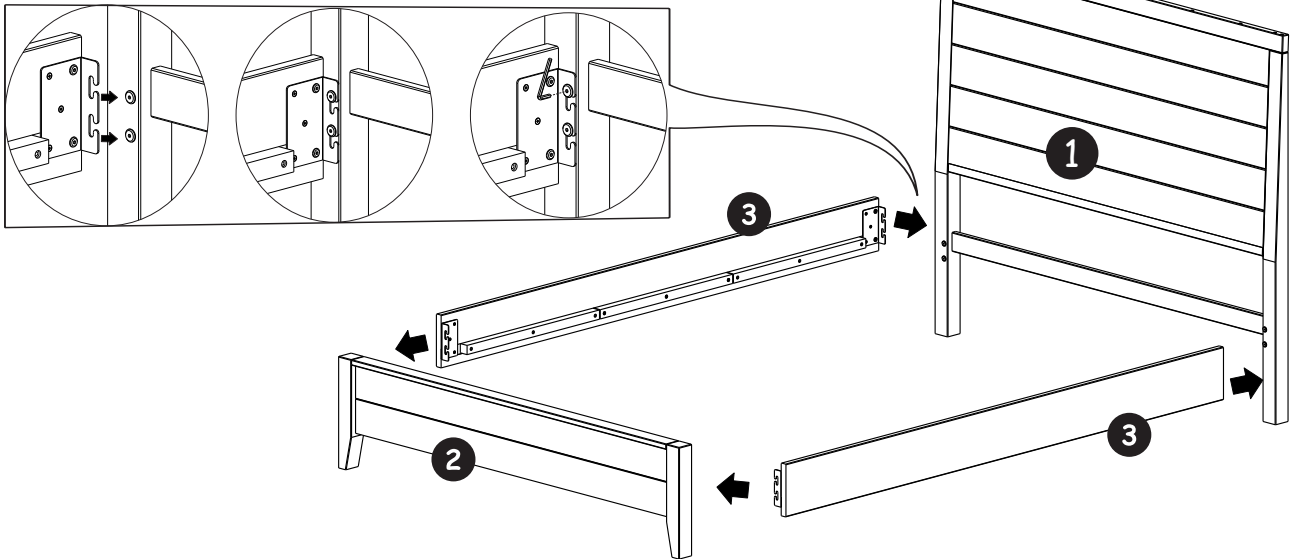
5306-3N - QN PNL HDBD - SKU 33353068
5306-7N - QN PNL FTBD - SKU 33753066
5306-9N - QK PNL RAILS - SKU 33953060
5308-3N - QN PNL HDBD - SKU 33353082
5308-7N - QN PNL FTBD - SKU 33753080
5308-9N - QK PNL RAILS - SKU 33953084

5304-3N - QN PNL HDBD - SKU 33353044
5304-7N - QN PNL FTBD - SKU 33753042
5304-9N - QK PNL RAILS - SKU 33953046
5312-3 - QN PNL HDBD - SKU 32353120
5312-7 - QN PNL FTBD - SKU 32753128
5312-9 - QK PNL RAILS - SKU 32953122

This product is manufactured by **REN**R for **ROOMS TO GO** ▶

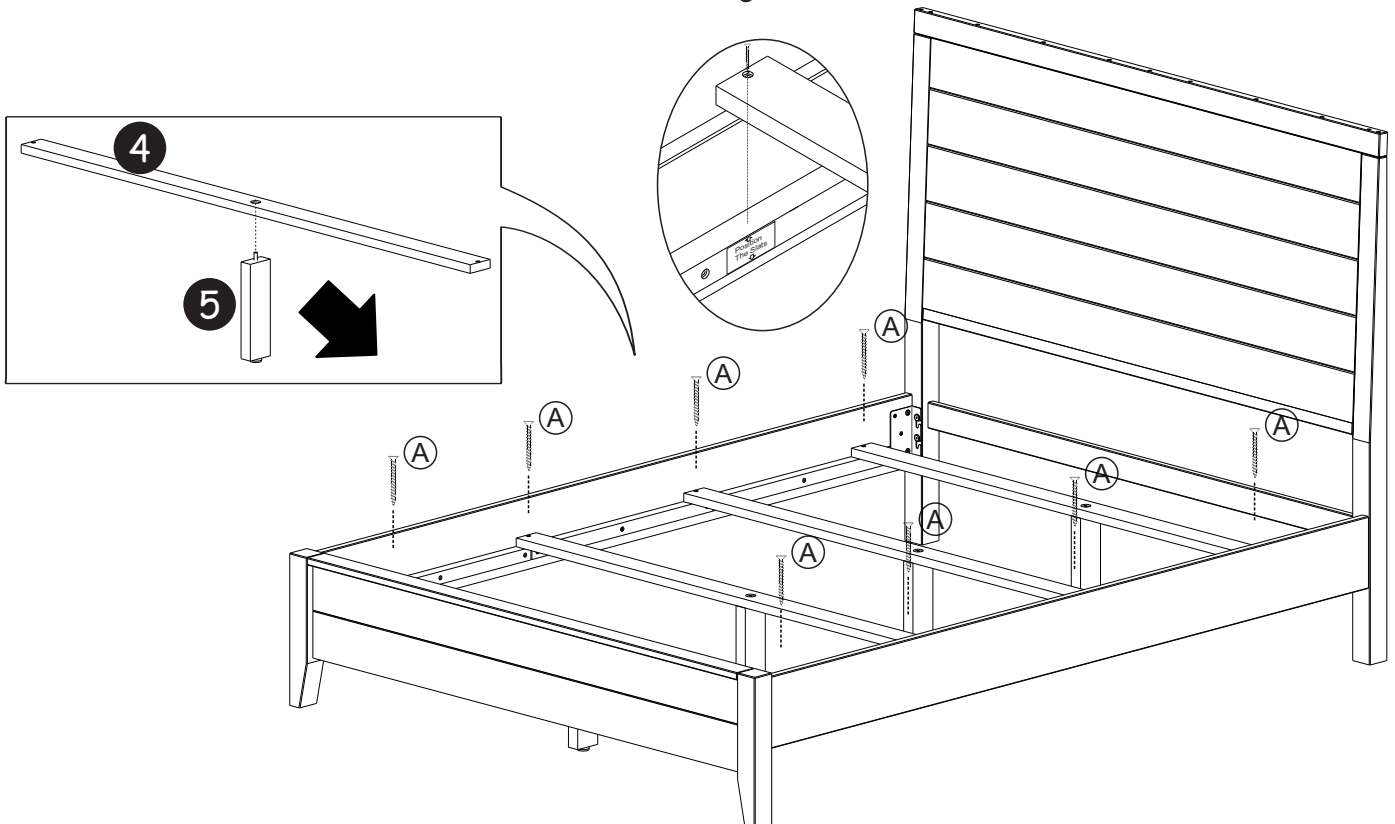
Step 1 LOW POSITION BED

- * Fit the side rails(03) to the headboard(01) screws and the footboard(02) screws.
- * Tighten the screws with the allen key (B)



Step 2

- * Thread the support leg(05) in the slats(04) and place between the side rails(03)
- * Tighten all screws (A) using philips head screw driver(not included)
- * Fit the Slats (04) to the side rails(03) marking.



ASSEMBLY INSTRUCTIONS

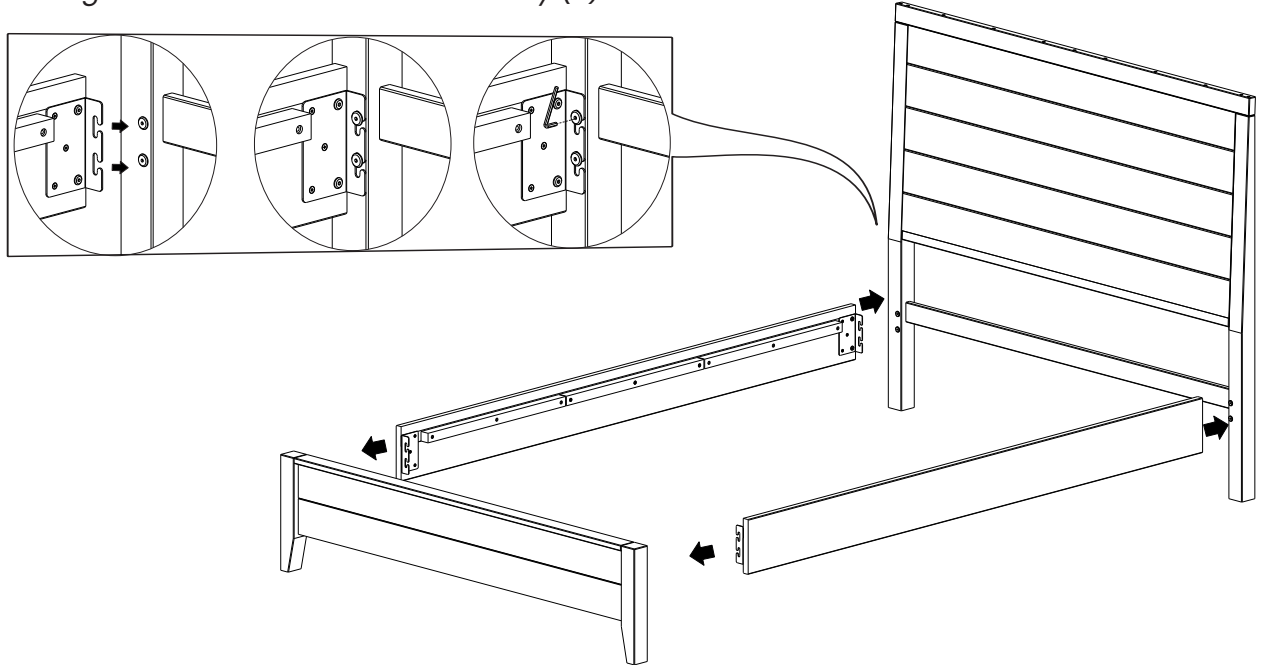
5306-3N - QN PNL HDBD - SKU 33353068
5306-7N - QN PNL FTBD - SKU 33753066
5306-9N - QK PNL RAILS - SKU 33953060
5308-3N - QN PNL HDBD - SKU 33353082
5308-7N - QN PNL FTBD - SKU 33753080
5308-9N - QK PNL RAILS - SKU 33953084

5304-3N - QN PNL HDBD - SKU 33353044
5304-7N - QN PNL FTBD - SKU 33753042
5304-9N - QK PNL RAILS - SKU 33953046
5312-3 - QN PNL HDBD - SKU 32353120
5312-7 - QN PNL FTBD - SKU 32753128
5312-9 - QK PNL RAILS - SKU 32953122

This product is manufactured by **RENR** for **ROOMS TO GO** ▶

Step 4 HIGH POSITION BED

- * Invert the position of the side rails(03)
- * Fit the side rails(03) to the headboard(01) screws and the footboard(02) screws.
- * Tighten the screws with the allen key (B)



- ## Step 5
- * Thread the support leg(05) in the extender support leg (06) in the slats(04) and place between the side rails(03)
 - * Tighten all screws (A) using philips head screw driver(not included)
 - * Fit the Slats (04) to the side rails(03) marking.

