
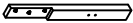


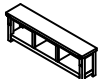


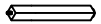

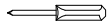




Assembly Instruction





LEGC 1560-4105 QN PANEL HDBD W/LIGHTS SKU # 32315601
 LEGC 1560-4115 QN STORAGE FTBD SKU # 32715609
 LEGC 1560-4901 QN/KG RAILS SKU # 32915603


This product is manufactured by LEGC for **ROOMS TO GO** 

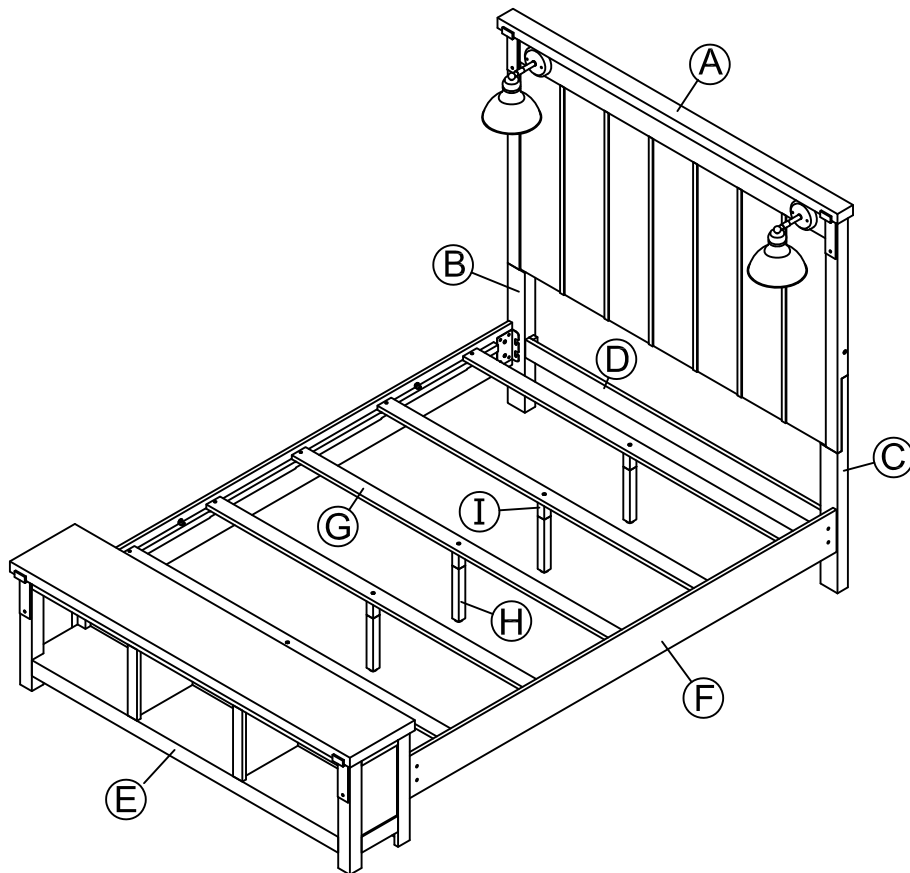
No	PART LIST		Q'TY
A	Headboard panel		1pc
B	Headboard left leg w/bolts		1pc
C	Headboard right leg w/bolts		1pc
D	Stretcher w/bolts		1pc
E	Storage Footboard		1pc
F	Side rails		2pcs
G	Slats		5pcs
H	Long Slat supports		5pcs
I	Short Slat supports		5pcs

TOOLS REQUIRED (NOT PROVIDED)	
Description	Sketch
PHILLIPS SCREWDRIVER	

No	HARDWARE LIST 1		Q'TY
1	Allen key 4mm		1pc
2	Bolt $\phi 1/4"$ -20x1-3/4"		4pcs

No	HARDWARE LIST 2		Q'TY
3	Light arm		2pcs
4	Light cup		2pcs
5	Light bulb		2pcs
6	Power supply		1pc

No	HARDWARE LIST 3		Q'TY
7	Screw $\phi 8 \times 1"$		10pcs



Hardware Pack Location(s):

Hardware list 1&2: LEGC 1560-4105 QN PANEL HDBD W/LIGHTS SKU # 32315601
 Hardware list 3: LEGC 1560-4115 QN STORAGE FTBD SKU # 32715609

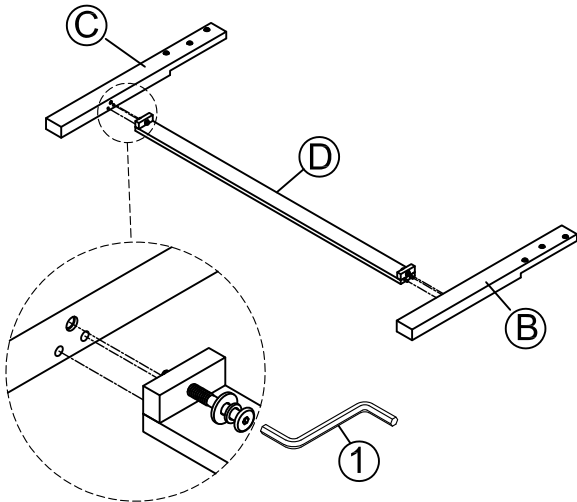
Assembly Instruction

LEGC 1560-4105	QN PANEL HBD W/LIGHTS	SKU # 32315601
LEGC 1560-4115	QN STORAGE FTBD	SKU # 32715609
LEGC 1560-4901	QN/KG RAILS	SKU # 32915603

This product is manufactured by LEGC for **ROOMS TO GO** 

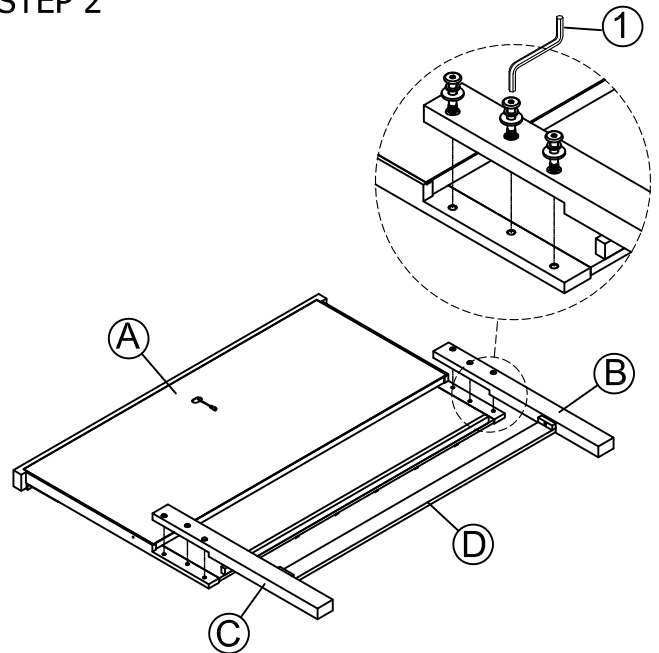
OPTION 1: Mattress only

STEP 1



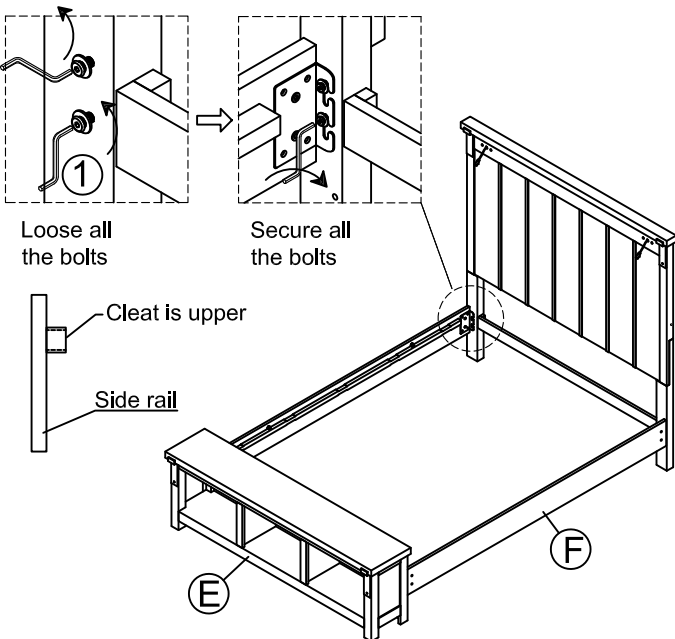
Assemble Stretcher with Headboard legs.

STEP 2



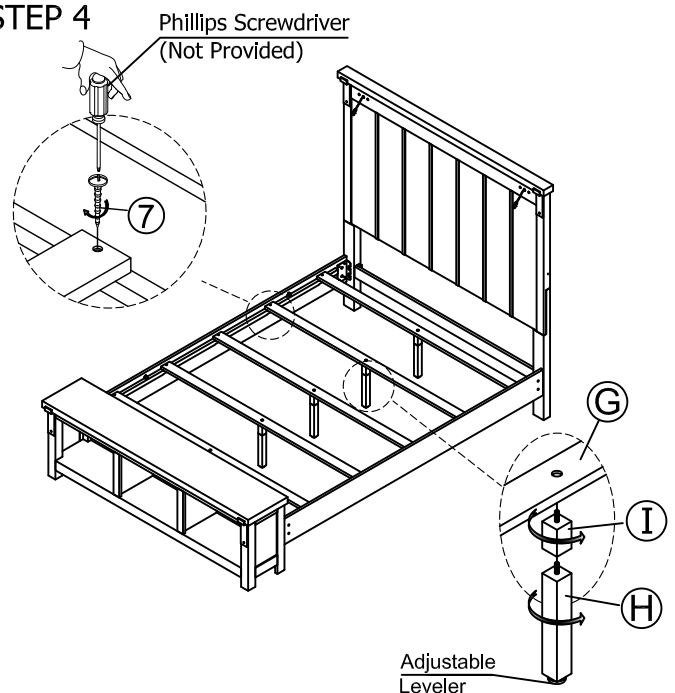
Assemble the legs with the HeadBoard
Do not tighten all bolts until HB is fully assembly

STEP 3



Loose all the bolts that are pre-attached on the HB and FB legs then assemble the side rails to the HeadBoard and FootBoard Bolts

STEP 4



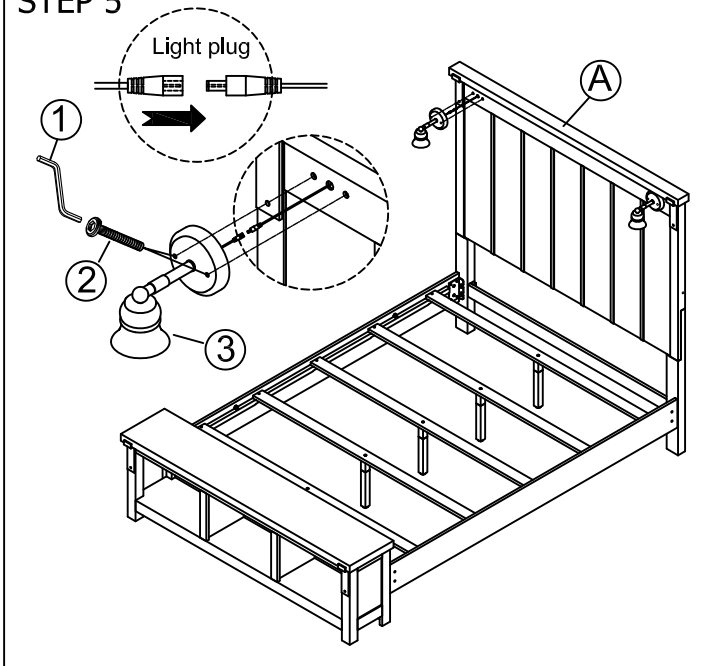
Assemble the support leg to slats then screw the slats to the side rail cleats

Assembly Instruction

LEGC 1560-4105 QN PANEL HDBD W/LIGHTS SKU # 32315601
LEGC 1560-4115 QN STORAGE FTBD SKU # 32715609
LEGC 1560-4901 QN/KG RAILS SKU # 32915603

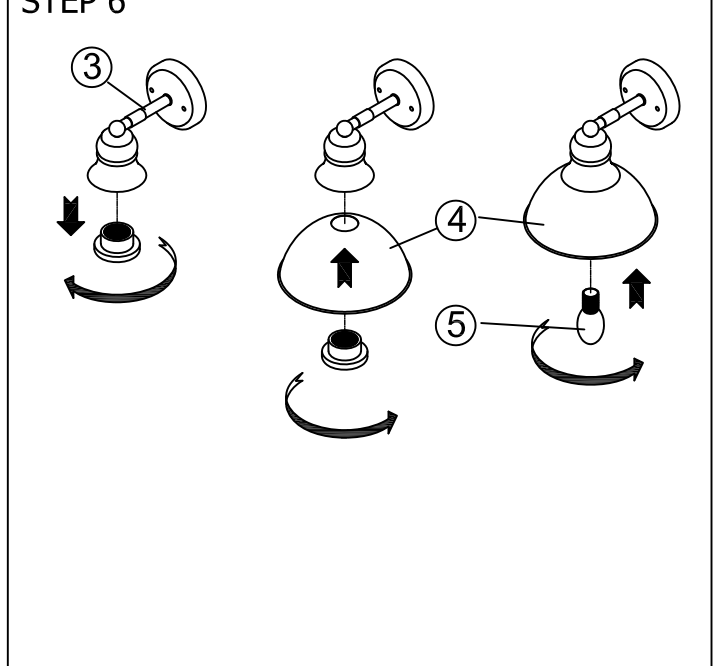
This product is manufactured by LEGC for **ROOMS TO GO** ▶

STEP 5



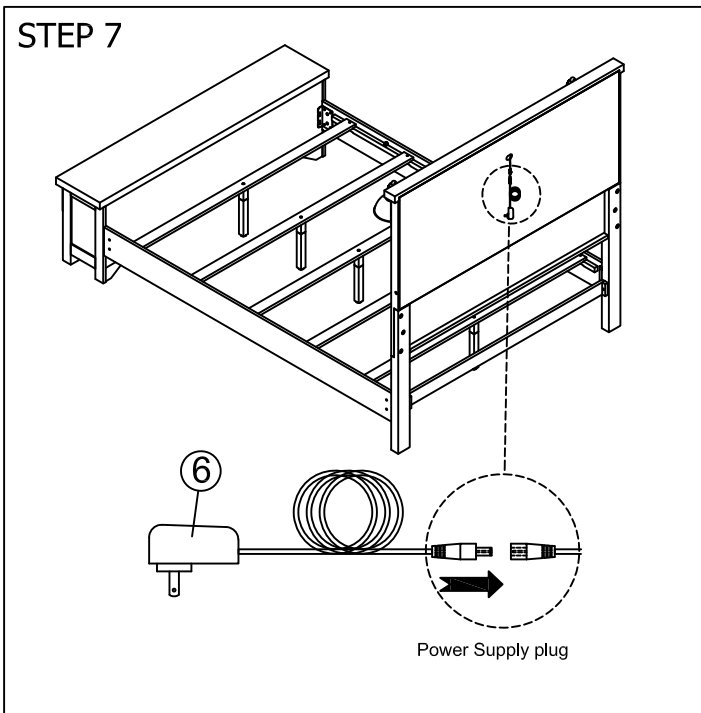
Connect light plug then Assemble Light arm to the Headboard panel

STEP 6



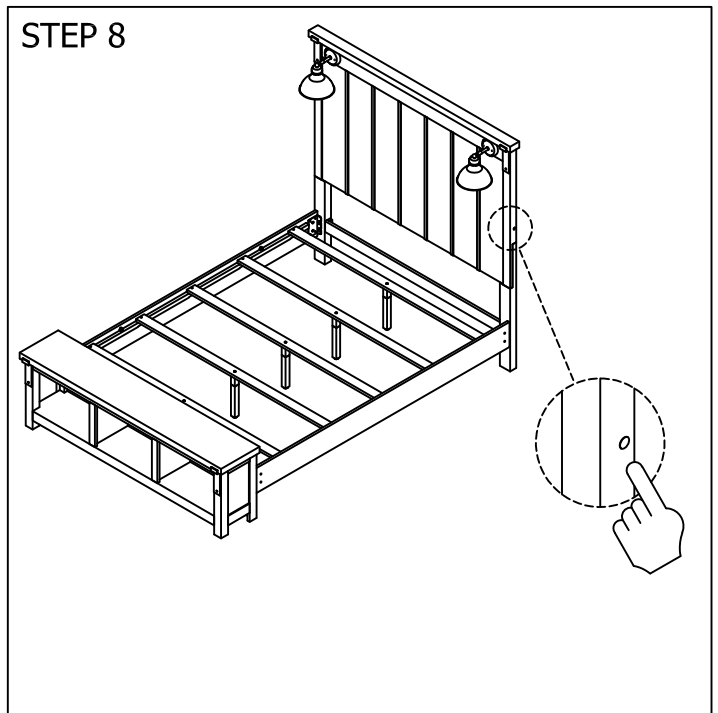
Assemble the lights

STEP 7



Connect power supply to the light

STEP 8



Touch switch for on/ off the light (both side HB)

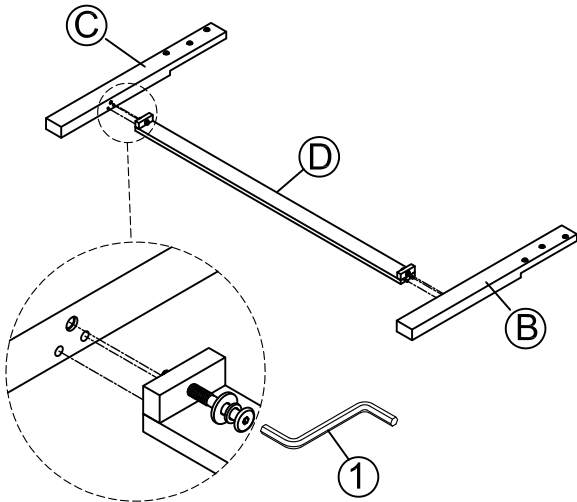
Assembly Instruction

LEGC 1560-4105	QN PANEL HBD W/LIGHTS	SKU # 32315601
LEGC 1560-4115	QN STORAGE FTBD	SKU # 32715609
LEGC 1560-4901	QN/KG RAILS	SKU # 32915603

This product is manufactured by LEGC for **ROOMS TO GO** 

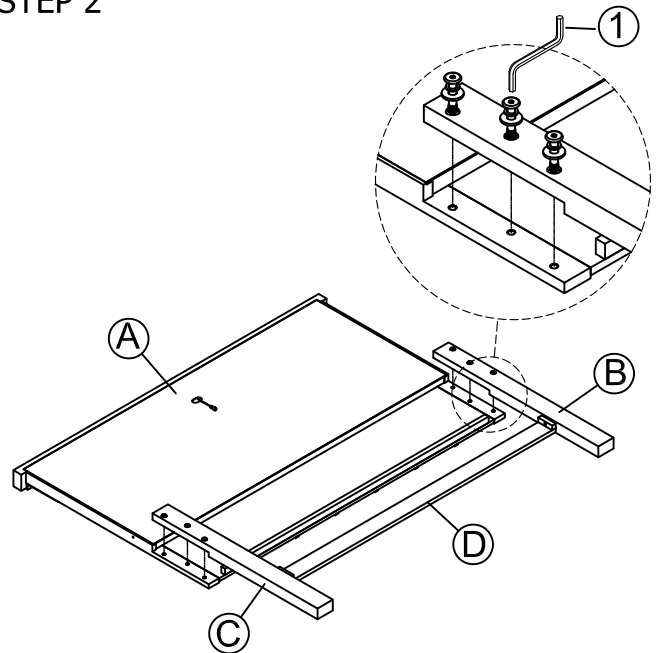
OPTION 2: Mattress & boxspring

STEP 1



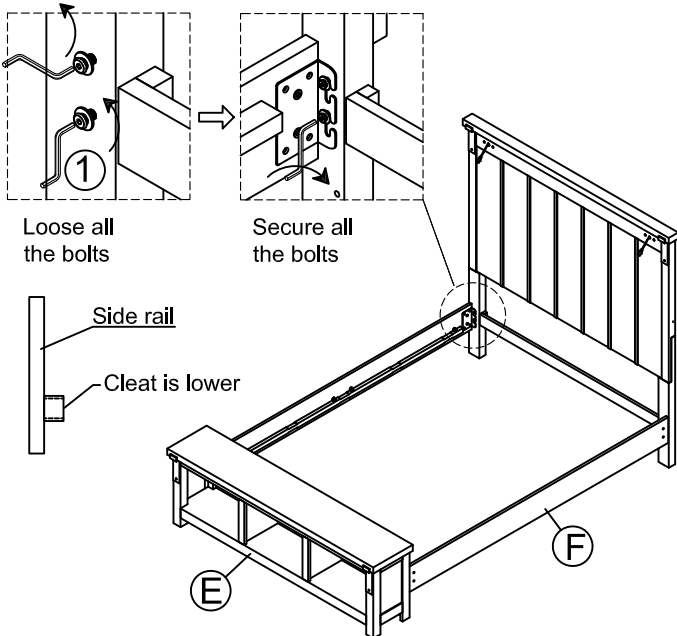
Assemble Stretcher with Headboard legs.

STEP 2



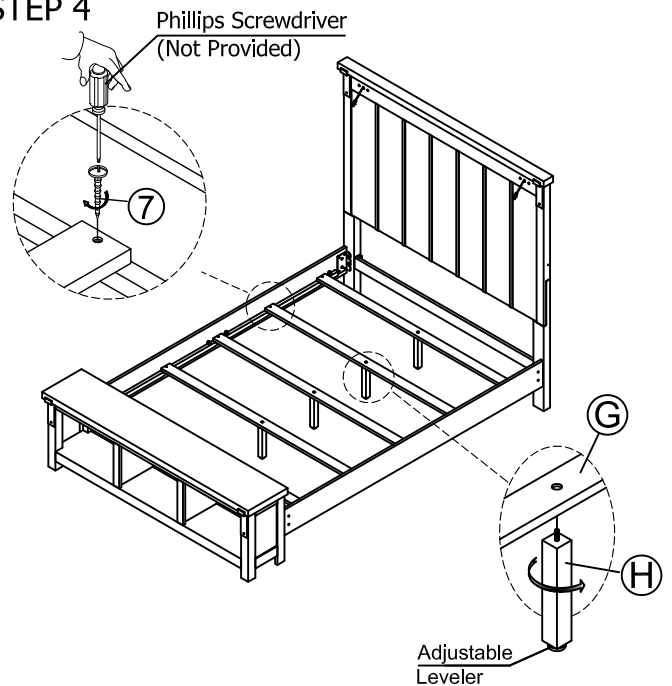
Assemble the legs with the HeadBoard
Do not tighten all bolts until HB is fully assembly

STEP 3



Loose all the bolts that are pre-attached on the HB and FB legs then assemble the side rails to the HeadBoard and FootBoard Bolts

STEP 4



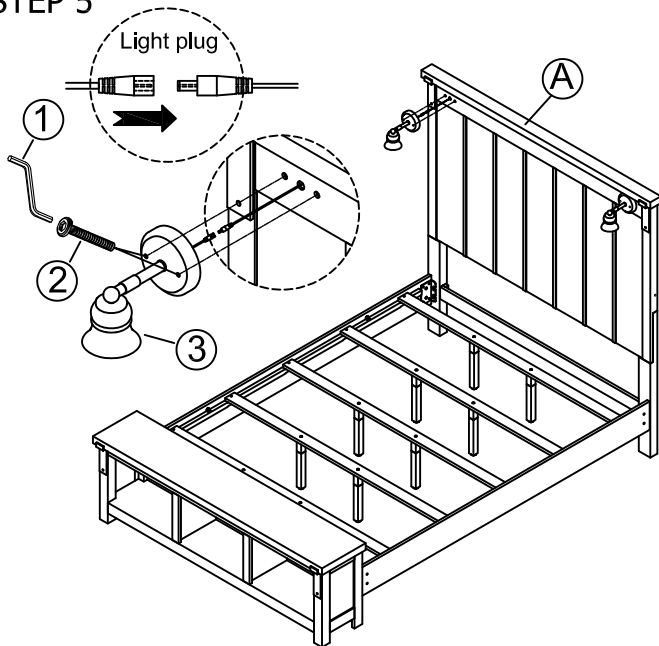
Assemble the support leg to slats then screw the slats to the side rail cleats

Assembly Instruction

LEGC 1560-4105 QN PANEL HBBB W/LIGHTS SKU # 32315601
LEGC 1560-4115 QN STORAGE FTBD SKU # 32715609
LEGC 1560-4901 QN/KG RAILS SKU # 32915603

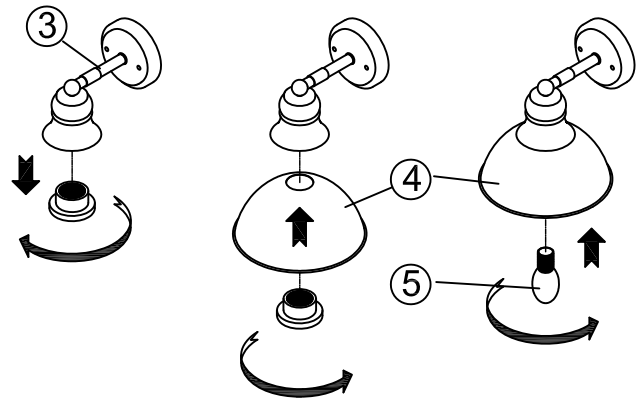
This product is manufactured by LEGC for **ROOMS TO GO** ▶

STEP 5



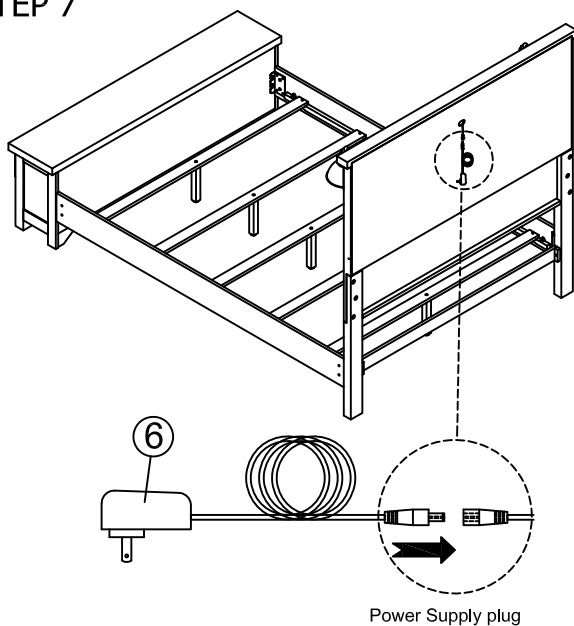
Connect light plug then Assemble Light arm to the Headboard panel

STEP 6



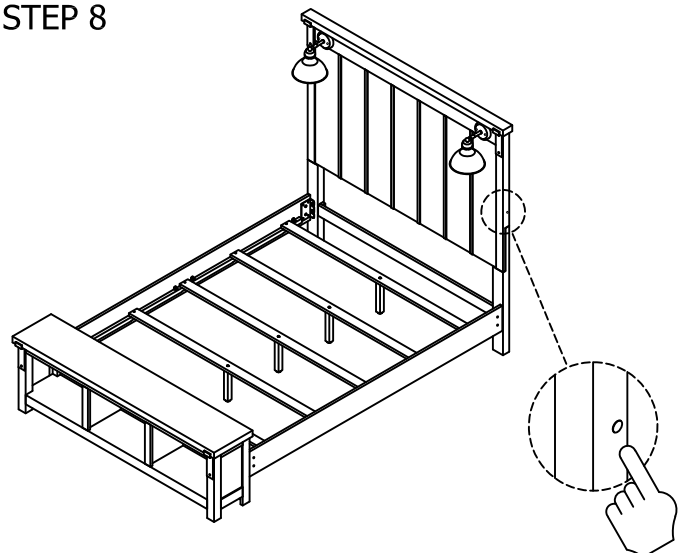
Assemble the lights

STEP 7



Connect power supply to the light

STEP 8



Touch switch for on/ off the light (both side HB)



WARNING

Misuse can result in FIRE or DEATH by ELECTRICAL SHOCK

12V/2A

SHENZHEN GEAO TECHNOLOGY CO., LTD

GEO241U-120200

Read all instructions before using this furnishing.

DANGER — To reduce the risk of electric shock

1. Always unplug this furnishing from the electrical outlet before cleaning or servicing.

WARNING — To reduce the risk of burns, fire, electric shock, or injury to persons:

1. Unplug from outlet before putting on or taking off parts.
2. Never operate this furnishing if it has a damaged electrical cord or plug, if it is not working properly, or if the electrical cord or plug has been damaged or dropped into water. Stop using this furnishing and call a service center for examination and repair.
3. Keep the electrical cord and plug away from heated surfaces and other heat sources.
4. To disconnect, turn all controls to the off position, then remove plug from outlet.
5. When operating, ensure that electrical cord is not under the base, legs, or motion mechanism to avoid damage to electrical cord or plug,
6. Do not strain or stretch electrical cord.
7. Do not use extension cords or power strips.
8. Keep out of reach of children. This is not a toy.
9. Plug directly into a compatible electrical socket.
10. Do not modify the plug or use any adapters.



WARNING

El mal uso puede provocar INCENDIO o MUERTE por DESCARGA ELÉCTRICA

12V/2A

SHENZHEN GEAO TECHNOLOGY CO., LTD

GEO241U-120200

Leer todas las instrucciones antes de usar este mobiliario.

PELIGRO — Para reducir el riesgo de descarga eléctrica:

1. Siempre desenchufe este accesorio de la toma de corriente eléctrica antes de limpiarlo o repararlo.

ADVERTENCIA: para reducir el riesgo de quemaduras, incendios, descargas Eléctricas o lesiones a personas:

1. Desenchufe del tomacorriente antes de colocar o quitar partes.
2. Nunca opera este accesorio si tiene un cable o enchufe eléctrico dañado, si no funciona correctamente, o si el cable o el enchufe eléctrico se ha dañado o se ha caído al agua. Deje de usar este equipamiento y llame a un centro de servicio para que lo examinen y lo reparen.
3. Mantenga el cable eléctrico y el enchufe lejos de superficies calientes y otras fuentes de calor.
4. Para desconectar, gire todos los controles a la posición de apagado, luego retire el enchufe del tomacorriente.
5. Al operar, asegúrese de que el cable eléctrico no esté debajo de la base, las patas o el mecanismo de movimiento para evitar dañar el cable eléctrico o el enchufe.
6. No fuerce ni estire el cable eléctrico.
7. No utilizar cables de extensión o tomas de corriente.
8. Mantener fuera del alcance de los niños. Esto no es un juguete
9. Enchúfelo directamente a una toma de corriente compatible.
10. No modifique el enchufe ni utilice adaptadores.