



# ASSEMBLY INSTRUCTION

GLOB - 32358118 - #5811 - 4 QUEEN SLEIGH PLATFORM HEADBOARD  
 GLOB - 32758116 - #5811 - 6 QUEEN LOW PROFILE FOOTBOARD  
 GLOB - 32958110 - #5811 - 7 SIDE RAILS

Thank you for purchasing this quality product . Be sure to check all packing material carefully for small parts which may have come loose inside the carton during shipment .Identify and count all parts and compare with the parts list below .

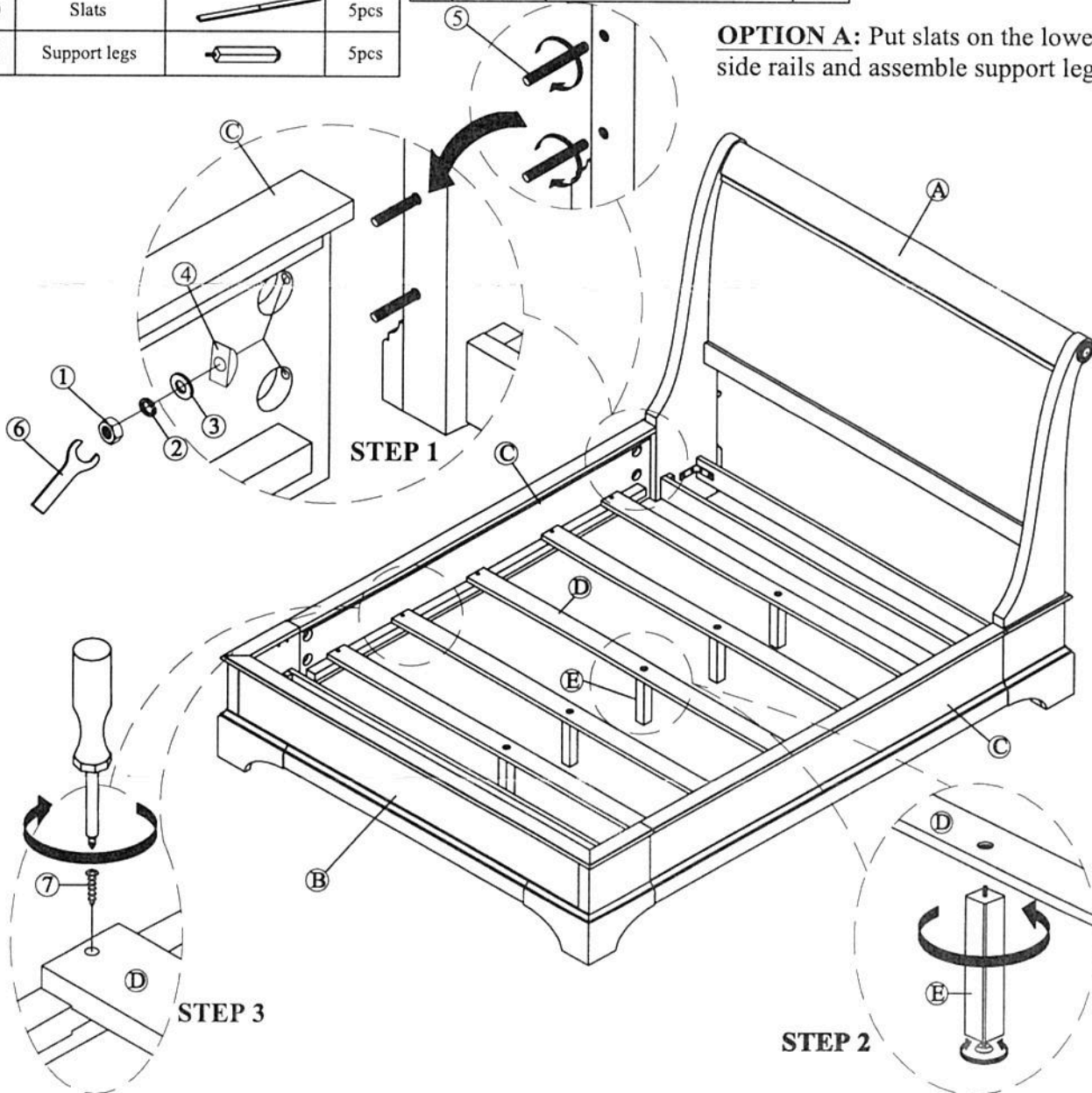
PARTS LIST		QTY
A	HeadBoard	1pc
B	FootBoard	1pc
C	Side rails	2pcs
D	Slats	5pcs
E	Support legs	5pcs

HARDWARE LIST 1 (Packed with: Side rail together)		QTY
1	Nut Ø5/16"xD12xH6mm	8pcs
2	Lock washer Ø5/16"x14x1mm	8pcs
3	Flat washer Ø5/16"x18x1mm	8pcs
4	Curve washer Ø5/16"	8pcs
5	Bolt Ø5/16"x18x3-1/2"	8pcs
6	Wrench D12mm	1pc

HARDWARE LIST 2 (Packed with Queen FB together)		QTY
7	Screw Ø8 x 1"	10pcs
8	Allen key 4mm	1pc

HARDWARE REQUIRED		QTY
	Screwdriver (Not Provided)	1pc

**OPTION A:** Put slats on the lower cleat of side rails and assemble support leg to each sla





## ASSEMBLY INSTRUCTION

GLOB - 32358118 - #5811 - 4 QUEEN SLEIGH PLATFORM HEADBOARD  
GLOB - 32758116 - #5811 - 6 QUEEN LOW PROFILE FOOTBOARD  
GLOB - 32958110 - #5811 - 7 SIDE RAILS

Thank you for purchasing this quality product . Be sure to check all packing material carefully for small parts which may have come loose inside the carton during shipment. Identify and count all parts and compare with the parts list below .

### OPTION B: Motion Bed

Remove the Stretcher from Headboard and Footboard. Using allen key (2) turn it all the Bolt with washers on the Stretcher.

