



Assembly Instruction

HAYWORTH QUEEN BED
 BSSB
 HB+FB+LEG+FLAT SLAT+CL : SKU # 32366064 / SKU # 32366038
 SKU # 32366088 / SKU # 32366052
 SR : SKU # 32766062 / SKU # 32766036 / SKU # 32766086 / SKU # 32766050

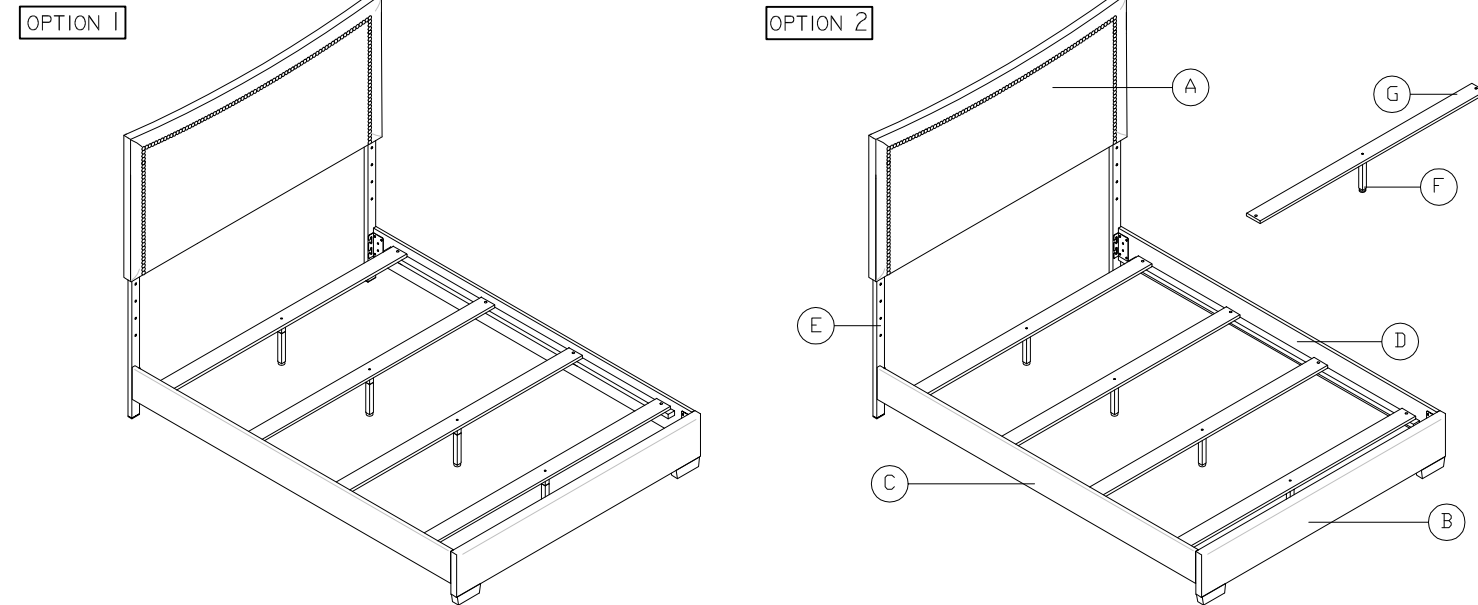
Manufactured for Rooms To Go

Thank you for purchasing this quality product. Be sure to check all packing material carefully for small parts, which may have come loose inside the carton during shipment. Identify and count all parts and compare with the Hardware List as below:

Hardware List:				
No.	Picture	Description	Dimension	QTY
1		Machine Screw (Bolt)	M8 x P1.25 x 20mm	4
2		Machine Screw (Bolt)	M8 x P1.25 x 30mm	12
3		JCN Nut	M8 x 20mm	4
4		Machine Screw (Bolt)	M8 x P1.25 x 40mm	4
5		Allen Key M5	-	2
6		Flat Washer	M8 x 18mm	12
7		Spring Washer	M8	12

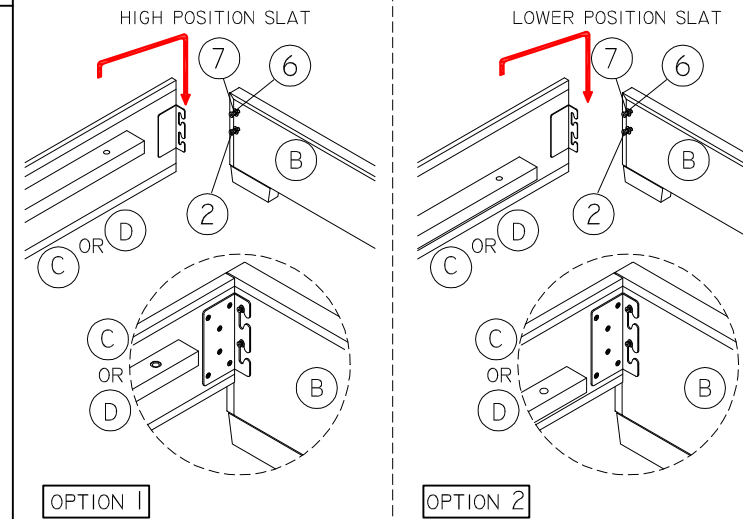
Parts List:							
No.	Picture	Description	QTY	No.	Picture	Description	QTY
A		Headboard	1	E		HB Metal Post	2
B		Footboard	1	F		Center Support Leg	4
C		Side Rail (Left) Reversible	1	G		Flat Slat	4
D		Side Rail (Right) Reversible	1				

Warning!!
 This product contains small parts and packaging that should be kept away and out of reach from all children.



STEP 1 - ATTACHING SIDE RAIL TO FOOTBOARD

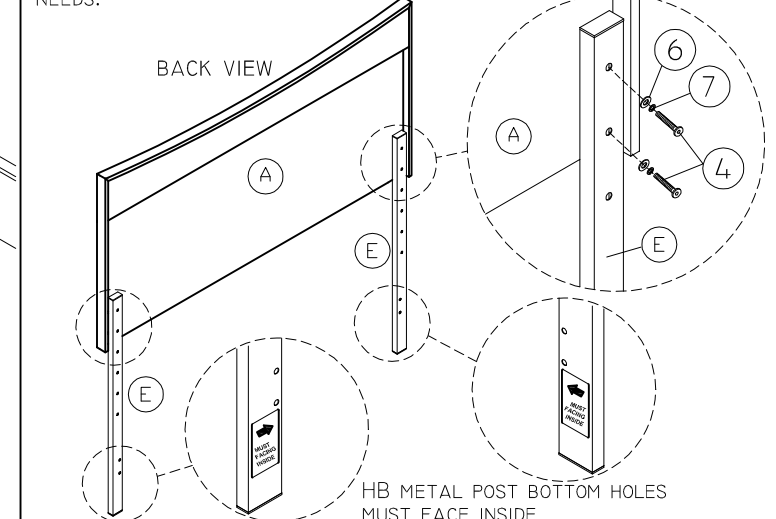
LOOSEN THE BOLTS & WASHERS FROM FOOTBOARD. CHOOSE BETWEEN HIGH OR LOWER SLAT POSITION BEFORE ATTACH THE SIDE RAIL. HOOK SIDE RAIL BRACKET OVER BOLTS (2), WASHERS (6) & (7). SCREW BOLTS & WASHERS TIGHTLY IN WITH THE ALLEN KEY (5) PROVIDED.



STEP 2 - ATTACHING HB METAL POST TO HEADBOARD

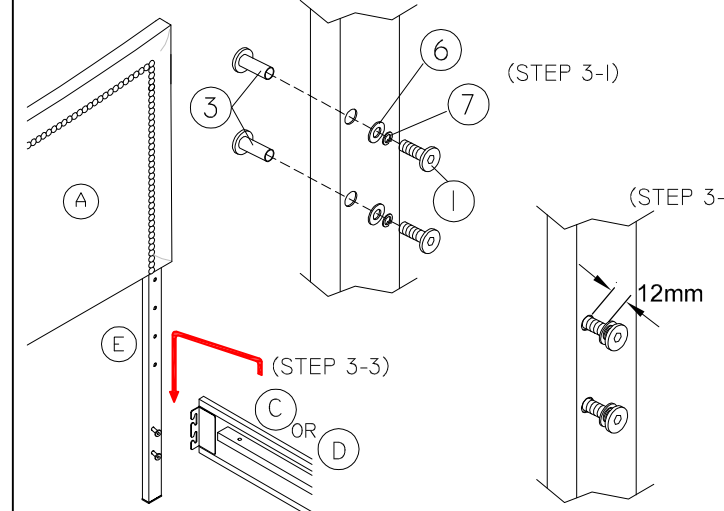
CAREFULLY UNPACK ALL ITEMS FROM THE CARTONS. ATTACH HB METAL POST (E) TO BACK OF HEADBOARD (A). SCREW BOLTS (4), WASHERS (6) & (7) TIGHTLY IN WITH THE ALLEN KEY (5) PROVIDED.

NOTES: THE HB METAL POST LEVEL CAN BE ADJUST ACCORDING TO NEEDS.



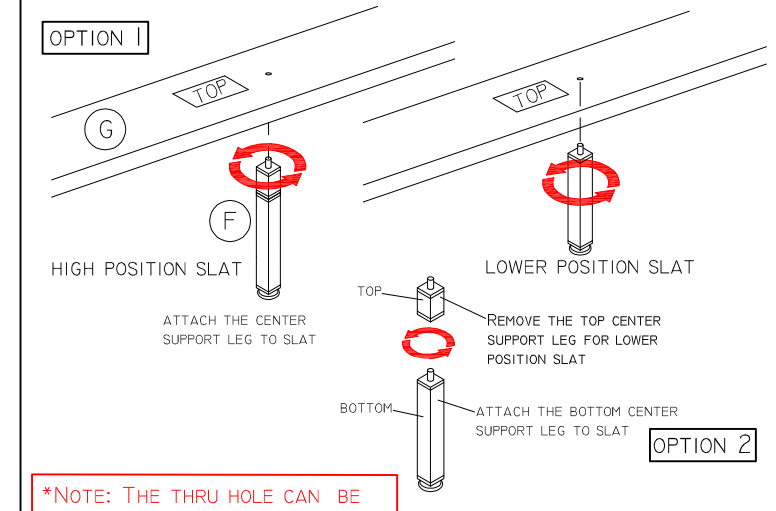
STEP 3 - ATTACHING SIDE RAIL TO HEADBOARD

INSERT THE JCN NUT (3), BOLT (1), WASHERS (6) & (7) TO THE HB METAL POST (E) (STEP 3-1 & 3-2). HOOK & ATTACH SIDE RAIL BRACKET OVER BOLTS (1), WASHERS (6) & (7) AND TIGHTEN IN WITH THE ALLEN KEY (5) PROVIDED.



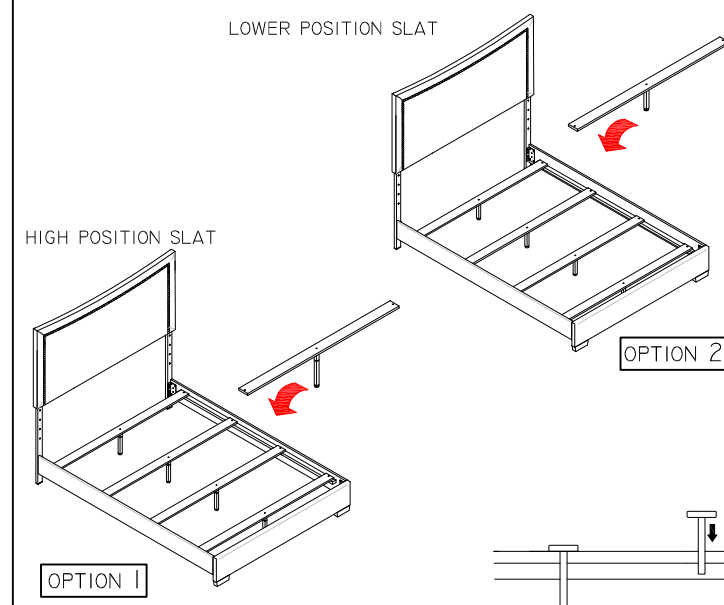
STEP 4 - ATTACHING CENTER SUPPORT LEG TO THE SLAT

TIGHTEN IN THE CENTER SUPPORT LEG TO THE INSERT NUT HOLE AT THE SLAT (G). FOR LOWER POSITION SLAT, REMOVE THE TOP CENTER SUPPORT LEG AND ATTACH THE BOTTOM CENTER SUPPORT LEG TO INSERT NUT HOLE AT SLAT.



STEP 5 - ATTACHING SLAT TO THE BED

ATTACH THE SLAT (G) TO THE PLACE ARE READY AS SHOWN.



STEP 6 - ATTACHING BOLTS TO THE SLATS

FIX THE SLATS WITH BOLTS (2) USING ALLEN KEY (5) PROVIDED. THEN LEVEL THE LEG TO THE FLOOR.

