



# ASSEMBLY INSTRUCTIONS

ALAM 6710-3 : QN HDBD # SKU 32367105  
 ALAM 6710-7 : QN FTBD # SKU 32767103  
 ALAM 6710-9 : QN/KG RVS RAILS # SKU 32967107

ALAM 7710-3 : QN HDBD # SKU 32377106  
 ALAM 7710-7 : QN FTBD # SKU 32777104  
 ALAM 7710-9 : QN/KG RVS RAILS # SKU 32977108

Thank you for purchasing this quality product. Be sure to check all packing material carefully for small parts, which may have come loose inside the carton during shipment.

Identify and count all parts and compare with the Hardware List below.

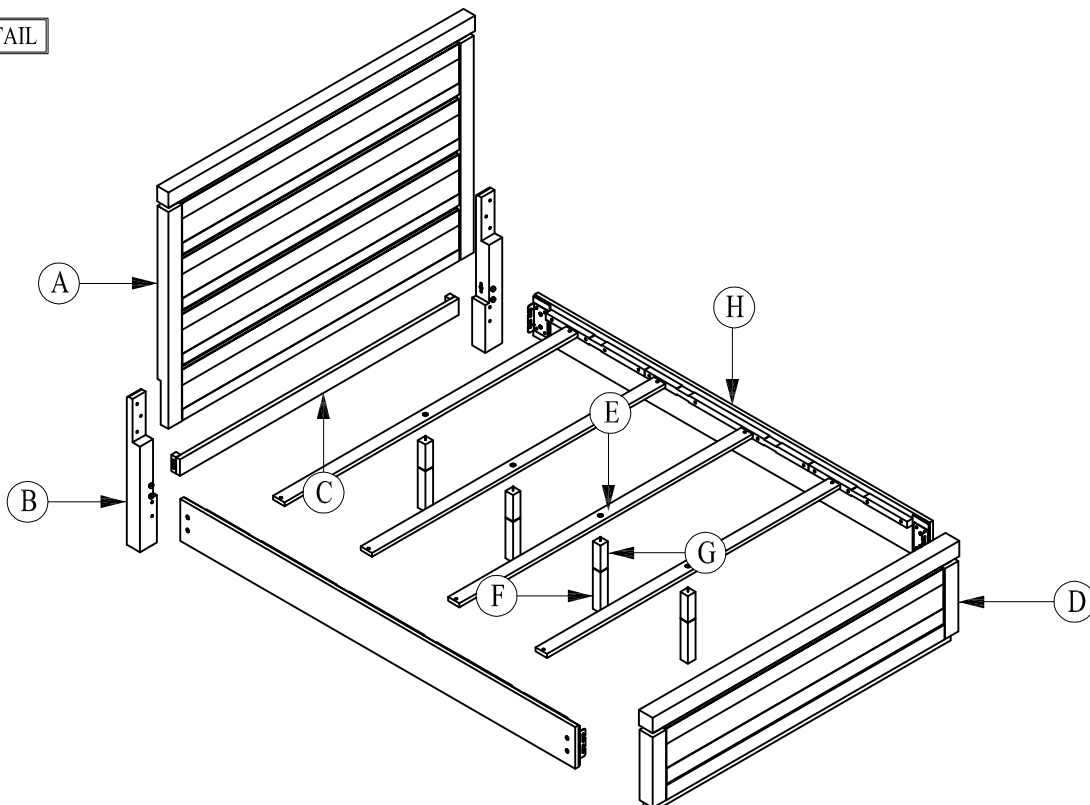
	No.	Description	Qty
<b>Headboard</b>	A	Headboard	1 Pc
	B	Legs (L - R )	2 Pcs
	C	Stretcher	1 Pc

<b>Footboard</b>	D	Footboard	1 Pc
	E	Slats	4 Pcs
	F	Regular Leg Supports	4 Pcs
	G	Leg extensions	4 Pcs

<b>Siderail</b>	H	Siderails	2 Pcs
-----------------	---	-----------	-------

	No.	Picture	Description	Dimension	Qty
<b>Hardware List</b>	1		Screws	Ø8 x 1 1/4"	8 Pcs
	2		Bolts	5/16" x 18 x 1 3/4"	8 Pcs
	3		Lock Washers	Ø8 x Ø14 x 2 mm	8 Pcs
	4		Flat Washers	Ø8 x Ø18 x 1 mm	8 Pcs
	5		Allen Key	5 x 65 mm	1 Pc
	6		Dowels	Ø10 x 40 mm	4 Pcs
	7		Phillip Headscrew Driver ( not included )		

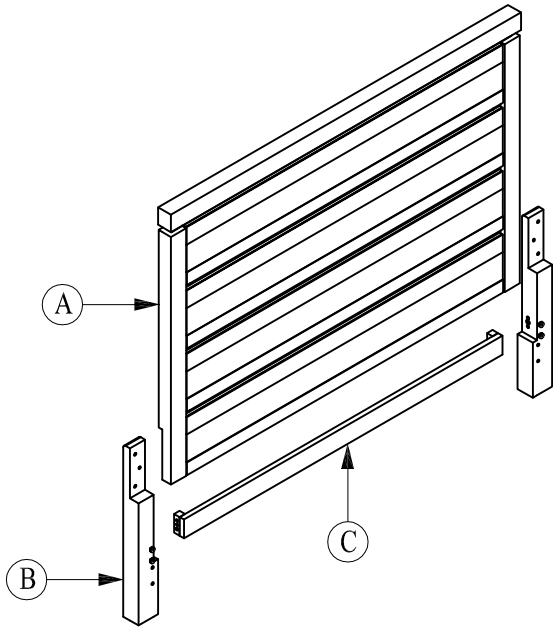
## PART DETAIL



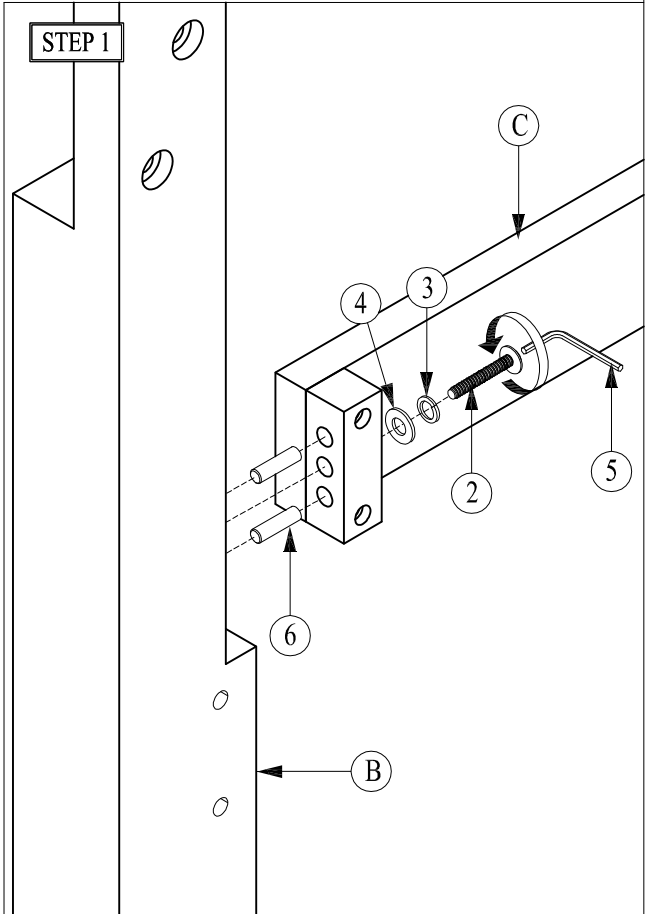
ALAM 6710-3 : QN HDBD # SKU 32367105  
ALAM 7710-3 : QN HDBD # SKU 32377106

### ASSEMBLY STEP

#### PART DETAIL

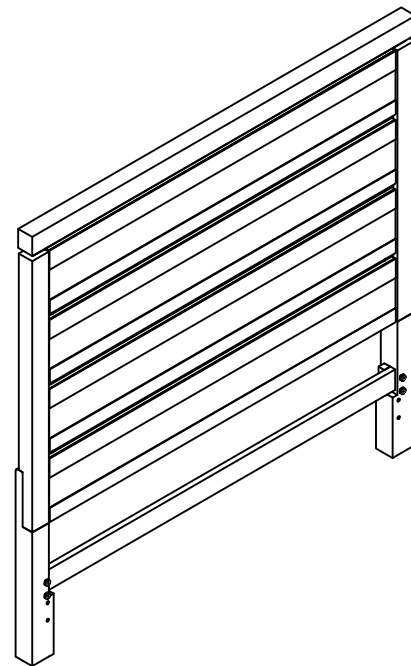
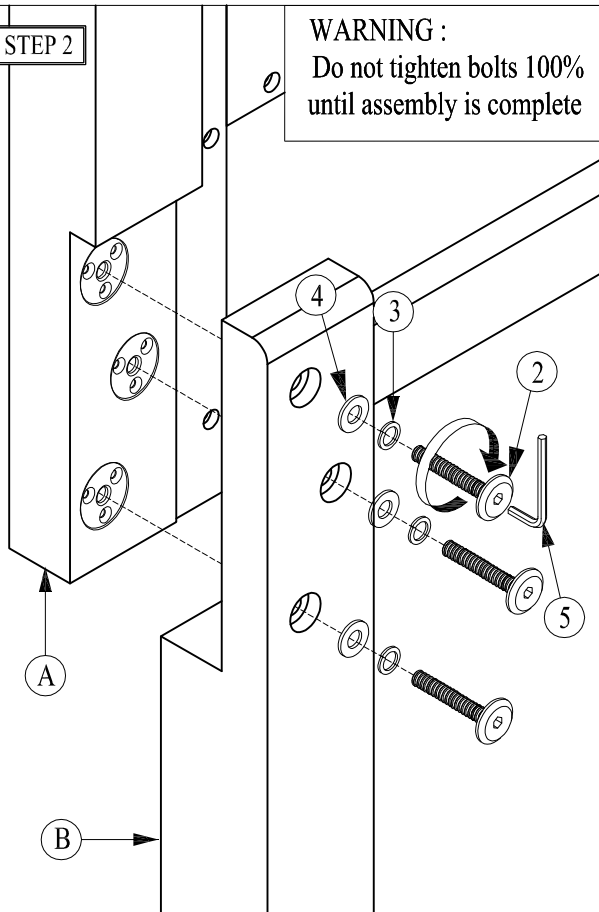


#### STEP 1



#### STEP 2

**WARNING :**  
Do not tighten bolts 100%  
until assembly is complete

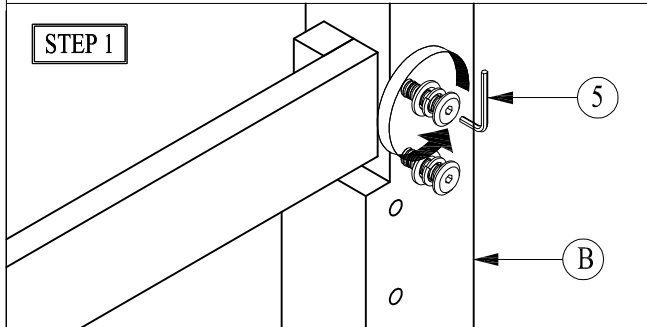


ASSEMBLY COMPLETE

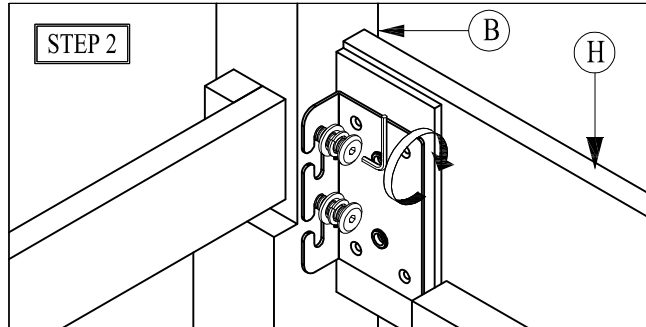
ALAM 6710-9 : QN/KG RVS RAILS # SKU 32967107

ALAM 7710-9 : QN/KG RVS RAILS # SKU 32977108

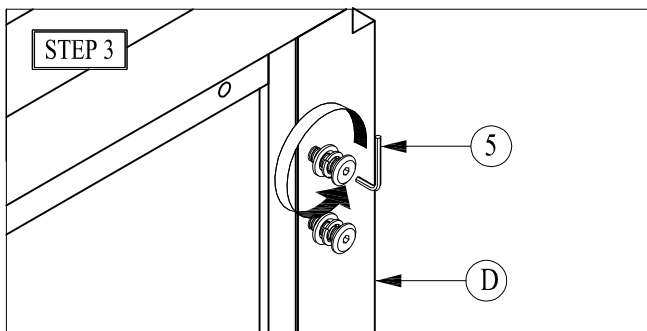
## ASSEMBLY STEP



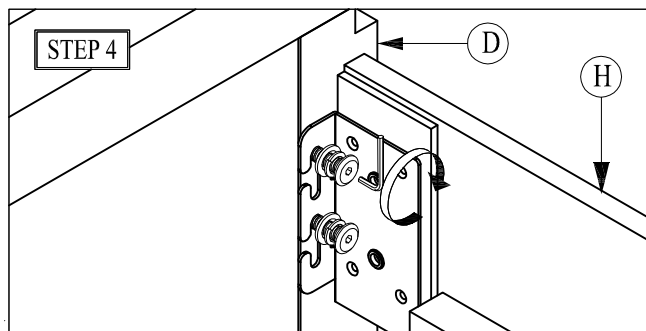
Slightly loose the Bolt on the Leg ( B )



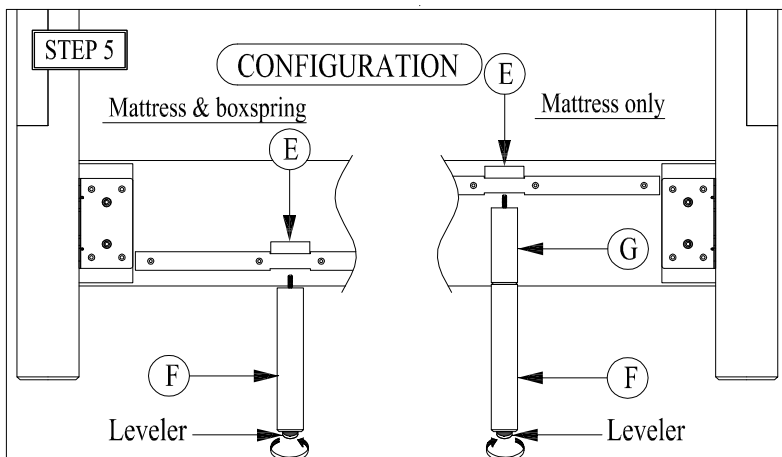
Attach Regular Siderail ( H ) to Leg ( B )



Slightly loose the Bolt on the Footboard ( D )

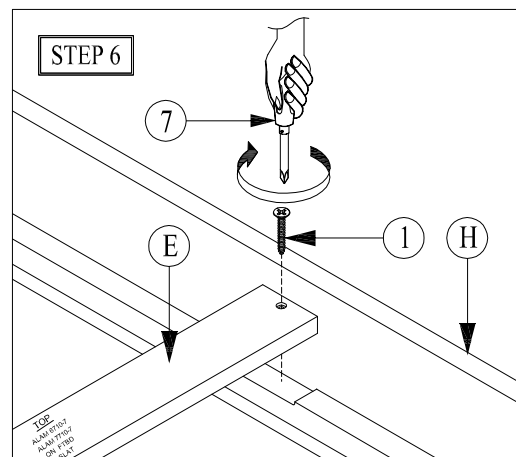


Attach Regular Siderail ( H ) to Footboard ( D )

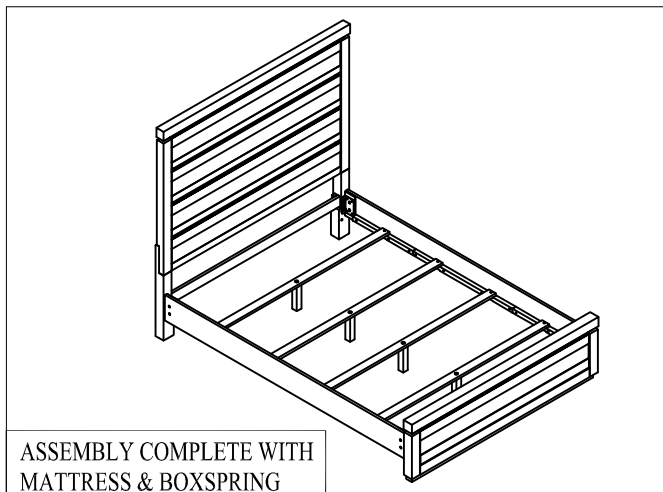


Tighten leg support ( F ) to slat ( E )

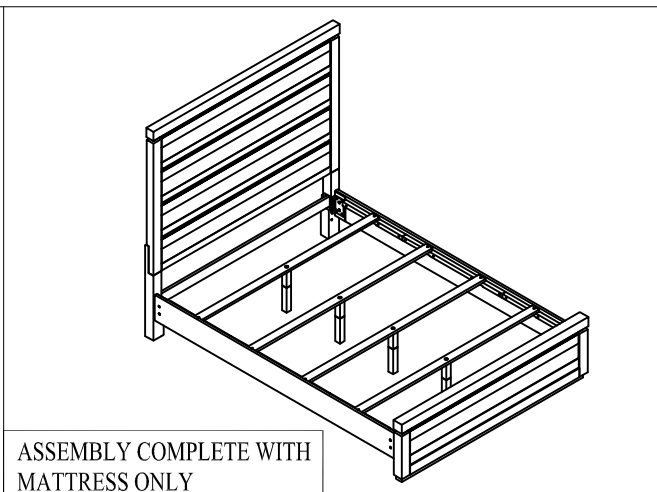
Tighten leg ext. ( G ) to slat ( E )



Attach Slats ( E ) to Siderail ( H ) using screw ( 1 ) with screw driver ( 7 ) follow pre-drill on the slats



ASSEMBLY COMPLETE WITH MATTRESS & BOXSPRING



ASSEMBLY COMPLETE WITH MATTRESS ONLY