

ASSEMBLY INSTRUCTION

JSFC

7261 / 7262 - 3C QN HDBD

SKU 32372613 / 32372625


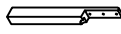
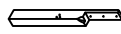




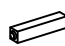

7261 / 7262 - 4A QN FTBD


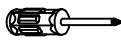
32772611 / 32772623

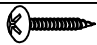
7261 / 7262 - 5A QN/KG RVS RAILS

32972615 / 32972627

Thank you for purchasing this quality product. Be sure to check all packing materials carefully for small parts which may have come loose inside the carton during shipment. Identify and count all parts and compare with the parts list below.

COMPONENT LIST			
NO.	Description	sketch	Q'TY
A	Headboard		1pc
B	Left leg		1pc
C	Right leg		1pc
D	Stretcher		1pc
E	Footboard		1pc
G	Slat		4pcs
H	Long Support leg		4pcs
I	Short Support leg		4pcs
K	Side rail		2pcs

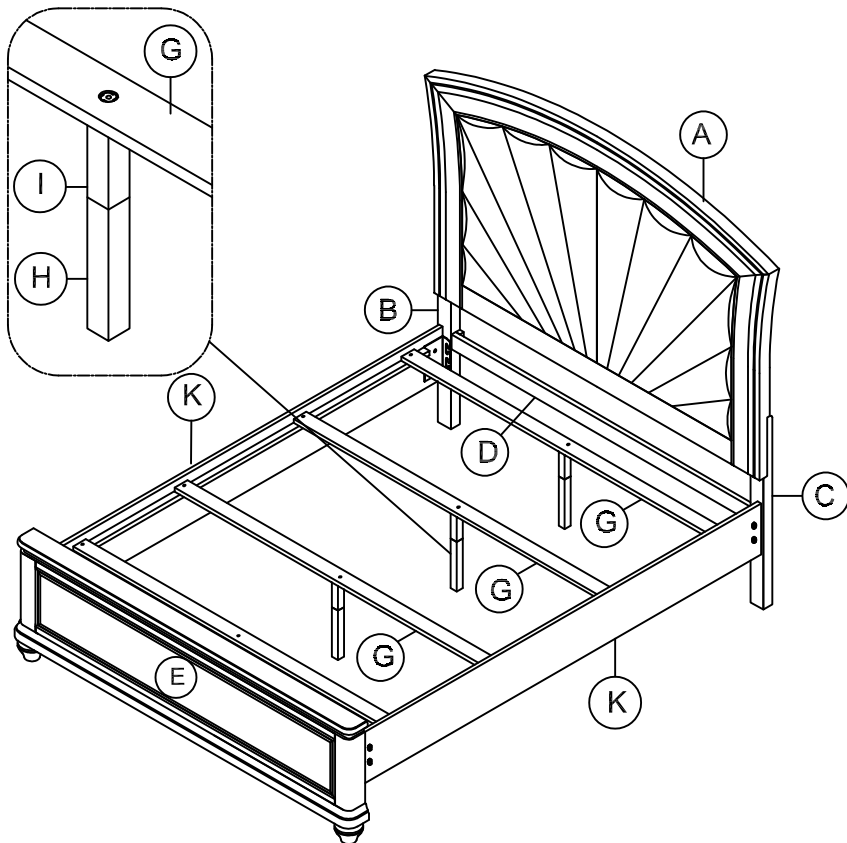
HARDWARE PACKED IN HEADBOARD				
NO.	Picture	Description	Dimension	Q'TY
1		Allen Key	60*22*4mm	1 pc
2		Tool Required (not provided)		

HARDWARE PACKED IN FOOTBOARD				
NO.	Picture	Description	Dimension	Q'TY
3		Screw	#8 x32mm	8pcs

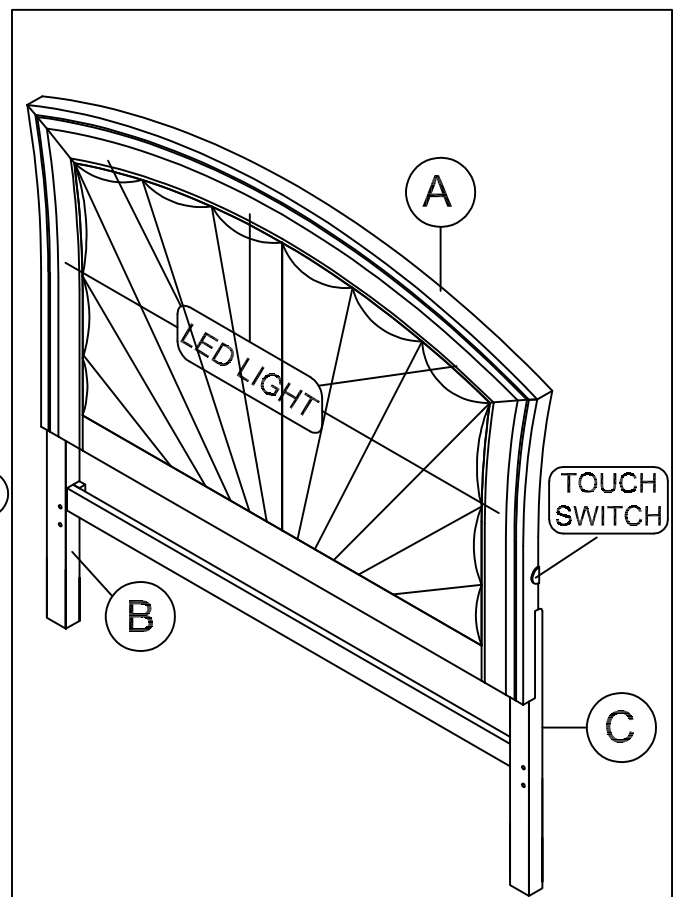
Hardware pack locations

7261 / 7262-3C QN HDBD,SKU #32372613 / #32372625

7261 / 7262-4A QN FTBD,SKU #32772611 / #32772623



PARTS DETAILS



This product is manufactured by **JSFC** for **ROOMS TO GO**

ASSEMBLY INSTRUCTION

JSFC

7261 / 7262 - 3C QN HDBD

SKU 32372613 / 32372625

7261 / 7262 - 4A QN FTBD

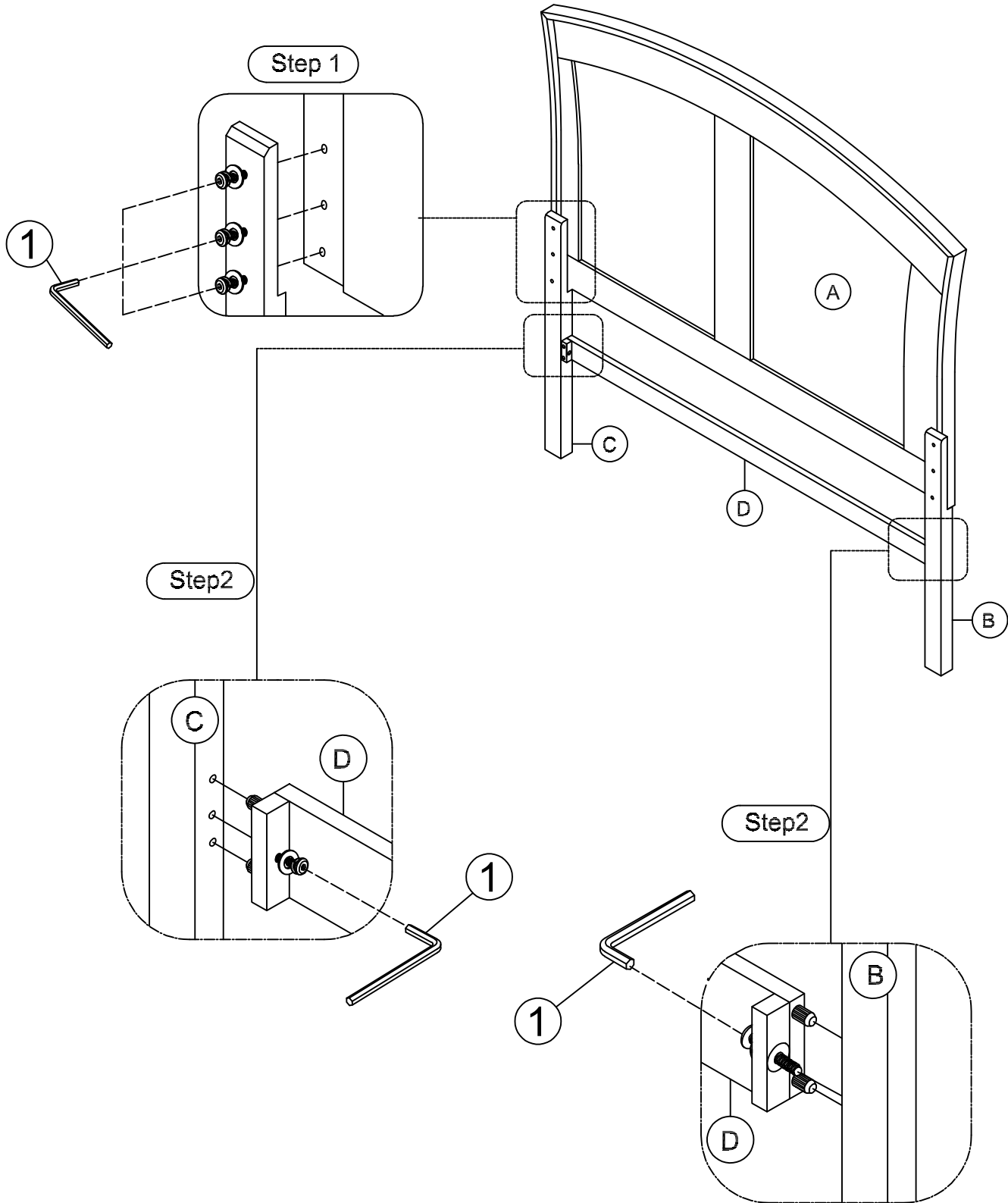
32772611 / 32772623

7261 / 7262 - 5A QN/KG RVS RAILS

32972615 / 32972627

Step 1 . Attach The left/right leg (B/C) to headboard and secure with flat washers, lock washers and bolts using allen key .

Step 2 . Attach the Stretcher (D) to headboard leg and secure with Wooden dowel, flat washers, lock washers and bolts using allen key .



This product is manufactured by **JSFC** for **ROOMS TO GO**

ASSEMBLY INSTRUCTION

JSFC

7261 / 7262 - 3C QN HDBD

SKU 32372613 / 32372625

7261 / 7262 - 4A QN FTBD

32772611 / 32772623

7261 / 7262 - 5A QN/KG RVS RAILS

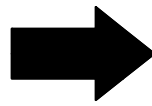
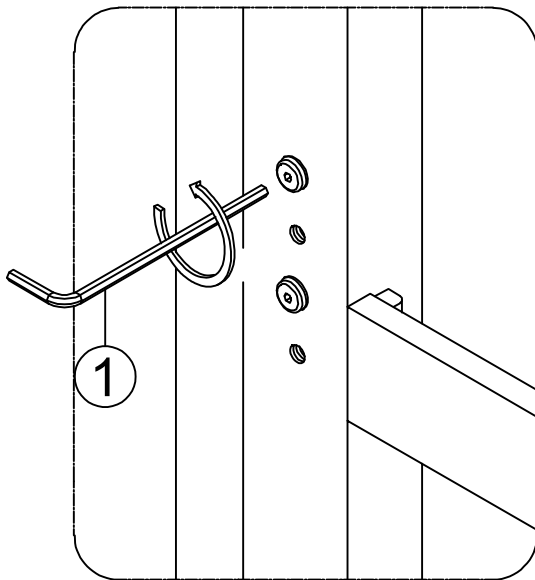
32972615 / 32972627

Step 3 . Using allen wrench to loose the bolts from the headboard & footboard legs.

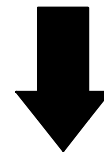
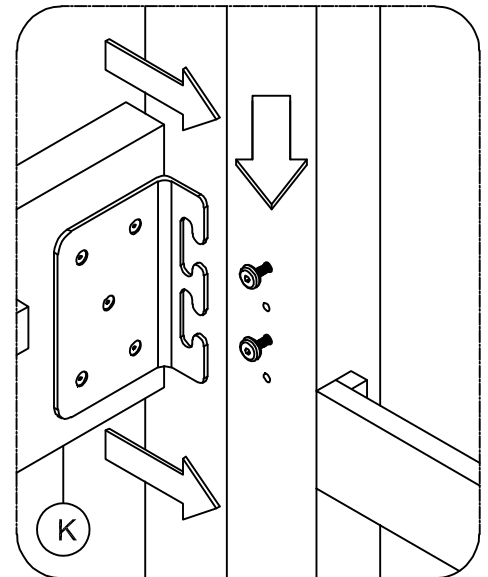
Step 4 . Attach the side rails (K) to headboard and footboard.

Step 5 . Tighten all the bolts using allen wrench.

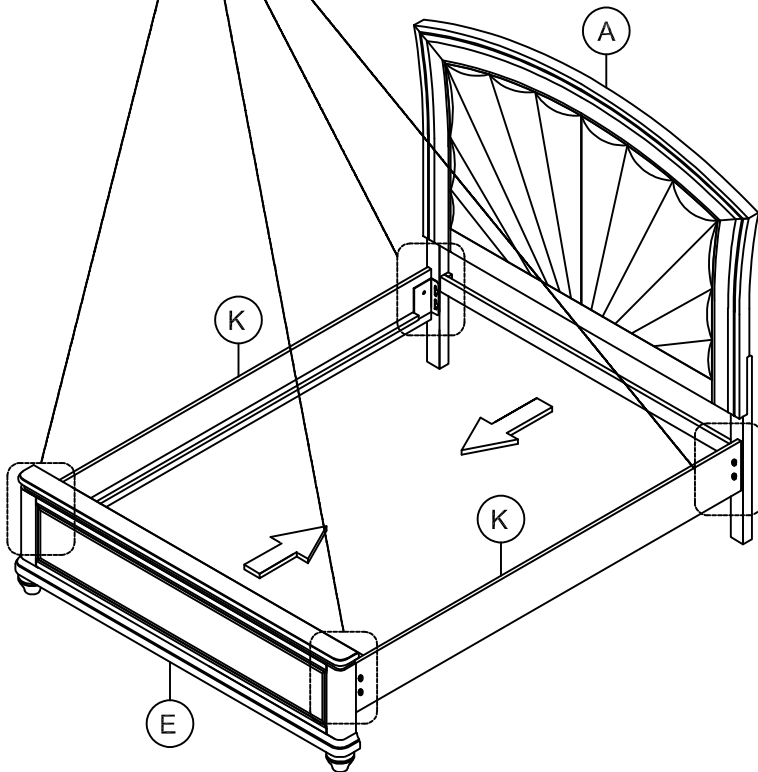
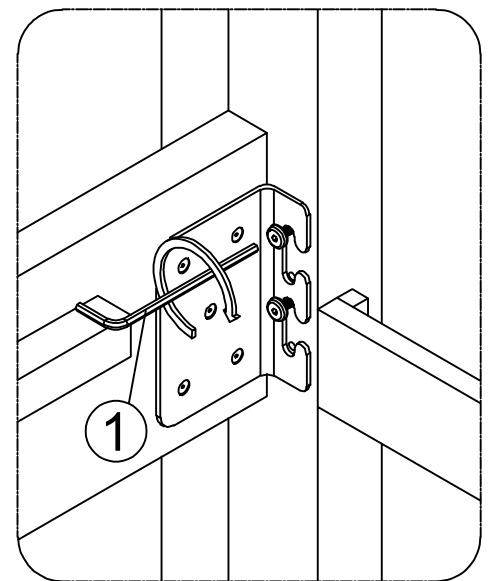
Step 3



Step 4



Step 5



This product is manufactured by **JSFC** for **ROOMS TO GO**

ASSEMBLY INSTRUCTION

JSFC

7261 / 7262 - 3C QN HDBD

SKU 32372613 / 32372625

7261 / 7262 - 4A QN FTBD

32772611 / 32772623

7261 / 7262 - 5A QN/KG RVS RAILS

32972615 / 32972627

Step 6 .

Options 1 :Lower slats positions.

Insert the bolts on the long support leg (H) into the pre-drilled holes on the slats (G) secure by turning clockwise.

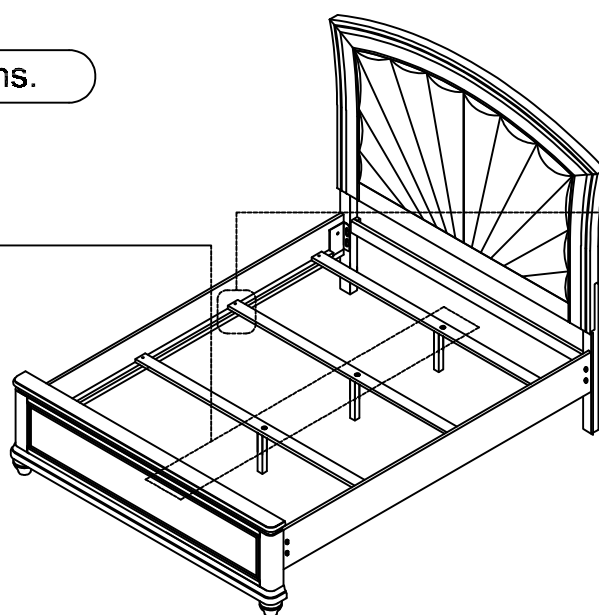
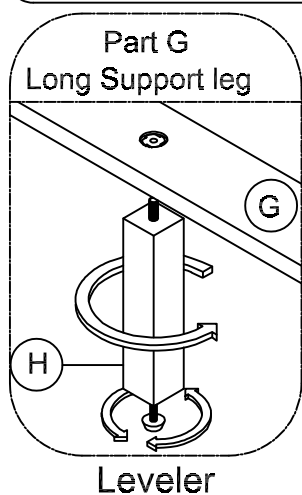
Options 2: higher slats positions.

Insert the bolts on the short support leg (H) into the pre-drilled holes on the slats (G) secure by turning clockwise. And Insert the bolts on the long support leg (H) into the pre-drilled holes on the Short support leg (I) secure by turning clockwise.

Step 7 . Attach slats (G) to side rails (K). Secure with wood screws using philips head screwdriver (not provided).

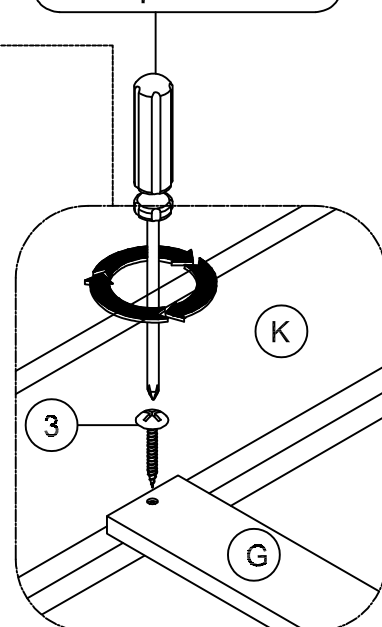
Step 6:

Options 1 :Lower positions.



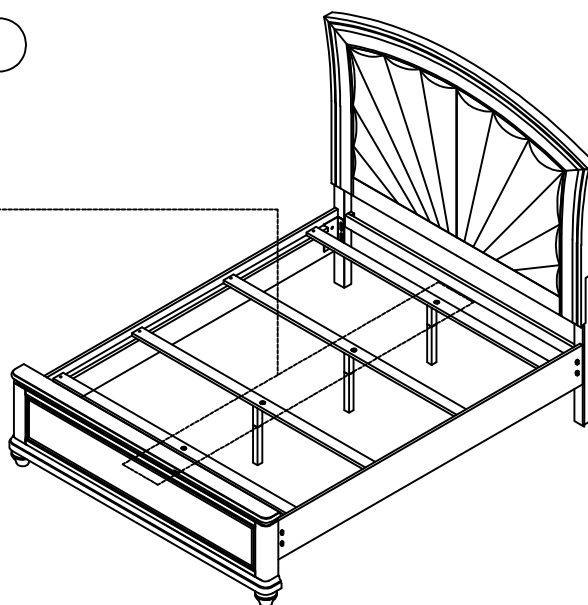
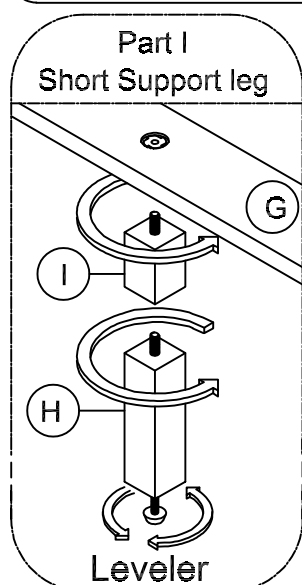
Step 7

not provided



Step 6:

Options 2: higher positions.



This product is manufactured by JSFC for **ROOMS TO GO**