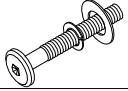

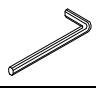
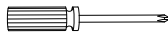


**ROOMS****TO GO****LWYE ASSEMBLY INSTRUCTIONS**  
**ON PNL HDBD / FTBD / RVS RAIL**MODEL : 7450 / 7452  
/ 7454

7450 / 7452 / 7454 - 140 / 141 / 142

SKU # 32374504 / 32374528 / 32374542 / 32774502 / 32774526 / 32774540 / 32974506 / 32974520 / 32974544

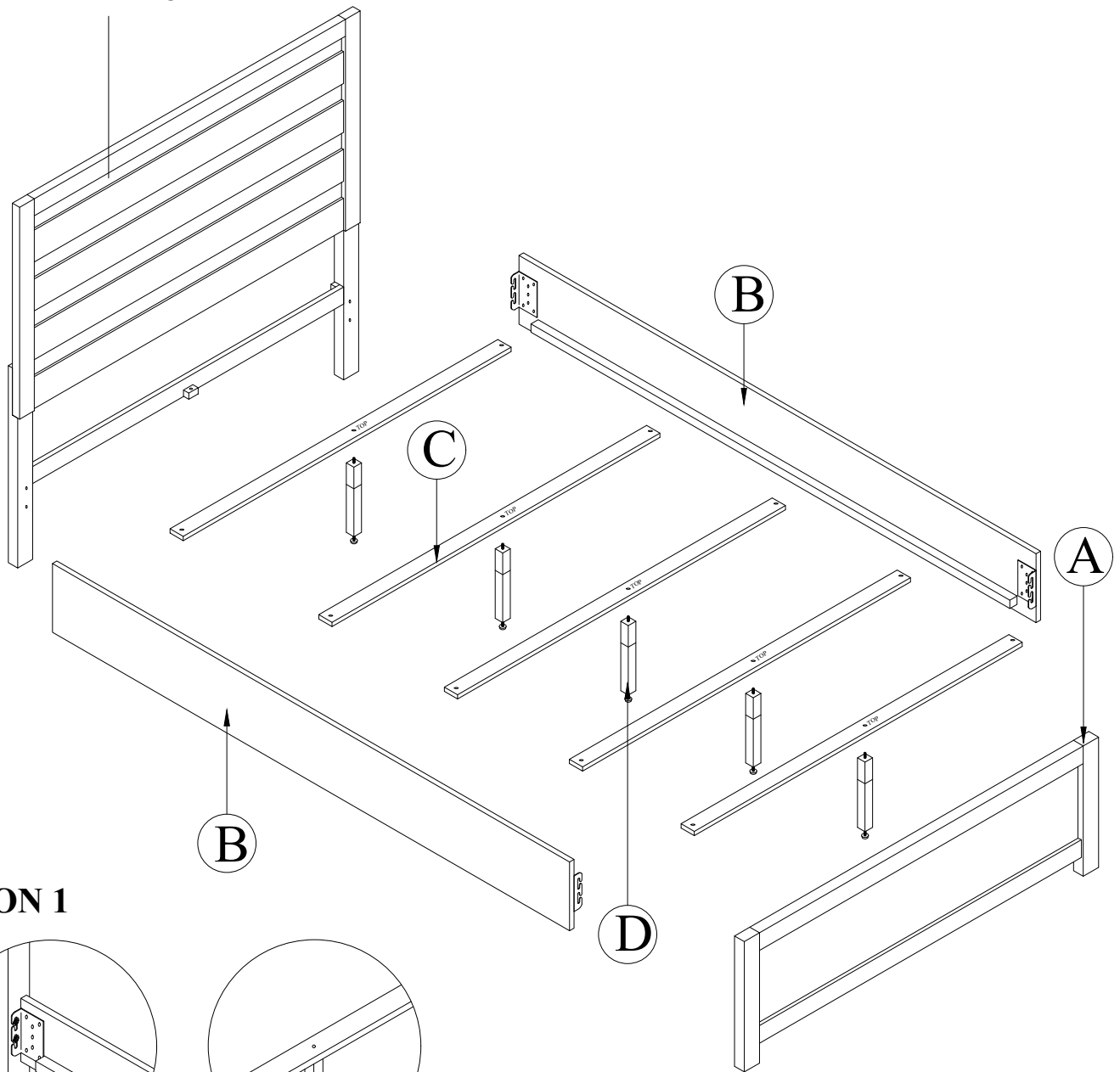
Thank you for purchasing this quality product. Be sure to check all packing material carefully for small parts. Which may have come loose inside the carton during shipment. Identify and count all parts and compare with the hardware list below :

	No.	Picture	Description	Dimension	Qty
Hardware List	①		JCBB (M8) with washer	8 x P1.25 x 20mm	8 Pcs
	②		C.S.K Screw (M4)	4 x 32mm	10 Pcs
	③		Allen Wrench (M5)	5 x 65mm	1 Pc
	④		Screw Driver (*)		1 Pc

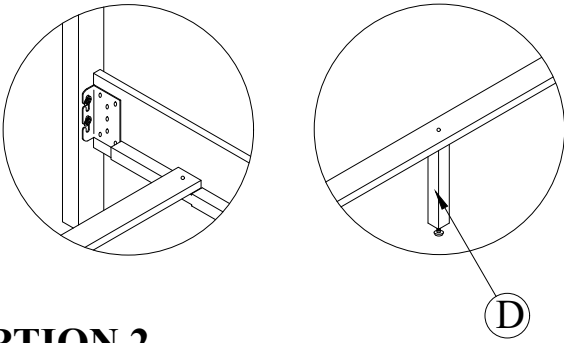
	No.	Description	Qty
Parts List	A	Footboard	1 Pc
	B	Side Rail	2 Pcs
	C	Wooden Slat	5 Pcs
	D	Wooden Slat Support	5 Pcs
	E	Connector Wooden Support	5 Pcs

**Notes :** (\*) The manufacturer does NOT provided Item 4.

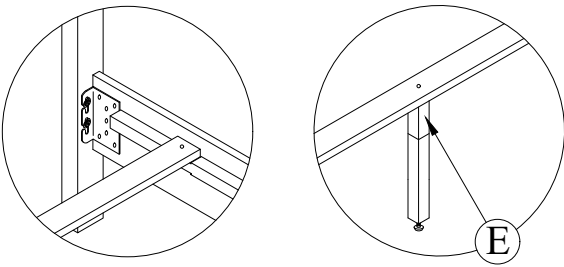
COMPLETED HEADBOARD



OPTION 1



OPTION 2



PARTS DETAILS

NOTE :

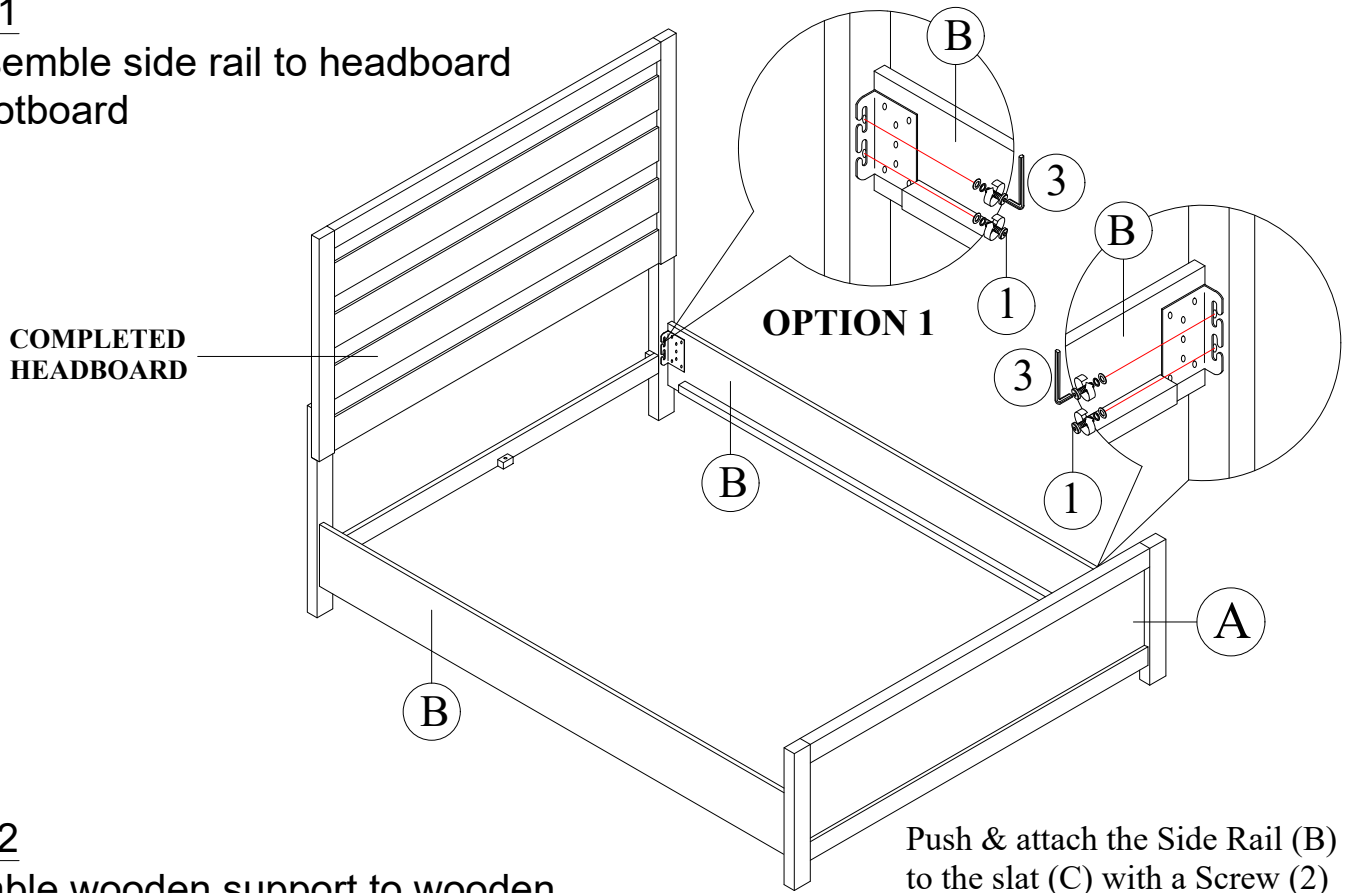
**OPTION 1**

# Assembly step

To be used with Mattress and Boxspring

## STEP 1

To assemble side rail to headboard and footboard



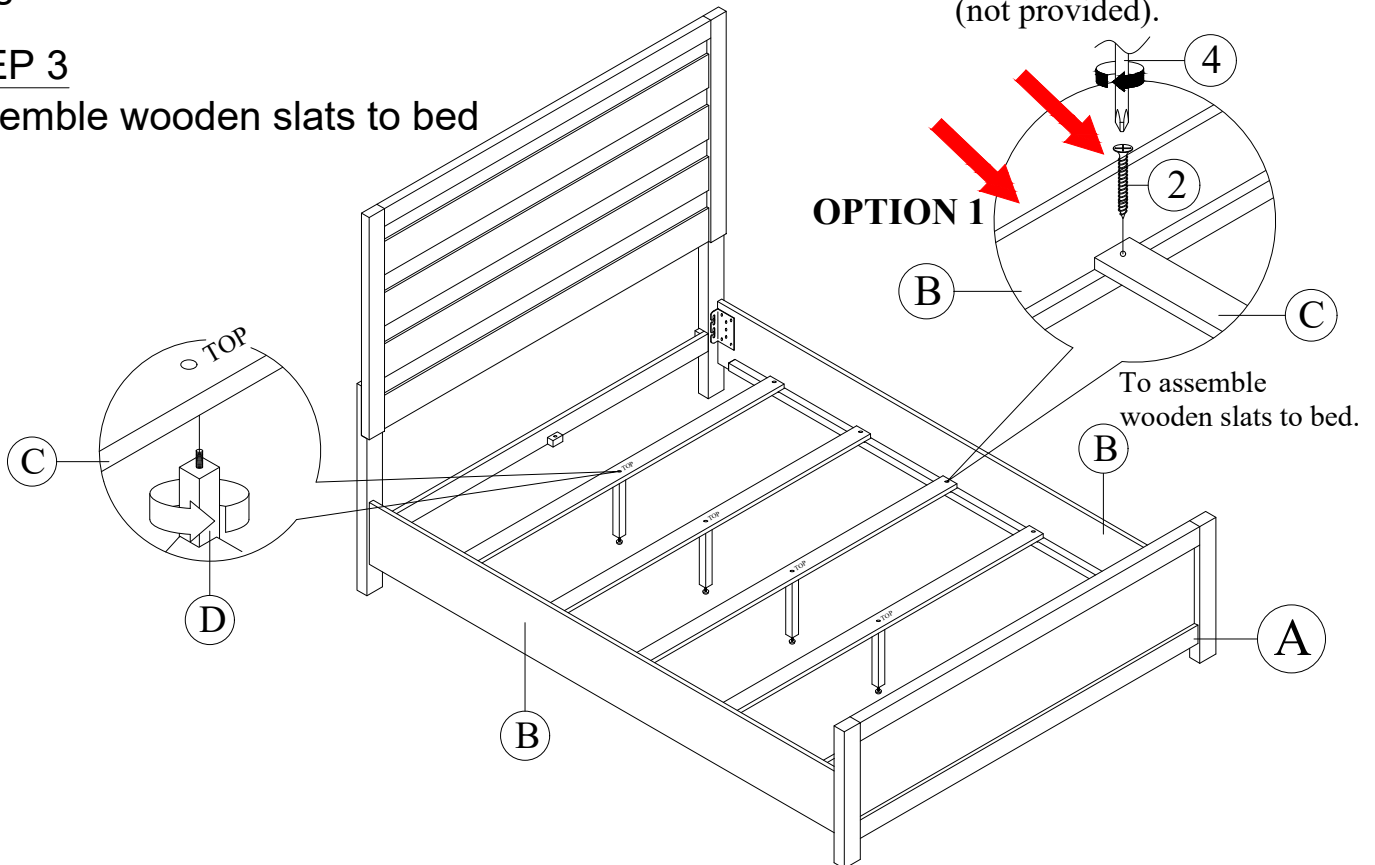
## STEP 2

Assemble wooden support to wooden slats

Push & attach the Side Rail (B) to the slat (C) with a Screw (2) using a Phillips screwdriver (4) (not provided).

## STEP 3

Assemble wooden slats to bed



**NOTE :**

**OPTION 2**

# Assembly step

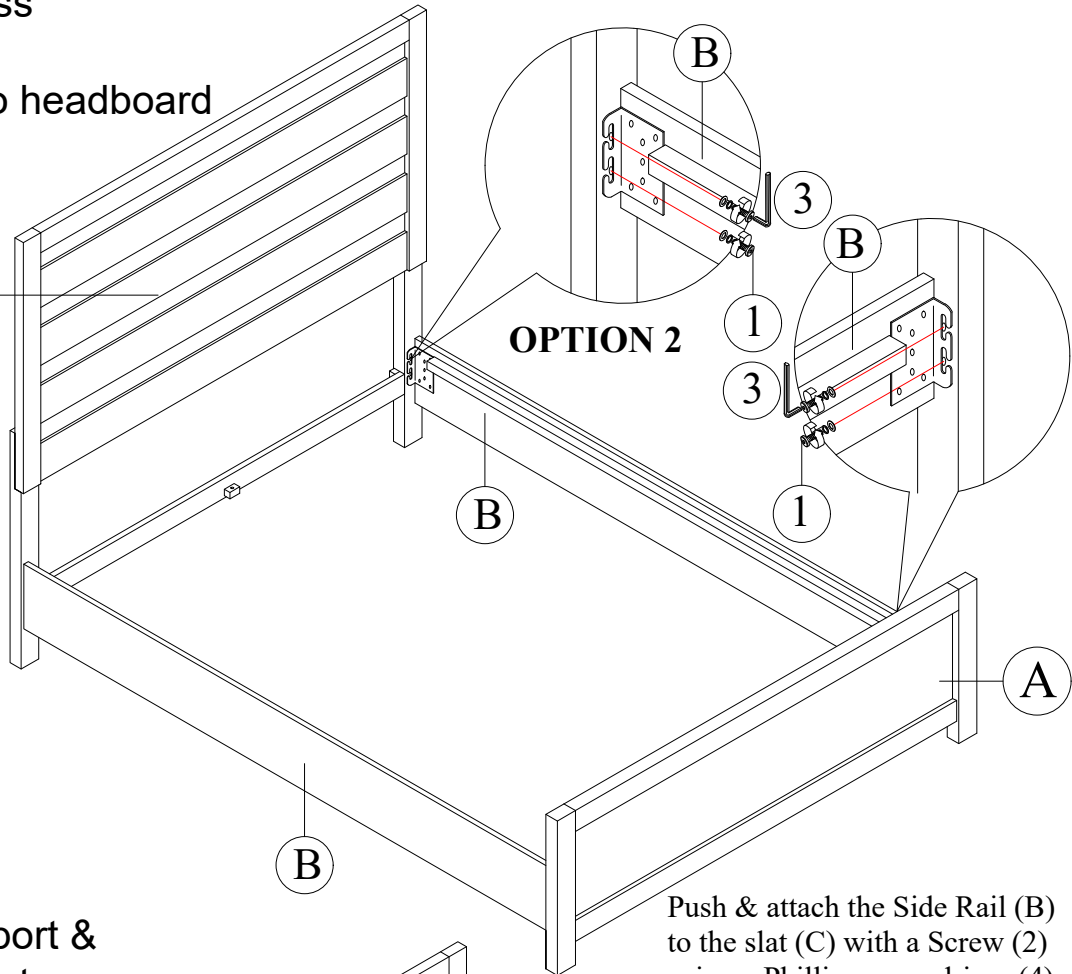
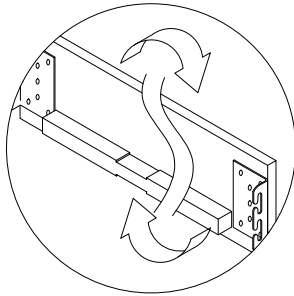
To be used with Mattress

## STEP 1

To assemble side rail to headboard and footboard

COMPLETED HEADBOARD

**OPTION 2**



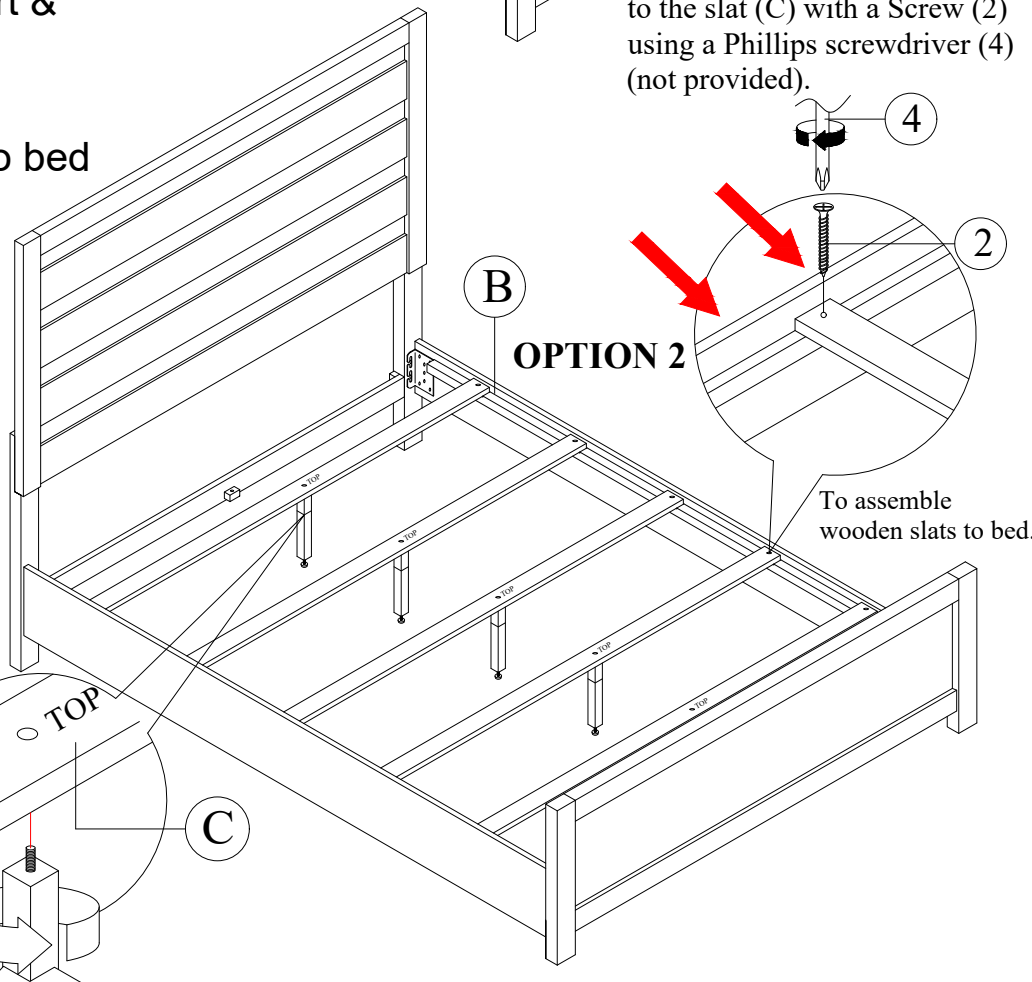
## STEP 2

Assemble wooden support & connector to wooden slat

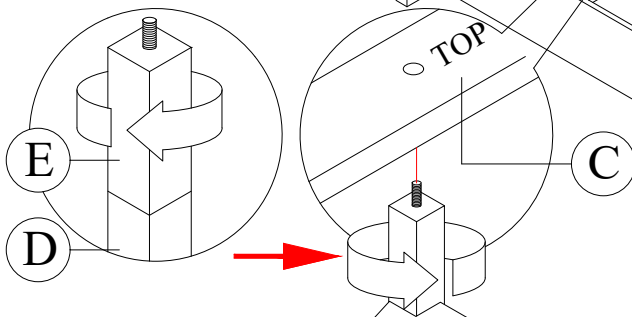
## STEP 3

Assemble wooden slats to bed

Push & attach the Side Rail (B) to the slat (C) with a Screw (2) using a Phillips screwdriver (4) (not provided).



**OPTION 2**



NOTE :