

ASSEMBLY INSTRUCTIONS






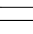

ALAM 7890-3 : QN PNL HDBD # SKU 32378906
 ALAM 7890-7 : QN PNL FTBD # SKU 32778904
 ALAM 7890-9 : QN/KG PNL RAILS # SKU 32978908

Thank you for purchasing this quality product. Be sure to check all packing material carefully for small parts, which may have come loose inside the carton during shipment. Identify and count all parts and compare with the Hardware List below.

	No.	Description	Qty
Headboard	A	Headboard	1 Pc
	B	Legs (L - R)	2 Pcs
	C	Stretcher	1 Pc

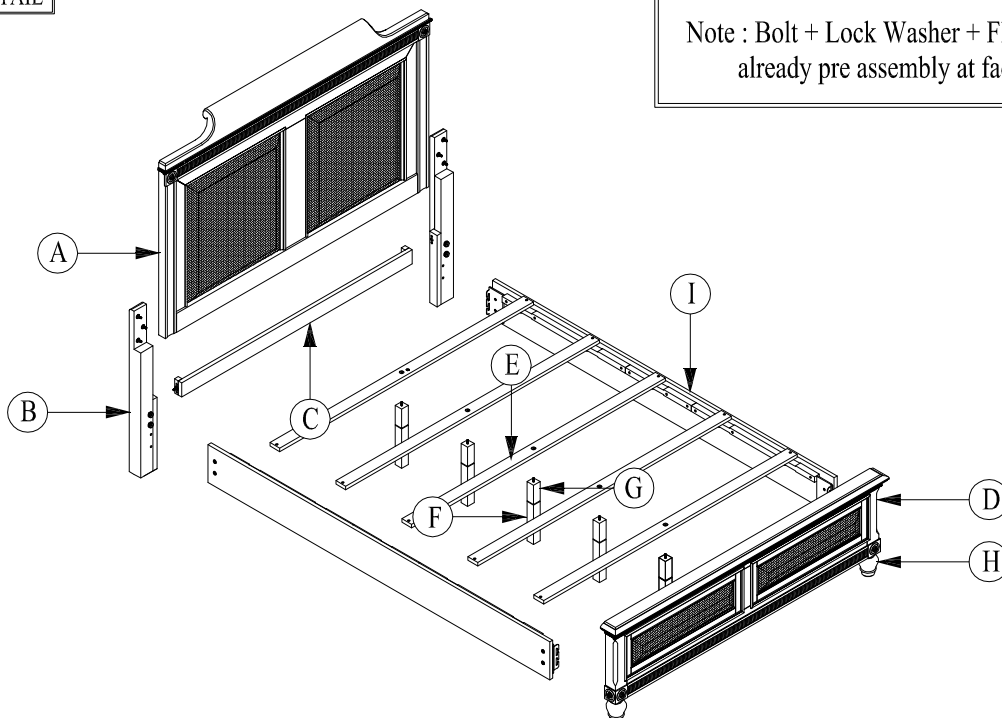
Footboard	D	Footboard	1 Pc
	E	Slats	5 Pcs
	F	Regular Leg Supports	5 Pcs
	G	Leg extensions	5 Pcs
	H	Bunfeets	2 Pcs

Siderail	I	Siderails	2 Pcs
-----------------	---	-----------	-------

	No.	Picture	Description	Dimension	Qty
Hardware List	1		Screws	Ø8 x 1 1/4"	10 Pcs
	2		Bolt w/stoppers	5/16" x 18 x 1 3/4"	8 Pcs
	3		Lock Washers	5/16"	8 Pcs
	4		Flat Washers	Ø8 x Ø20 x 1 mm	8 Pcs
	5		Allen Key	5 x 70 mm	1 Pc
	6		Dowels	Ø10 x 40 mm	4 Pcs
	7		Phillip Headscrew Driver (not included)		

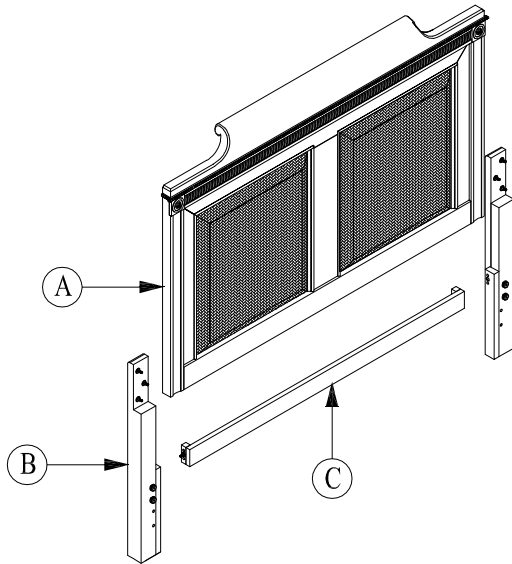
PART DETAIL

Note : Bolt + Lock Washer + Flat Washer already pre assembly at factory

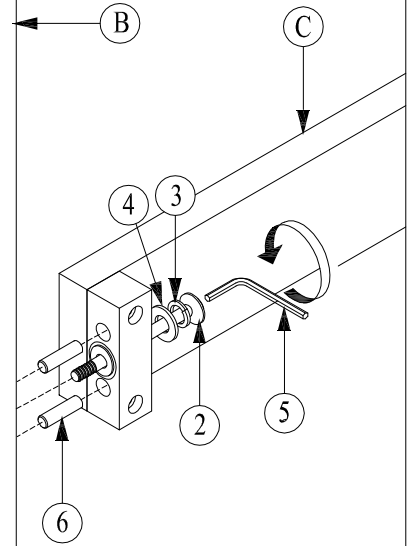


ASSEMBLY STEP

PART DETAIL

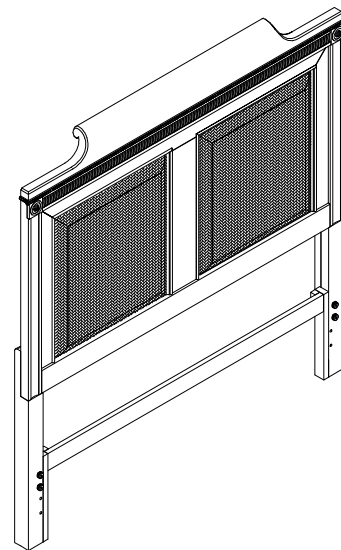
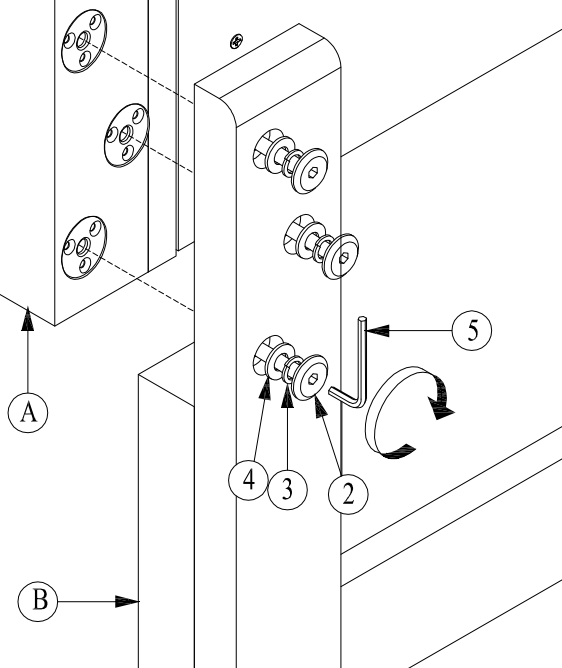


STEP 1



STEP 2

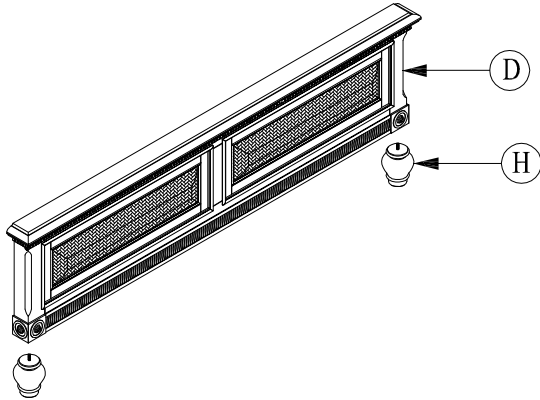
WARNING :
Do not tighten bolts 100%
until assembly is complete



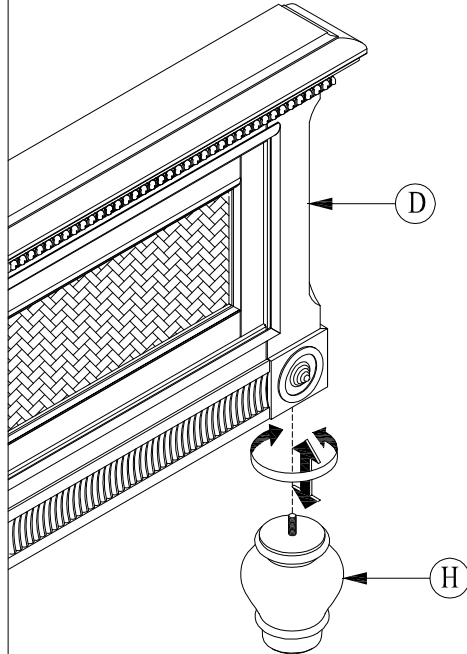
ASSEMBLY COMPLETE

ASSEMBLY STEP

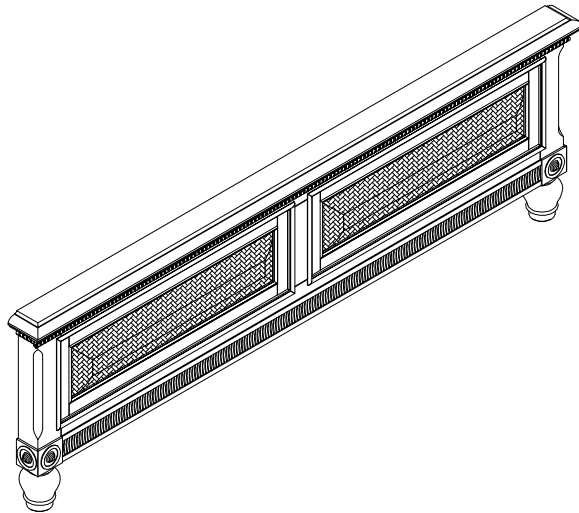
PART DETAIL



STEP 1

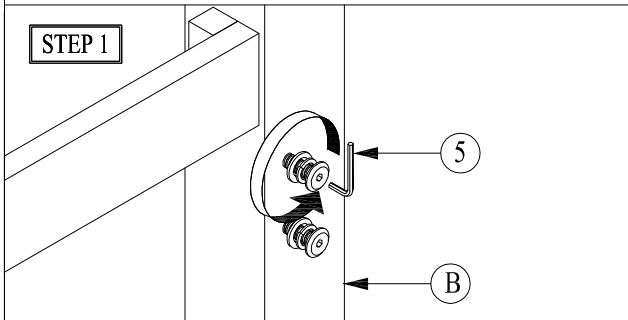


Noted : The Bunfeets is KD construction
and already pre-assembling at factory

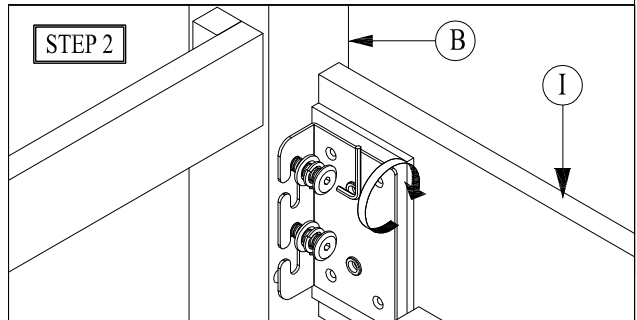


ASSEMBLY COMPLETE

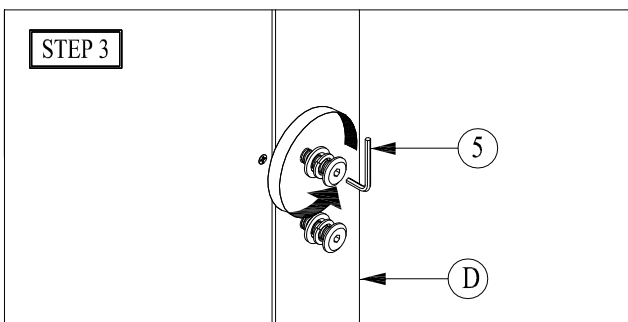
ASSEMBLY STEP



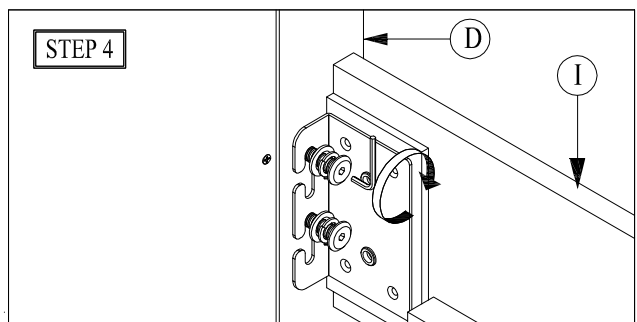
Slightly loose the Bolt on the Leg (B)



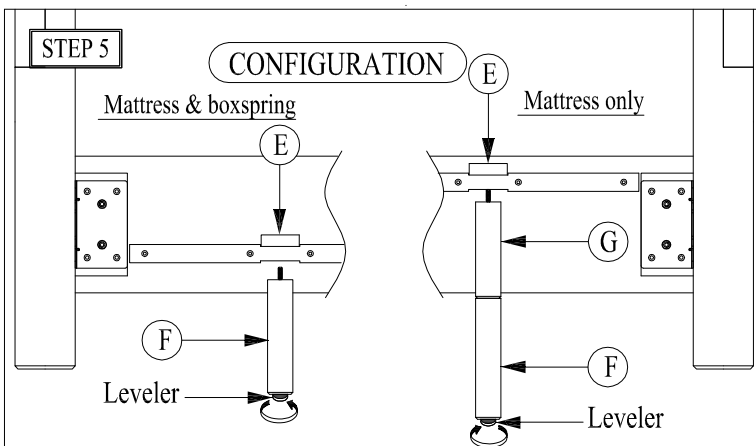
Attach Siderail (I) to Leg (B)



Slightly loose the Bolt on the Footboard (D)

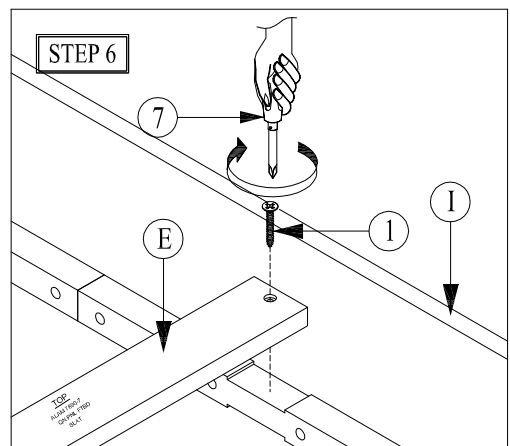


Attach Siderail (I) to Footboard (D)

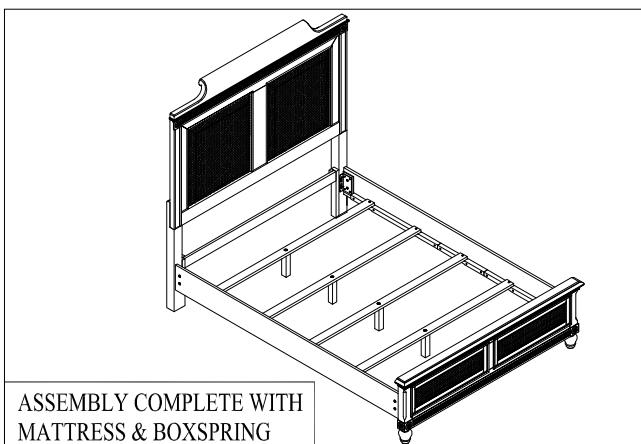


Tighten leg support (F) to slat (E)

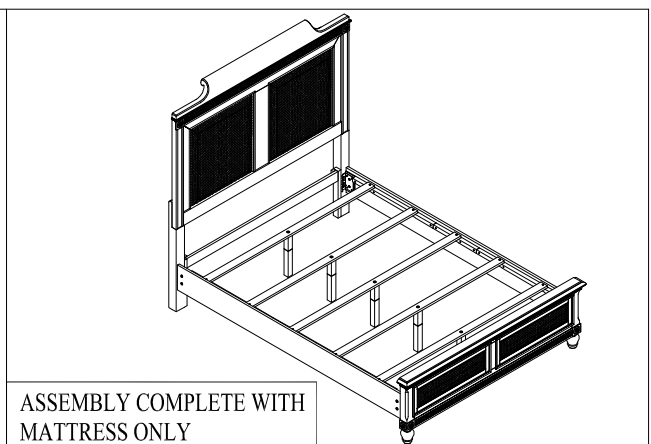
Tighten leg ext. (G) to slat (E)



Attach Slats (E) to Siderail (I) using screw (1) with screw driver (7) follow pre-drill on the slats



ASSEMBLY COMPLETE WITH MATTRESS & BOXSPRING



ASSEMBLY COMPLETE WITH MATTRESS ONLY