
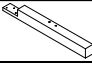
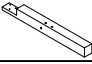
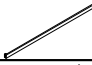



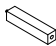
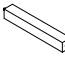





Assembly Instructions

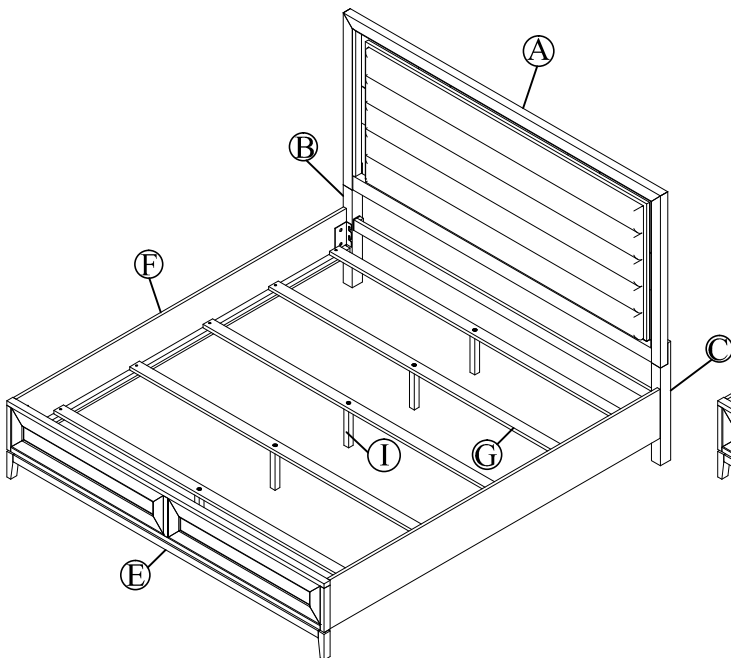
NAJA 7968-3 QUEEN HEADBOARD SKU# 32379681
 NAJA 7968-7 QUEEN FOOTBOARD SKU# 32779689
 NAJA 7968-9 QUEEN/KING RAILS SKU# 32979683

This product is manufactured by NAJA for **ROOMS TO GO** ▶

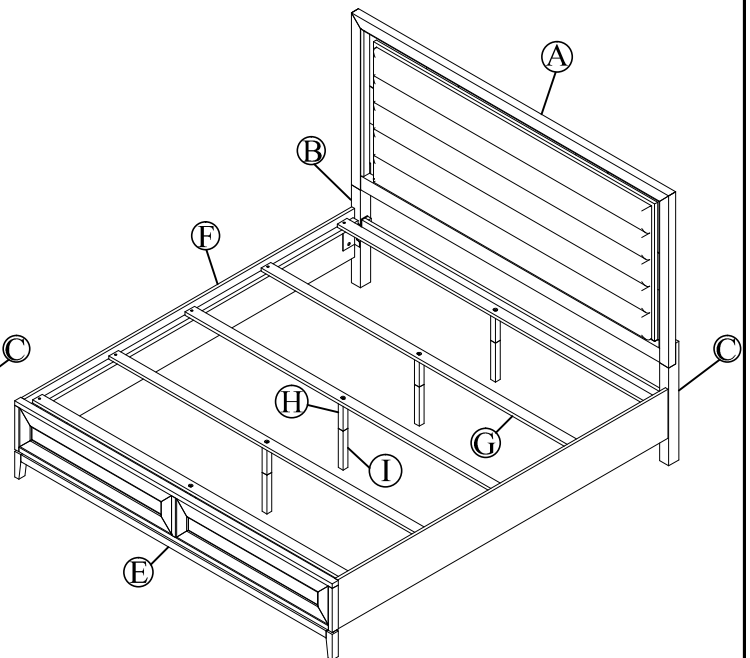
NO.	PARTS LIST		Q' TY
A	Headboard Panel		1
B	Left Headboard Leg		1
C	Right Headboard Leg		1
D	Bottom Rail		1
E	Footboard Panel		1
F	Side Rails		2
G	Slat		5
H	Slat supports 1		5
I	Slat supports 2		5

TOOLS REQUIRED (NOT PROVIDED)	
Description	Sketch
Phillips screwdriver	

NO.	HARDWARE LIST		Q' TY
1	Screw (#8x25mm)		10
2	Allen wrench (4mm)		1



OPTION 1



OPTION 2

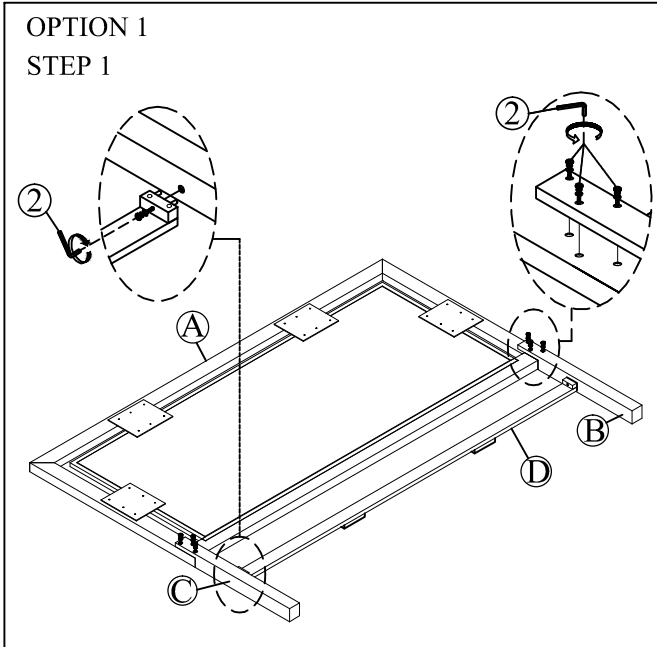
Hardware Pack Location(s)

NAJA 7968-3 QUEEN HEADBOARD SKU# 32379681
 NAJA 7968-7 QUEEN FOOTBOARD SKU# 32779689

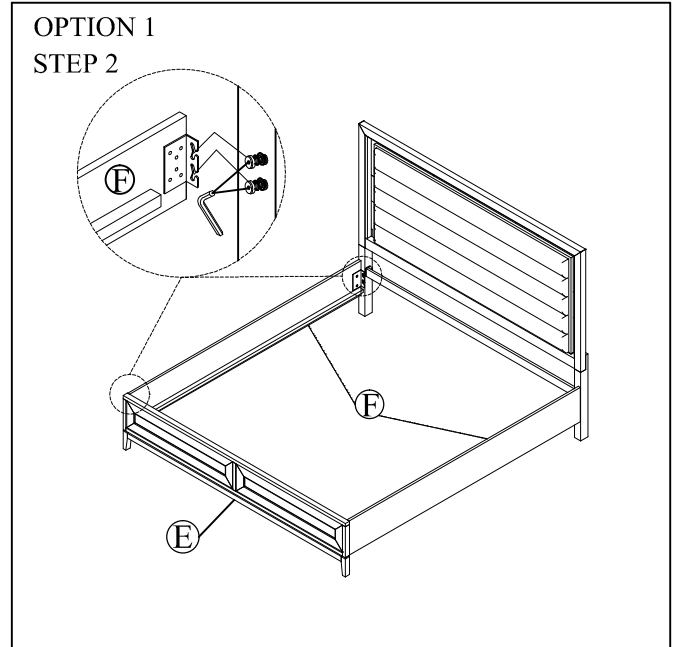
Assembly Instructions

NAJA 7968-3 QUEEN HEADBOARD SKU# 32379681
 NAJA 7968-7 QUEEN FOOTBOARD SKU# 32779689
 NAJA 7968-9 QUEEN/KING RAILS SKU# 32979683

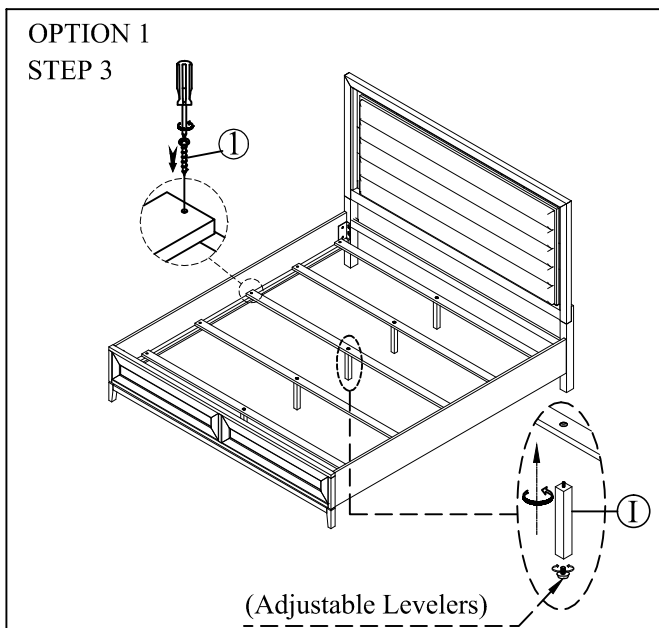
This product is manufactured by NAJA for **ROOMS TO GO** ▶



Assemble the legs with the HeadBoard
 Assemble bottom rail with HeadBoard legs.
 The bolts are pre-attached on the HB legs and bottom rails.
 Do not tighten all bolts until HB is fully assembly



Assemble the side rails to the HeadBoard and FootBoard
 Bolts are pre-attached on the HB legs and the FB.

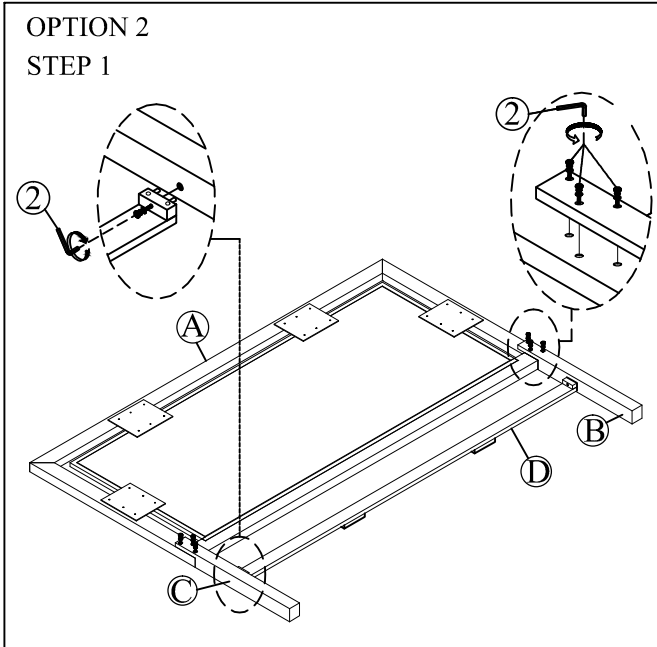


Assemble the support leg to slats
 Screw the slats to the side rail cleats

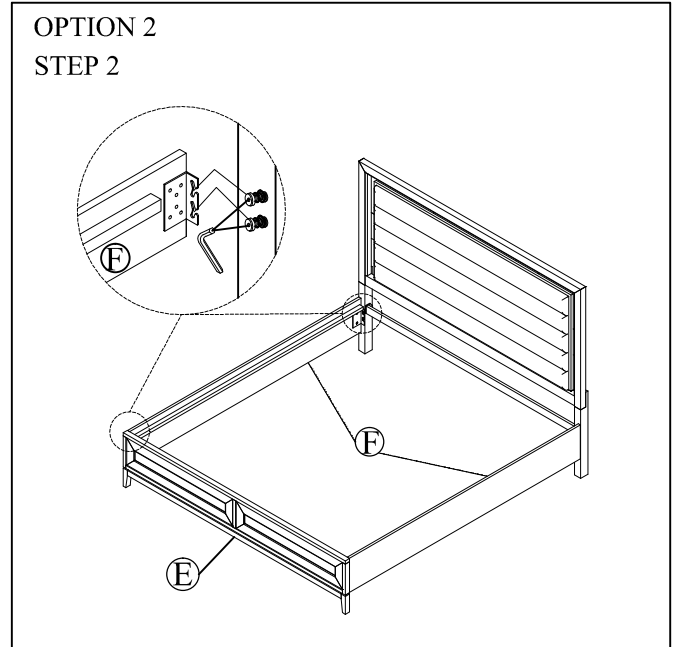
Assembly Instructions

NAJA 7968-3 QUEEN HEADBOARD SKU# 32379681
 NAJA 7968-7 QUEEN FOOTBOARD SKU# 32779689
 NAJA 7968-9 QUEEN/KING RAILS SKU# 32979683

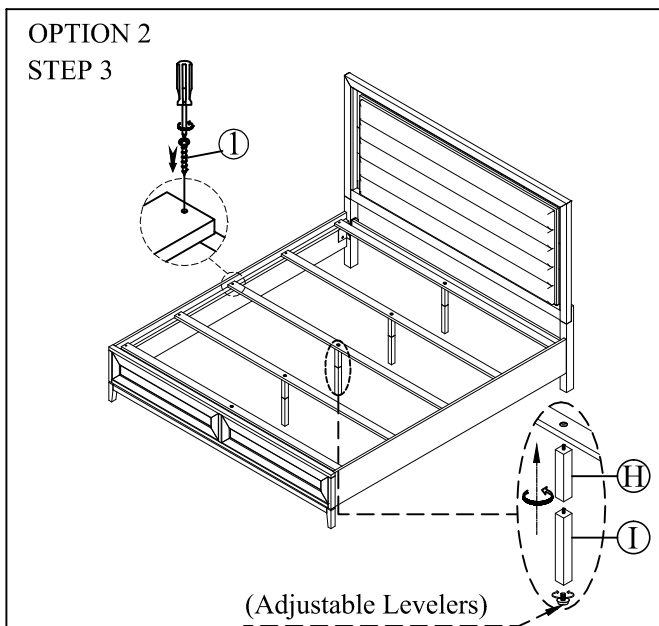
This product is manufactured by NAJA for **ROOMS TO GO** ▶



Assemble the legs with the HeadBoard
 Assemble bottom rail with HeadBoard legs.
 The bolts are pre-attached on the HB legs and bottom rails.
 Do not tighten all bolts until HB is fully assembly



Assemble the side rails to the HeadBoard and FootBoard
 Bolts are pre-attached on the HB legs and the FB.



Assemble the support leg to slats
 Screw the slats to the side rail cleats