



Assembly Instruction

ITCO 8061-3 QN SPINDLE HEADBOARD

SKU NO.: 32380610

ITCO 8061-7 QN SPINDLE FOOTBOARD

SKU NO.: 32780618



ITCO 8061-9 QN/KG SIDE RAILS


SKU NO.: 32980612

Manufactured by ITCO for Rooms To Go




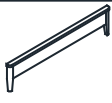

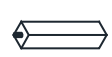


Version #1 - 2025/07/17

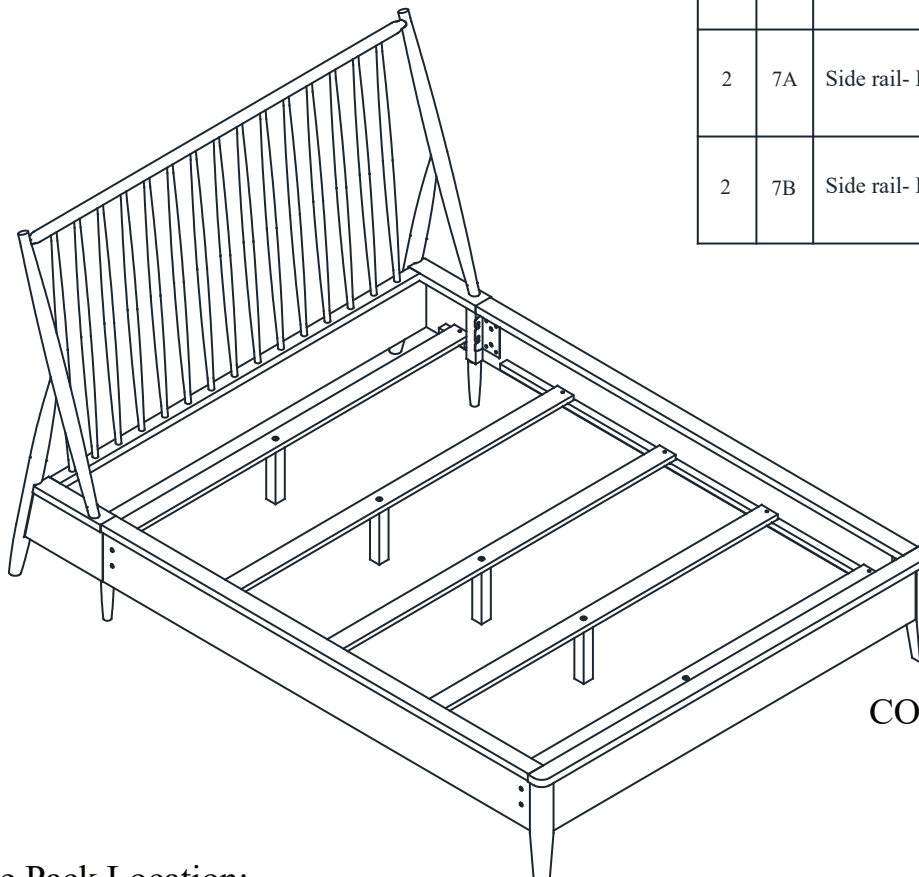
Thank you for purchasing this quality product. Be sure to check all packing material carefully for small parts, which may have come loose inside the carton during shipment. Identify and count all parts and compare with the part list below.

HARDWARE LIST				
Step	Code	Sketch	Descriptions	Q'TY
2	A		Allen Key 4mm x 74mm x 29mm	1 Pc
4	B		Screw Ø8mm x 30mm	8 Pes

PRE- INSTALLED HARDWARE LIST FOR HEADBOARD & FOOTBOARD				
Step	Code	Sketch	Descriptions	Q'TY
2	C		Bolt 5/16"-18 x 11.5mm x 19mm (Pre-Assembled)	8 Pcs
			Spring Washer 5/16"-18 x 13mm x 2mm (Pre-Assembled)	8 Pcs
			Flat Washer 5/16"-18 x 18mm x 2mm (Pre-Assembled)	8 Pcs

TOOLS REQUIRED (NOT PROVIDED)	
PHILLIPS SCREWDRIVER	

PARTS LIST				
Step	Code	Parts List	Sketch	Q'TY
1	1	Headboard		1 PC
1	2	Leg (Packed With Headboard)		2 Pcs
1	3	Support leg (Packed With Headboard)		1 PC
2	4	Footboard		1 PC
3&4	5	Slat (Packed With Footboard)		4 Pcs
3	6	Support leg (Packed With Footboard)		4 Pcs
2	7A	Side rail- Left		1 PC
2	7B	Side rail- Right		1 PC



COMPLETE ASSEMBLY

Hardware Pack Location:

8061-3 QN SPINDLE HEADBOARD, SKU.: 32380610

8061-7 QN SPINDLE FOOTBOARD, SKU.: 32780618



Assembly Instruction

ITCO 8061-3 QN SPINDLE HEADBOARD
ITCO 8061-7 QN SPINDLE FOOTBOARD
ITCO 8061-9 QN/KG SIDE RAILS

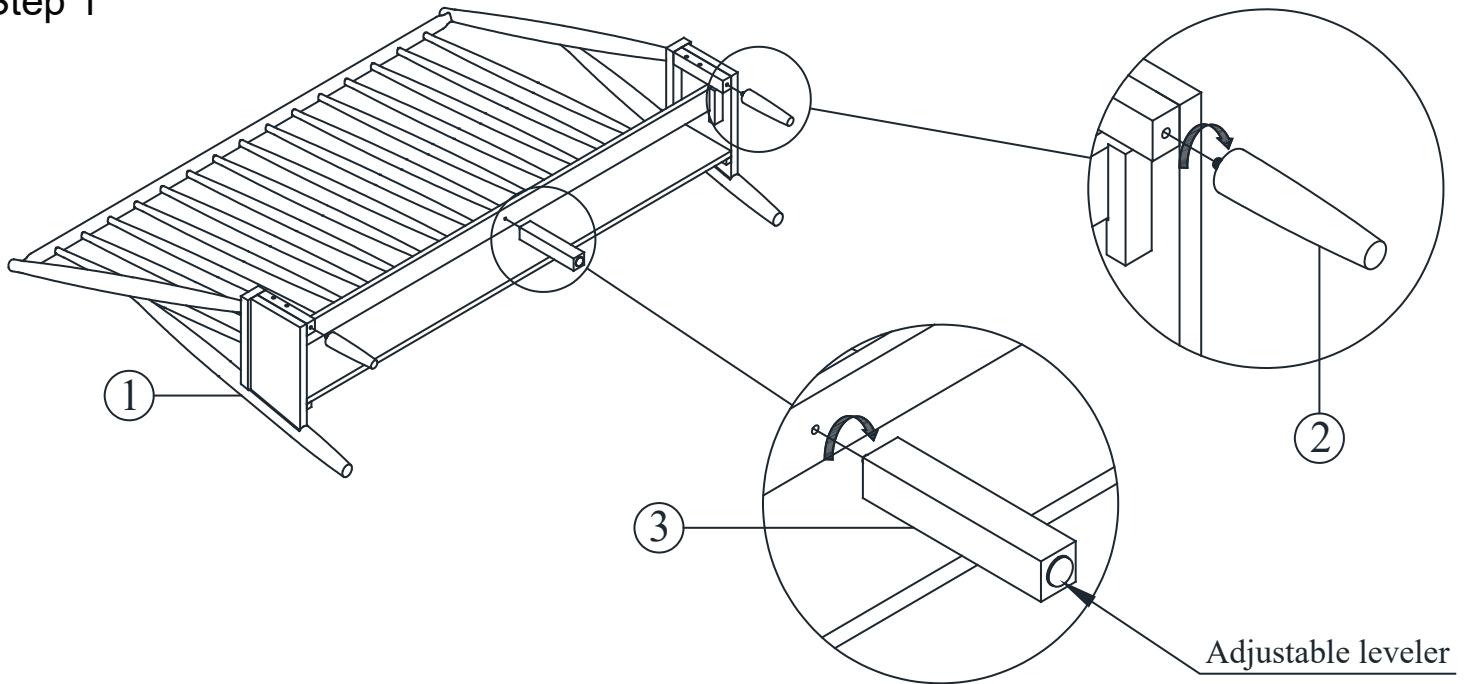
SKU NO.: 32380610
SKU NO.: 32780618
SKU NO.: 32980612

Manufactured by ITCO for Rooms To Go

Version #1 - 2025/07/17

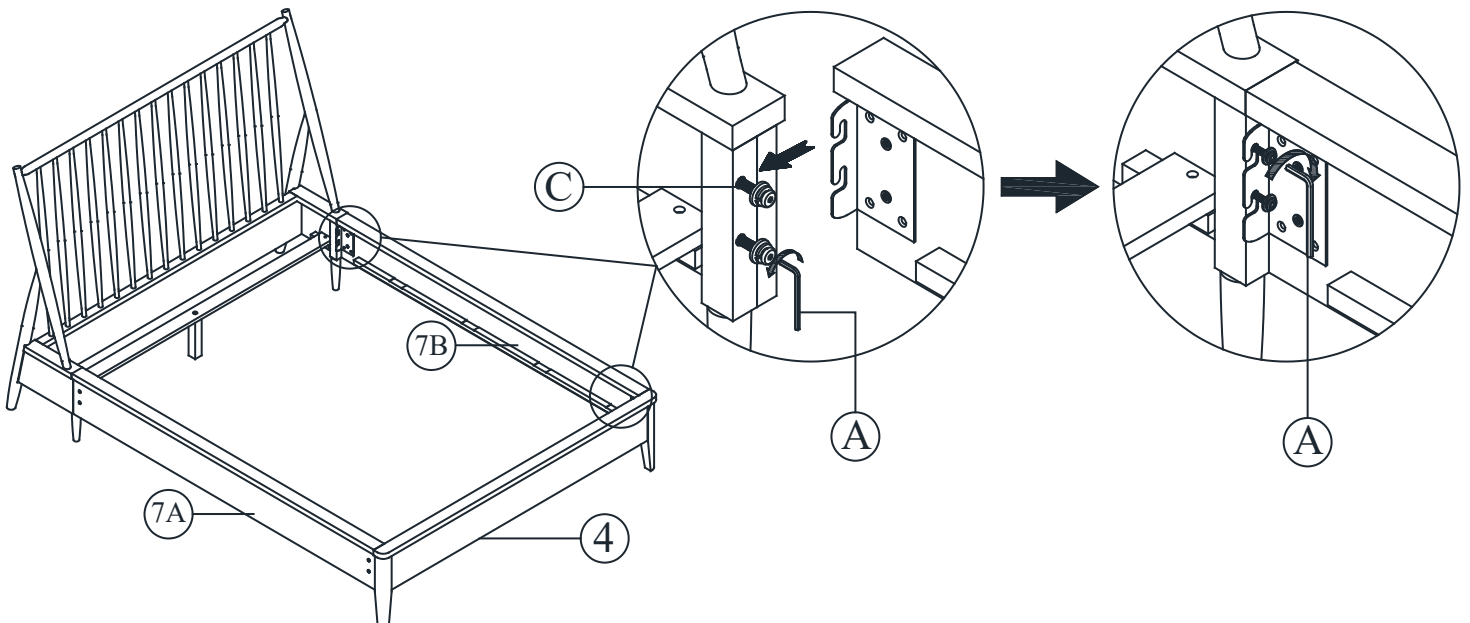
Thank you for purchasing this quality product. Be sure to check all packing material carefully for small parts, which may have come loose inside the carton during shipment. Identify and count all parts and compare with the part list below.

Step 1



Attach leg (2) & support leg (3) to headboard (1) by turning clockwise.

Step 2



Loose the hanger bolts first to make room for the hooks to engage. After the hooks are securely hang in place, tighten the hanger bolts.

CLEANING INSTRUCTION: Clear with a soft cloth and warm water with a diluted mild detergent. Follow with a soft cloth and clear water rinse . Then dry thoroughly with a soft cloth.



Assembly Instruction

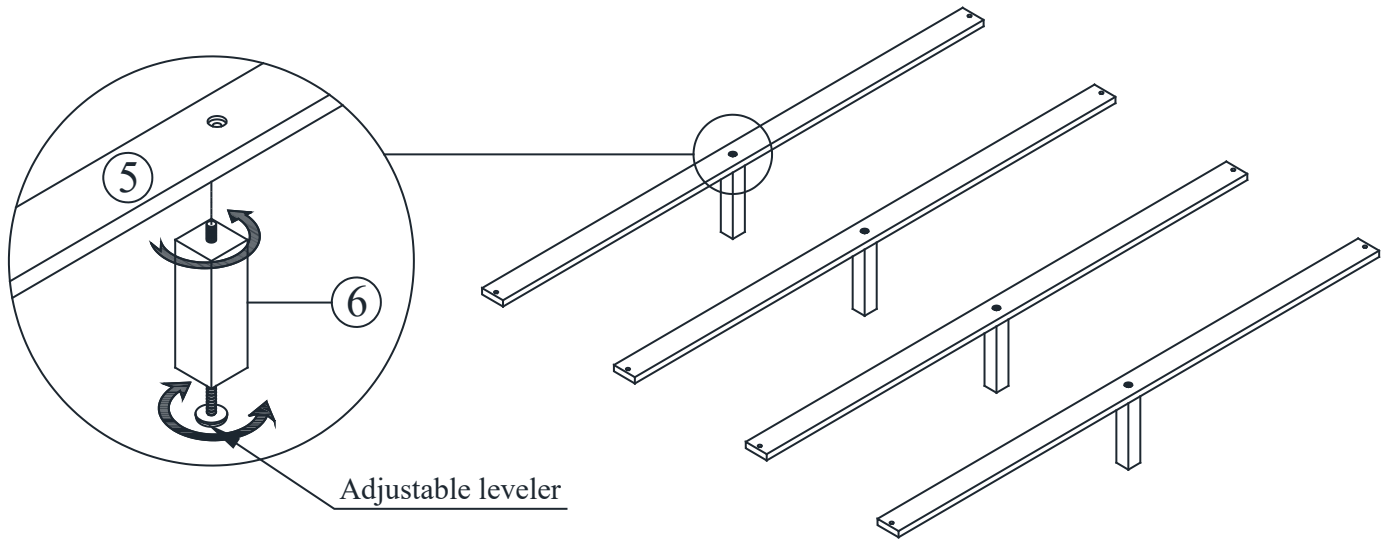
ITCO 8061-3 QN SPINDLE HEADBOARD SKU NO.: 32380610
ITCO 8061-7 QN SPINDLE FOOTBOARD SKU NO.: 32780618
ITCO 8061-9 QN/KG SIDE RAILS SKU NO.: 32980612

Manufactured by ITCO for Rooms To Go

Version #1 - 2025/07/17

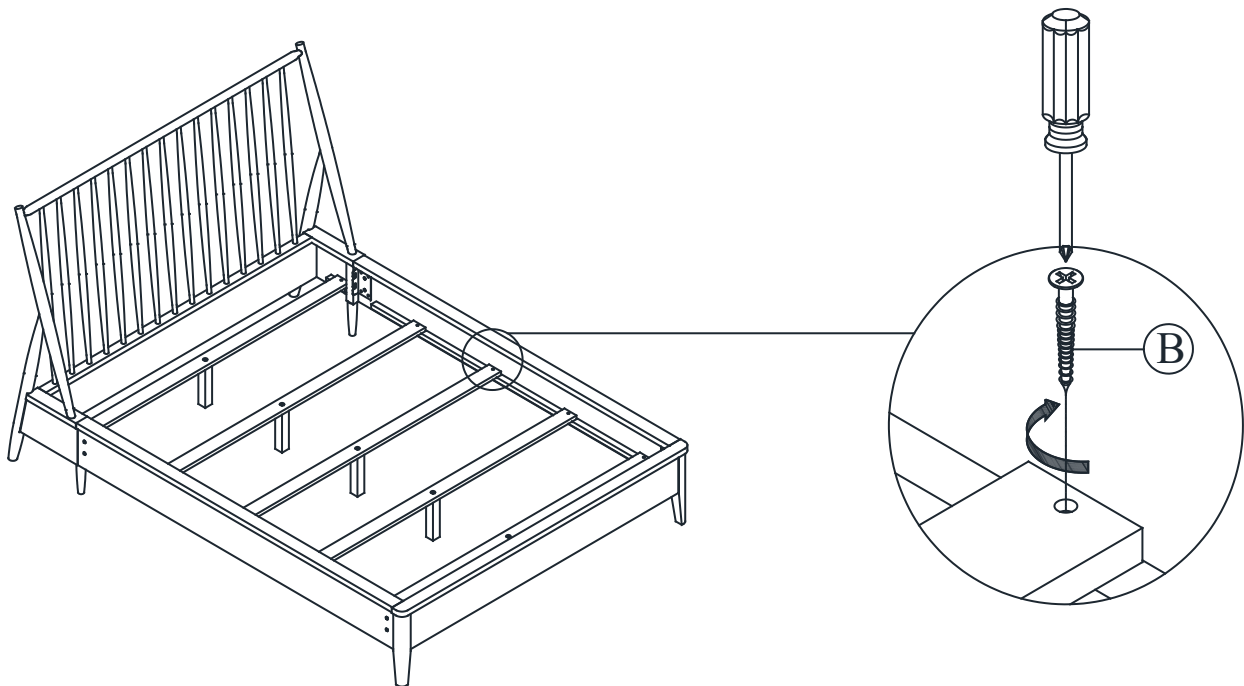
Thank you for purchasing this quality product. Be sure to check all packing material carefully for small parts, which may have come loose inside the carton during shipment. Identify and count all parts and compare with the part list below.

Step 3



Attach support leg (6) to slat (5) by turning clockwise.

Step 4



Please use a screwdriver (not provided) to attach slat (5) to side rails (7) by using screw (B).

CLEANING INSTRUCTION: Clear with a soft cloth and warm water with a diluted mild detergent. Follow with a soft cloth and clear water rinse . Then dry thoroughly with a soft cloth.