



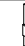









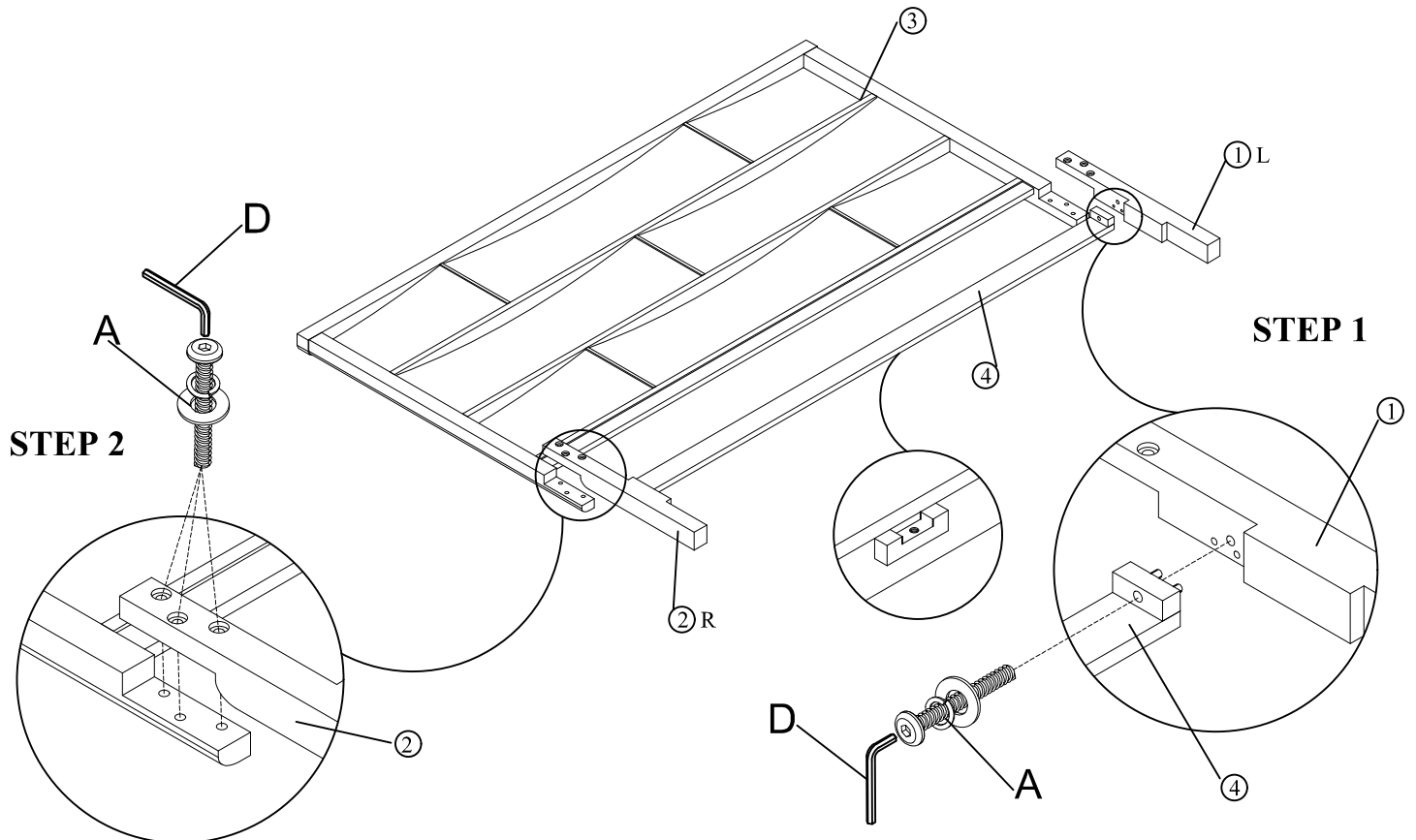
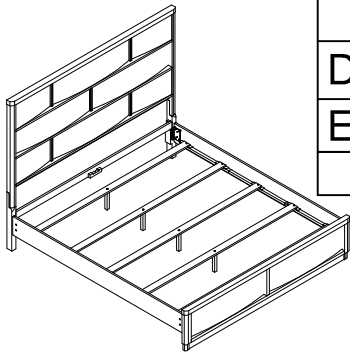
C8466R-QX0 / C8466R-QPH / C8466R-B0N QUEEN PANEL BED

Caution: Please read instructions thoroughly before unpacking assembly parts. Sharp, exposed staple tips can cause injury, therefore, for your protection, please remove any exposed staple used in packing.

1. We recommend that you should assemble this product with the assistance of another person; this will make assembly easier, and will help to eliminate damage to the product or injury to persons during assembly.
2. Be sure to check all packing materials carefully for small parts that may have come loose inside the carton during shipment.
3. please do not over tighten screws or bolts.
4. Please put all parts on a non-abrasive floor before assembly, and follow the assembly steps to assemble your newly purchased product correctly and efficiently.

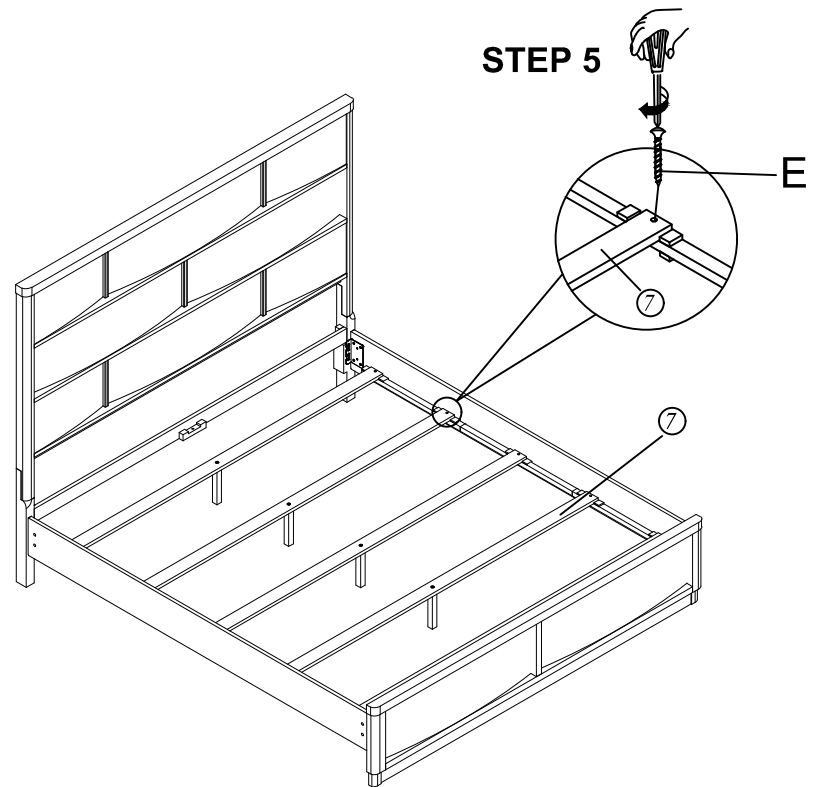
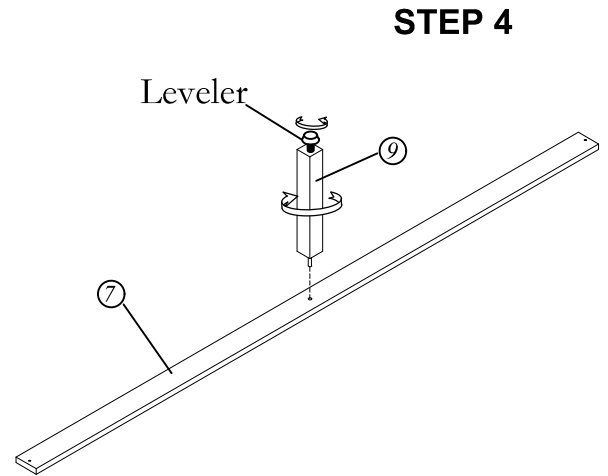
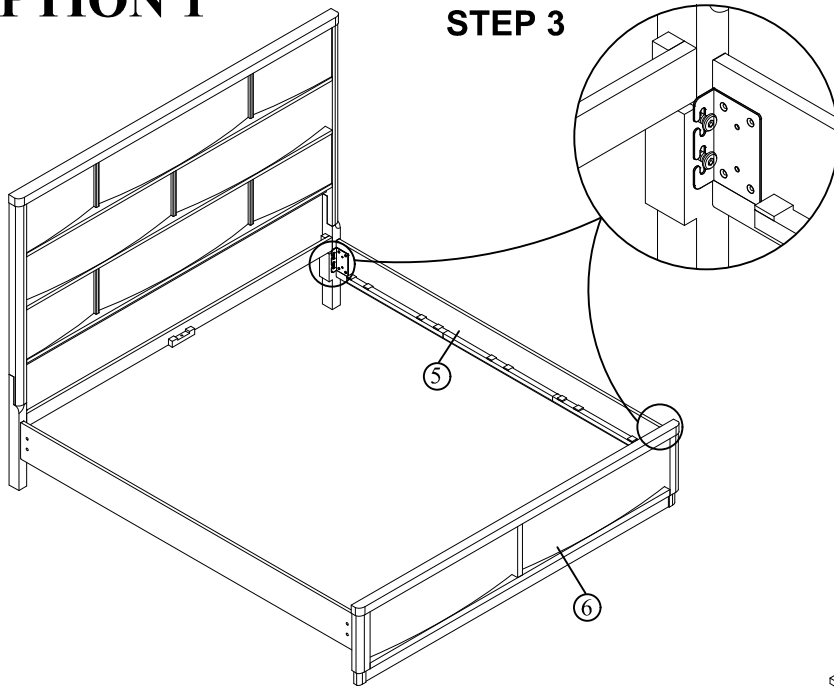
HARDWARE LISTS			
No.	OUTLOOK	SIZE	Q'TY
A		JCBC bolt Ø5/16"X18X1-3/4"	8PCS
		Lock Washer Ø5/16"x1.5mm	8PCS
		Flat Washer Ø5/16"X19mmX1.5mm	8PCS
D		Allen Key	1PC
E		Wood Screw #4 x 1-1/4"L	10PCS
		The screwdriver is not included	

PART LISTS			
①	Head board Leg (L)		1PC
②	Head board Leg (R)		1PC
③	Head board panel		1PC
④	Head board bottom rail		1PC
⑤	Side rail		2PCS
⑥	Panel FootBoard		1PC
⑦	Slats		5PCS
⑧	Extend support legs		5PCS
⑨	Support legs for center rail and slat		5PCS

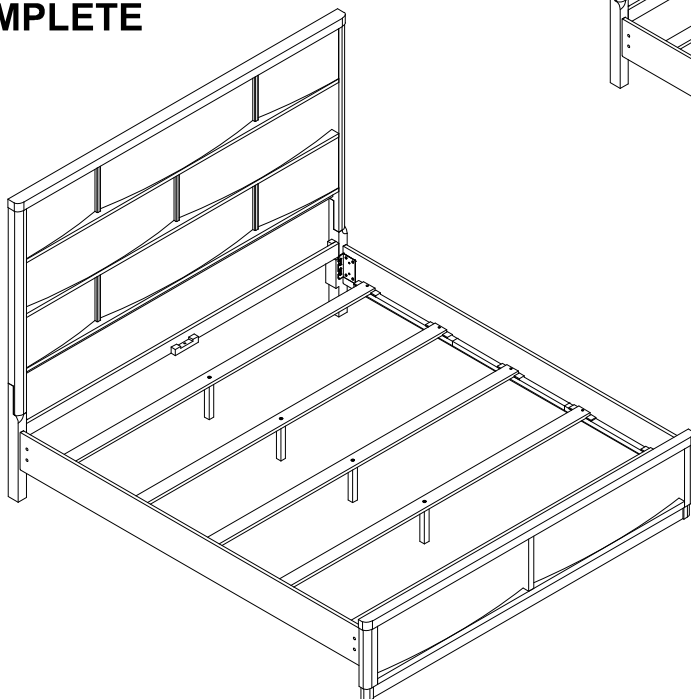


C8466R-QX0 / C8466R-QPH / C8466R-B0N QUEEN PANEL BED

OPTION 1

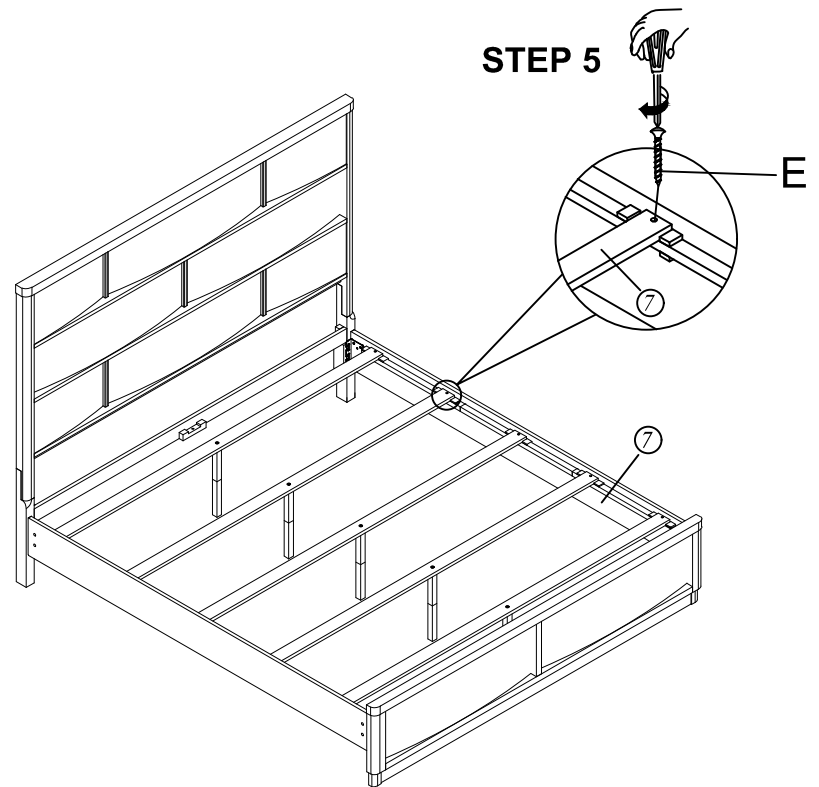
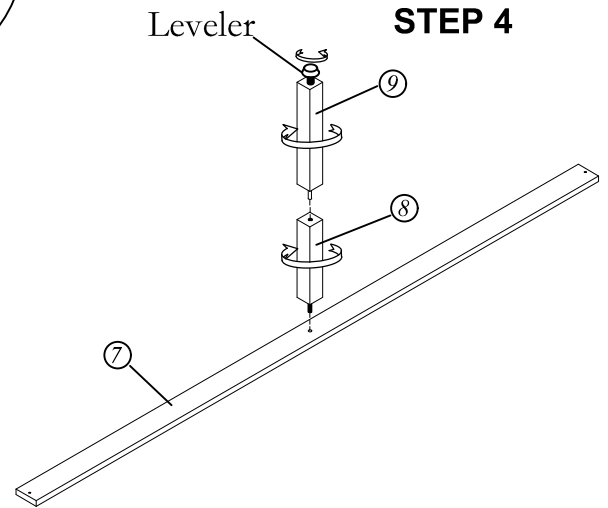
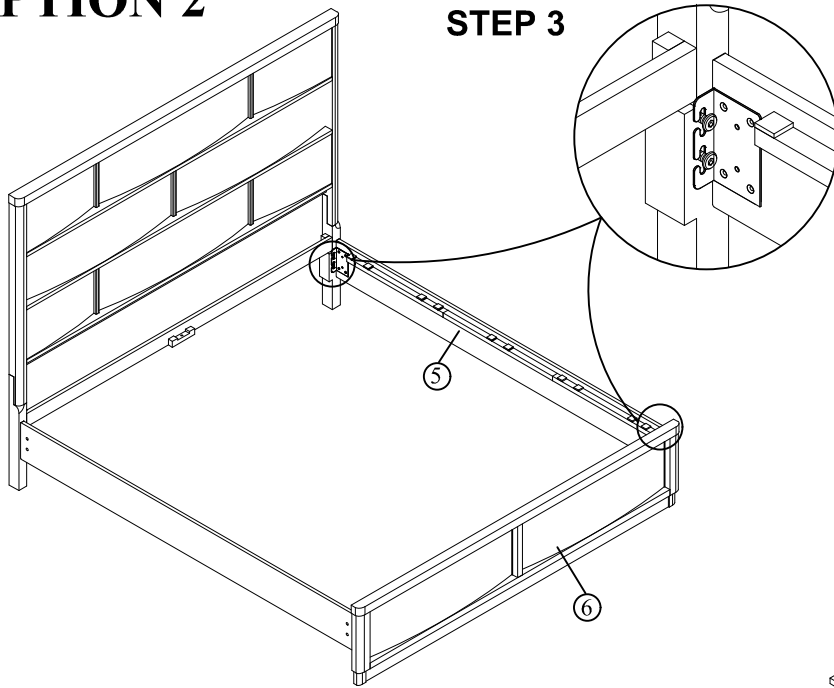


COMPLETE



C8466R-QX0 / C8466R-QPH / C8466R-B0N QUEEN PANEL BED

OPTION 2



COMPLETE

