

This product is manufactured by



ASSEMBLY INSTRUCTIONS

JORM 9019-HBK KG HDBD SKU 32490118 JORM 9019-FBQ QN FTBD SKU 32790114
 JORM 9019-HBQ QN HDBD SKU 32390116 JORM 9019-RS QNKG RAILS SKU 32990118
 JORM 9019-FBK KG FTBD SKU 32890116

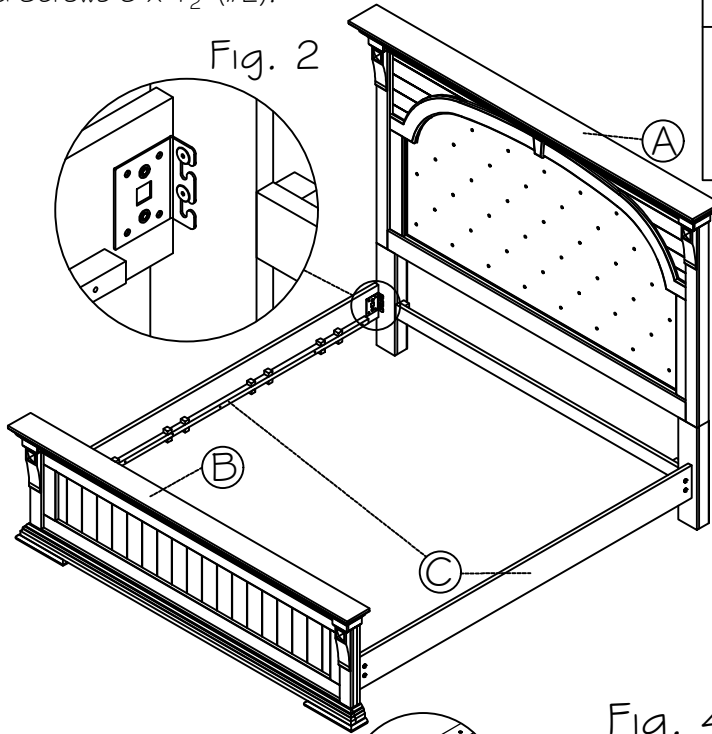
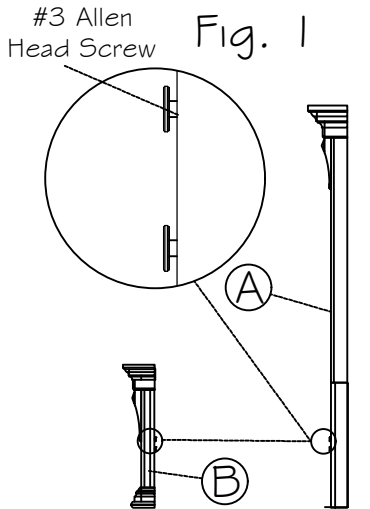
This product is manufactured by JORM for Rooms To Go.

- Step 1 Make sure the headboard and footboard have the allen screws (#3) pre installed for bed assembly as shown in Figure 1.
- Step 2 Place Side Rails (C) in position as shown in Figure 2.
- Step 3 Tight Allen Screws from Headboard & Footboard with Allen Wrench (#1 Included).
- Step 4 Pre-assembly support legs on bed slats as shown in Figure 3.
- Step 5 Place Bed Slats (Included on Footboard box) as shown in Figure 4 with Wood Screws 8 X 1 1/2" (#2).

HARDWARE INCLUDED			
Nu.	Description	Picture	Qty.
1	Allen Wrench (Included on Headboard box)		1-pc
2	Screw #8 X 1 1/2" (Included on Footboard Box)		8-pcs
3	Allen Head Screw #4 X 20 X 25mm (Pre-installed 4 pcs. on Headboard and 4 pcs. on footboard.)		8-pcs

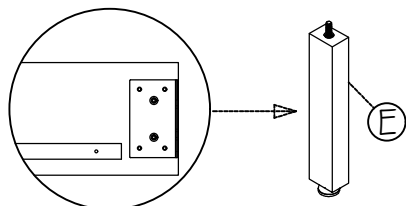
TOOLS REQUIRED (NOT INCLUDED)	
	OR

COMPONENT LIST		
Nu.	Description	Qty.
A	Headboard Panel	1-pc
B	Footboard Panel	1-pc
C	Reversible Side Rails	2-pcs
D	Bed Slats	4-pcs
E	Support leg	8-pcs
F	Support leg extension	8-pcs

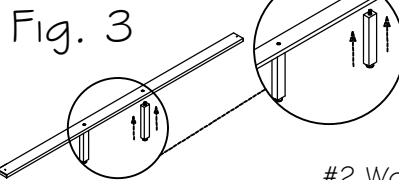
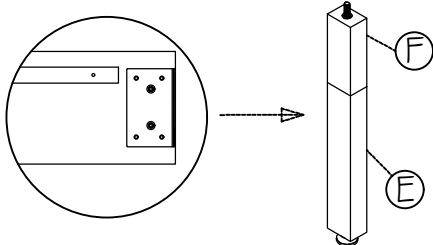


Reversible Rails

For Mattress + Box use this position



For Only Mattress use this position



#2 Wood Screws

