

Assembly Instructions

900-KHB-WAL

KG PNL HDBD

SKU 32499003

900-KFB-WAL

KG PNL FTBD W/SLATS

SKU 32899001

900-QS/KS

QN/KG RAILS

SKU 32999003





This product is manufactured by HLLC for

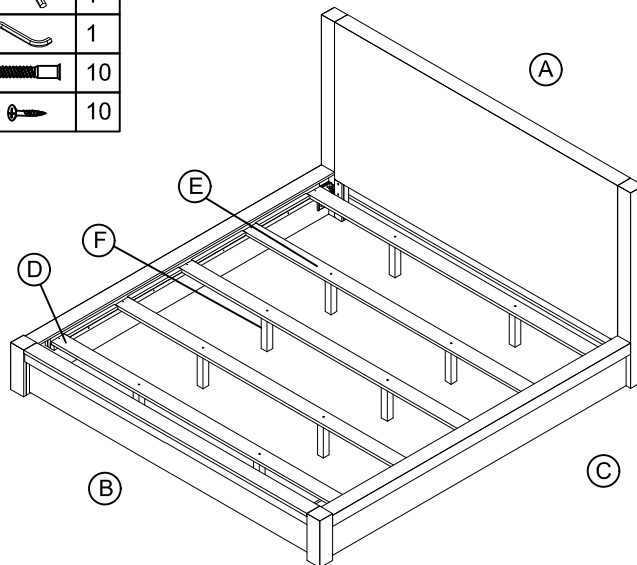
ROOMS TO GO 

COMPONENT LIST

COMPONENT LIST		
A	Headboard KS	1
B	Footboard KS	1
C	Siderails	2
E	Perforated slats	5
F	Leg	10

HARDWARE LIST HEADBOARD & FOOTBOARD KS

HARDWARE LIST HEADBOARD & FOOTBOARD KS			
1	Allen key 3/16"		1
2	Allen key 4 mm		1
3	Screws 7 X 11 X 50		10
4	Screws 8 X 1 X 1 1/2"		10



Hardware pack location(s):

900-KFB-WAL

KG PNL FTBD W/SLATS

SKU 32899001

①

Created 9/2023 Version 01

Assembly Instructions

900-KHB-WAL
900-KFB-WAL
900-QS/KS

KG PNL HDBD
KG PNL FTBD W/SLATS
QN/KG RAILS

SKU 32499003
SKU 32899001
SKU 32999003

This product is manufactured by HLLC for

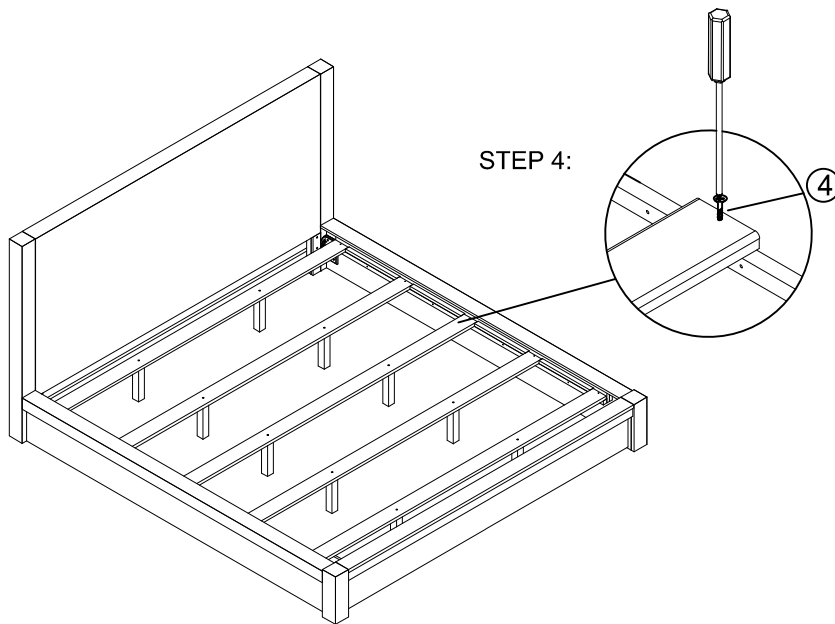
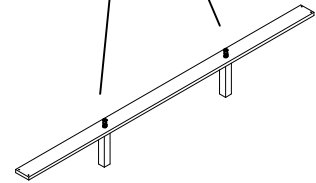
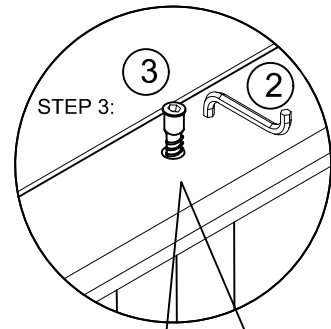
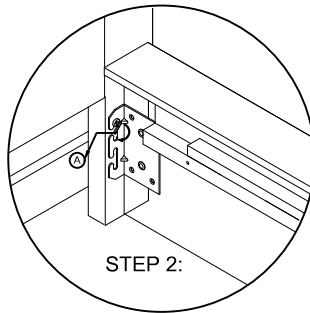
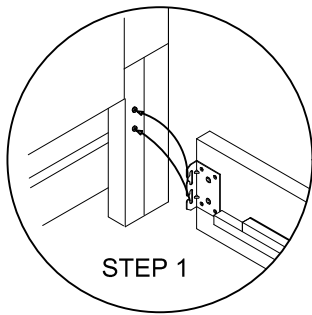
ROOMS TO GO 

STEP 1: Secure the rails to headboard and footboard.

STEP 2: Tighten the screws on the bed frame bracket as shown in the drawing.

STEP 3: secure the leg to the slats using the screws (3).

STEP 4: Place the slats inside the rails and secure it using screws (4).



Assembly Instructions

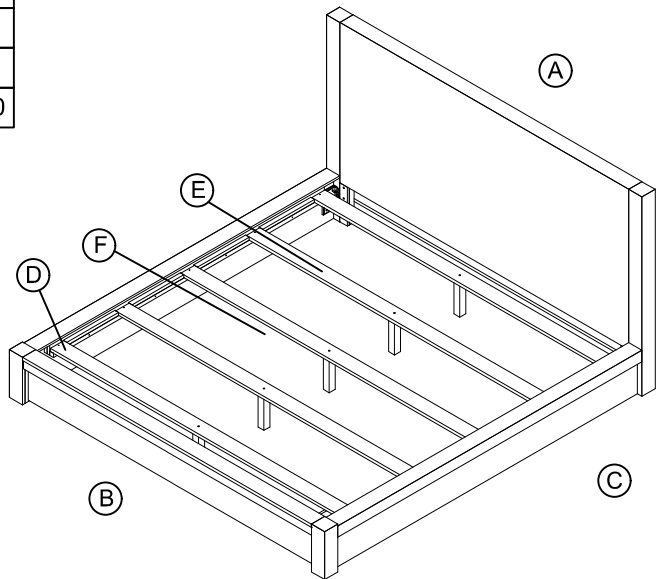
900-QHB-WAL	QN PNL HDBD	SKU 32399001
900-QFB-WAL	QN PNL FTBD W/SLATS	SKU 32799009
900-QS/KS	QN/KG RAILS	SKU 32999003

This product is manufactured by HLLC for

ROOMS TO GO

COMPONENT LIST		
A	Headboard QS	1
B	Footboard QS	1
C	Siderails	2
E	Perforated slats	5
F	Leg	5

HARDWARE LIST HEADBOARD & FOOTBOARD QS			
1	Allen key 3/16"		1
2	Allen key 4 mm		1
3	Screws 7 X 11 X 50		5
4	Screws 8 X 1 X 1 1/2"		10



Hardware pack location(s):

900-QFB-WAL	QN PNL FTBD W/SLATS	SKU 32799009
-------------	---------------------	--------------

Assembly Instructions

900-QHB-WAL
900-QFB-WAL
900-QS/KS

QN PNL HDBD
QN PNL FTBD W/SLATS
QN/KG RAILS

SKU 32399001
SKU 32799009
SKU 32999003

This product is manufactured by HLLC for

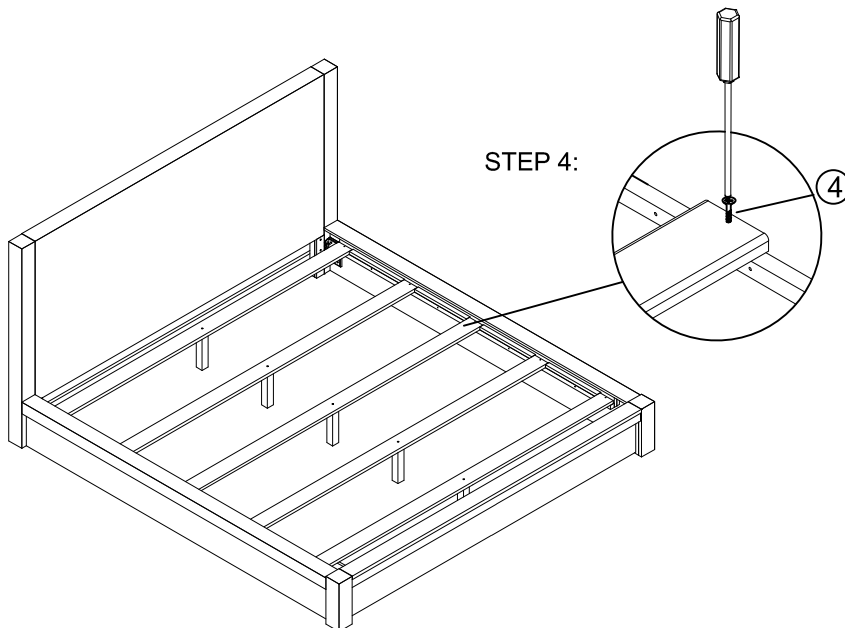
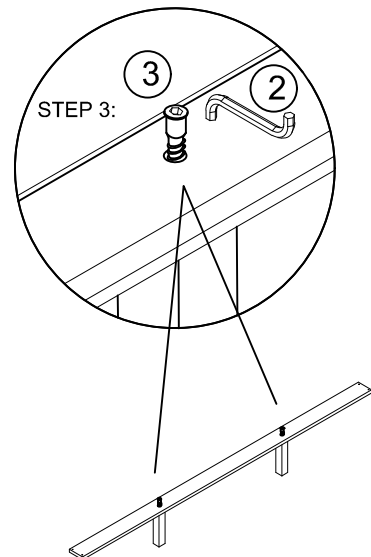
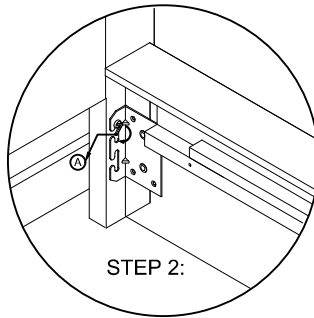
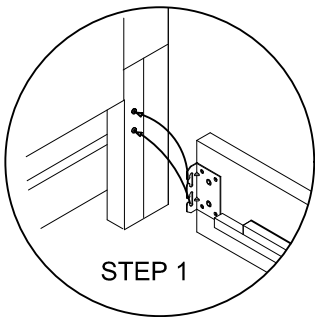
ROOMS TO GO 

STEP 1: Secure the rails to headboard and footboard.

STEP 2: Tighten the screws on the bed frame bracket as shown in the drawing.

STEP 3: secure the leg to the slats using the screws (3).

STEP 4: Place the slats inside the rails and secure it using screws (4).






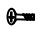
Assembly Instructions

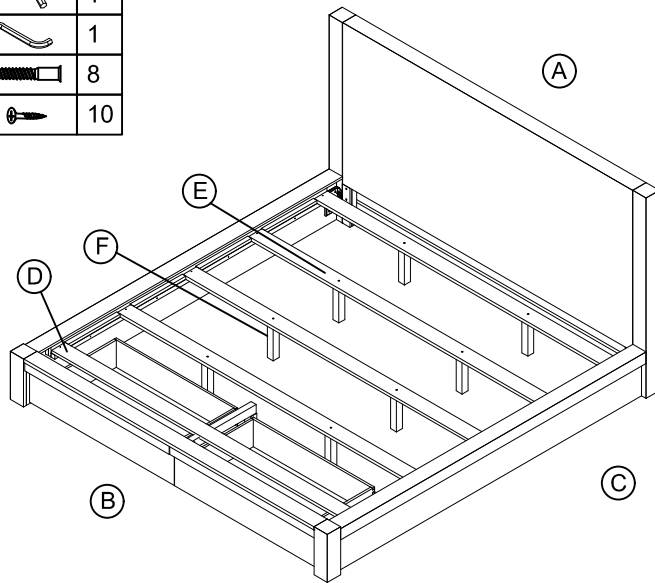
900-KHB-WAL	KG PNL HDBD	SKU 32499003
900-KSFB-WAL	KG STRG FTBD W/SLATS	SKU 33899002
900-QS/KS	QN/KG RAILS	SKU 32999003

This product is manufactured by HLLC for

ROOMS TO GO 

COMPONENT LIST		
A	Headboard KS	1
B	Footboard KS	1
C	Siderails	2
D	Slats	1
E	Perforared slats	4
F	Leg	8

HARDWARE LIST HEADBOARD & FOOTBOARD K.S.			
1	Allen key 3/16"		1
2	Allen key 4 mm		1
3	Screws 7 X 11 X 50		8
4	Screws 8 X 1 X 1 1/2"		10



Hardware pack location(s):

900-KSFB-WAL KG STRG FTBD W/SLATS SKU 33899002

Assembly Instructions

900-KHB-WAL	KG PNL HDBD	SKU 32499003
900-KSFB-WAL	KG STRG FTBD W/SLATS	SKU 33899002
900-QS/KS	QN/KG RAILS	SKU 32999003

This product is manufactured by HLLC for

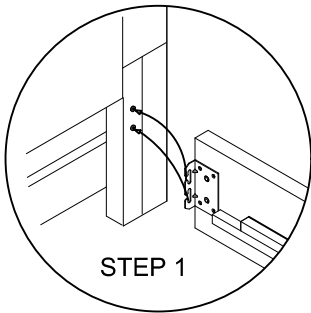
ROOMS TO GO 

STEP 1: Secure the rails to headboard and footboard.

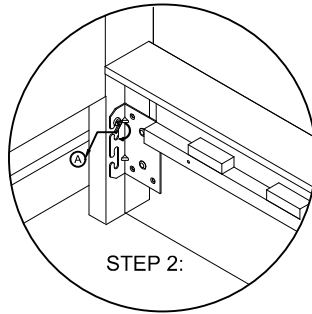
STEP 2: Tighten the screws on the bed frame bracket as shown in the drawing.

STEP 3: secure the leg to the slats using the screws (3) .

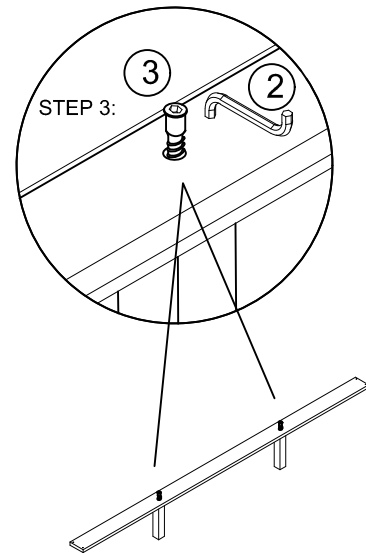
STEP 4: Place the slats inside the rails and secure it using screws (4).



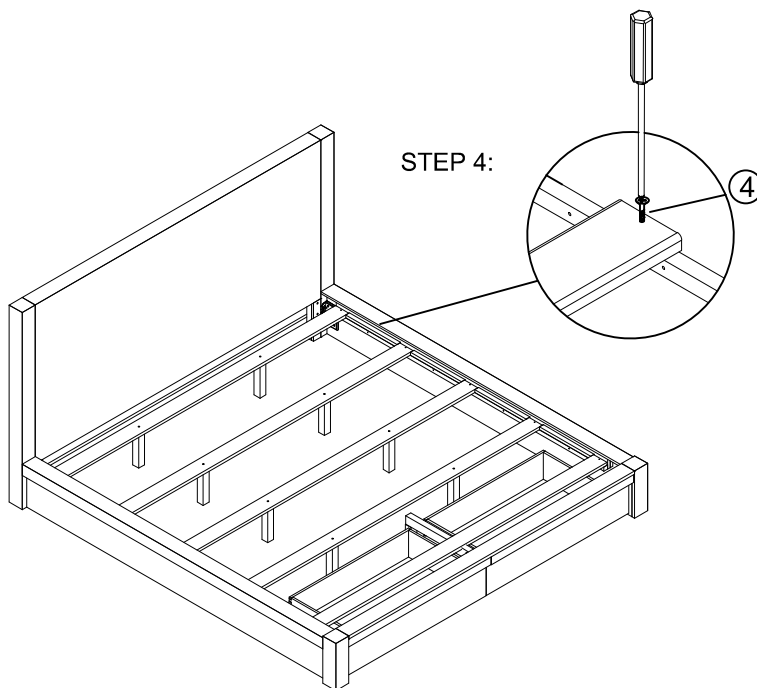
STEP 1



STEP 2:



STEP 3:



STEP 4:

Assembly Instructions

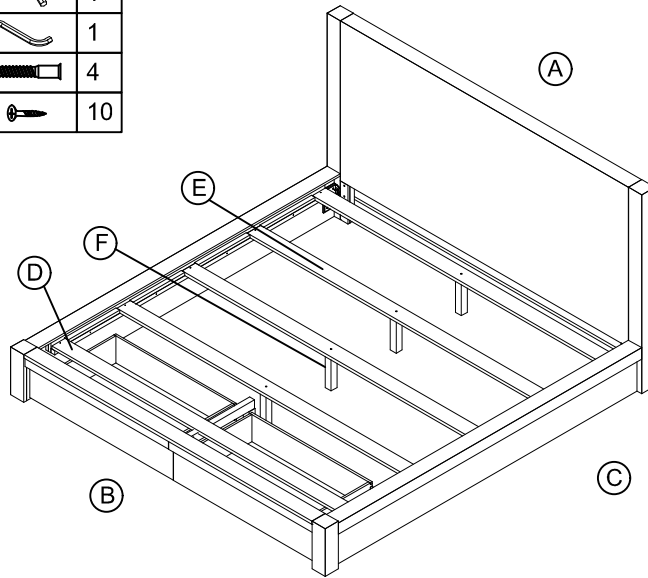
900-QHB-WAL	QN PNL HDBD	SKU 32399001
900-QSFB-WAL	QN STRG FTBD W/SLATS	SKU 33799000
900-QS/KS	QN/KG RAILS	SKU 32999003

This product is manufactured by HLLC for

ROOMS TO GO

COMPONENT LIST		
A	Headboard QS	1
B	Footboard QS	1
C	Siderails	2
D	Slats	1
E	Perforared slats	4
F	Leg	4

HARDWARE LIST HEADBOARD & FOOTBOARD QS			
1	Allen key 3/16"		1
2	Allen key 4 mm		1
3	Screws 7 X 11 X 50		4
4	Screws 8 X 1 X 1 1/2"		10



Hardware pack location(s):

900-QSFB-WAL QN STRG FTBD W/SLATS SKU 33799000

Assembly Instructions

900-QHB-WAL	QN PNL HDBD	SKU 32399001
900-QSFB-WAL	QN STRG FTBD W/SLATS	SKU 33799000
900-QS/KS	QN/KG RAILS	SKU 32999003

This product is manufactured by HLLC for

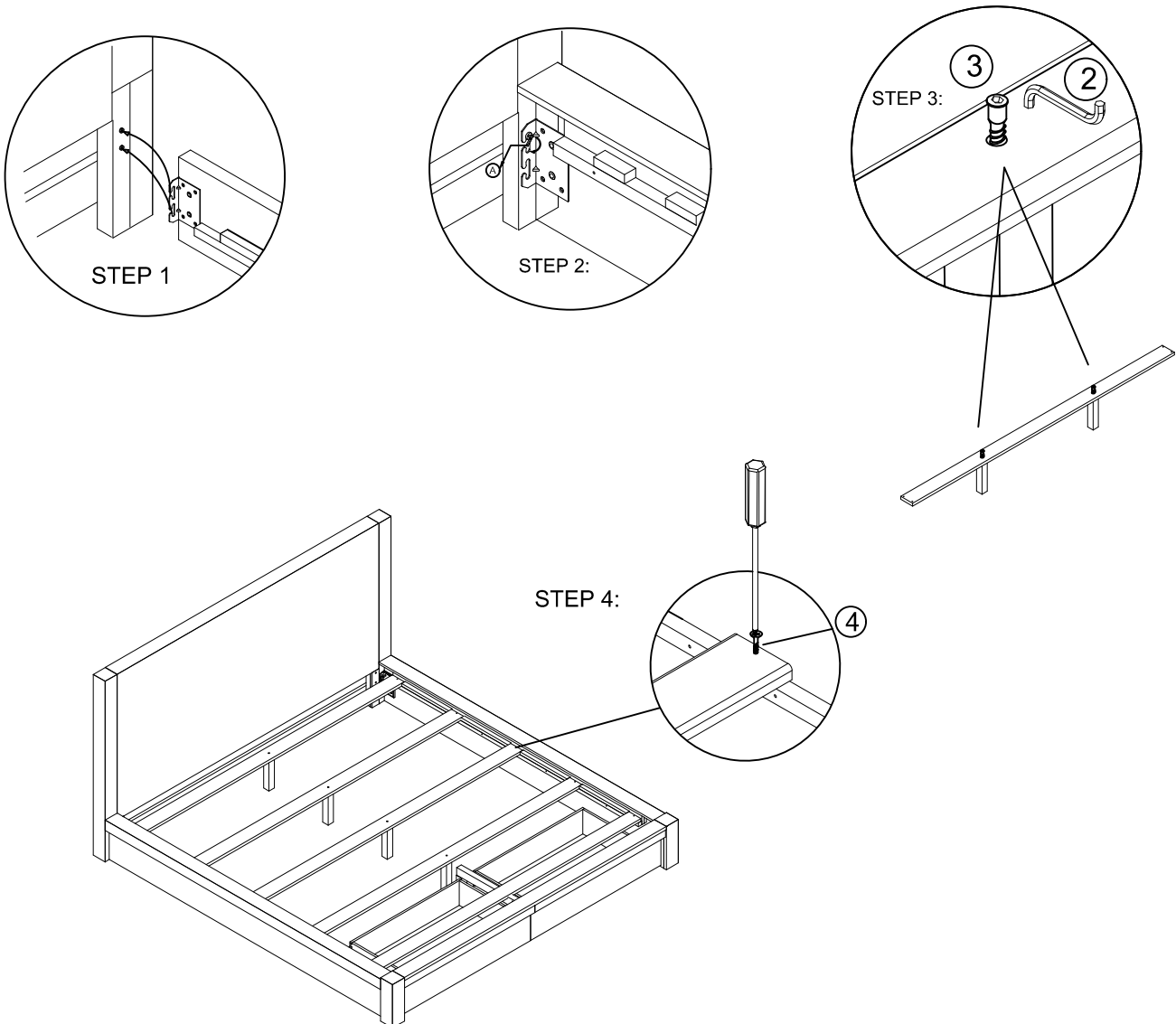
ROOMS TO GO ►

STEP 1: Secure the rails to headboard and footboard.

STEP 2: Tighten the screws on the bed frame bracket as shown in the drawing.

STEP 3: secure the leg to the slats using the screws (3) .

STEP 4: Place the slats inside the rails and secure it using screws (4).



Assembly Instructions

9012-WAL-EP

NIGHSTAND W/USB

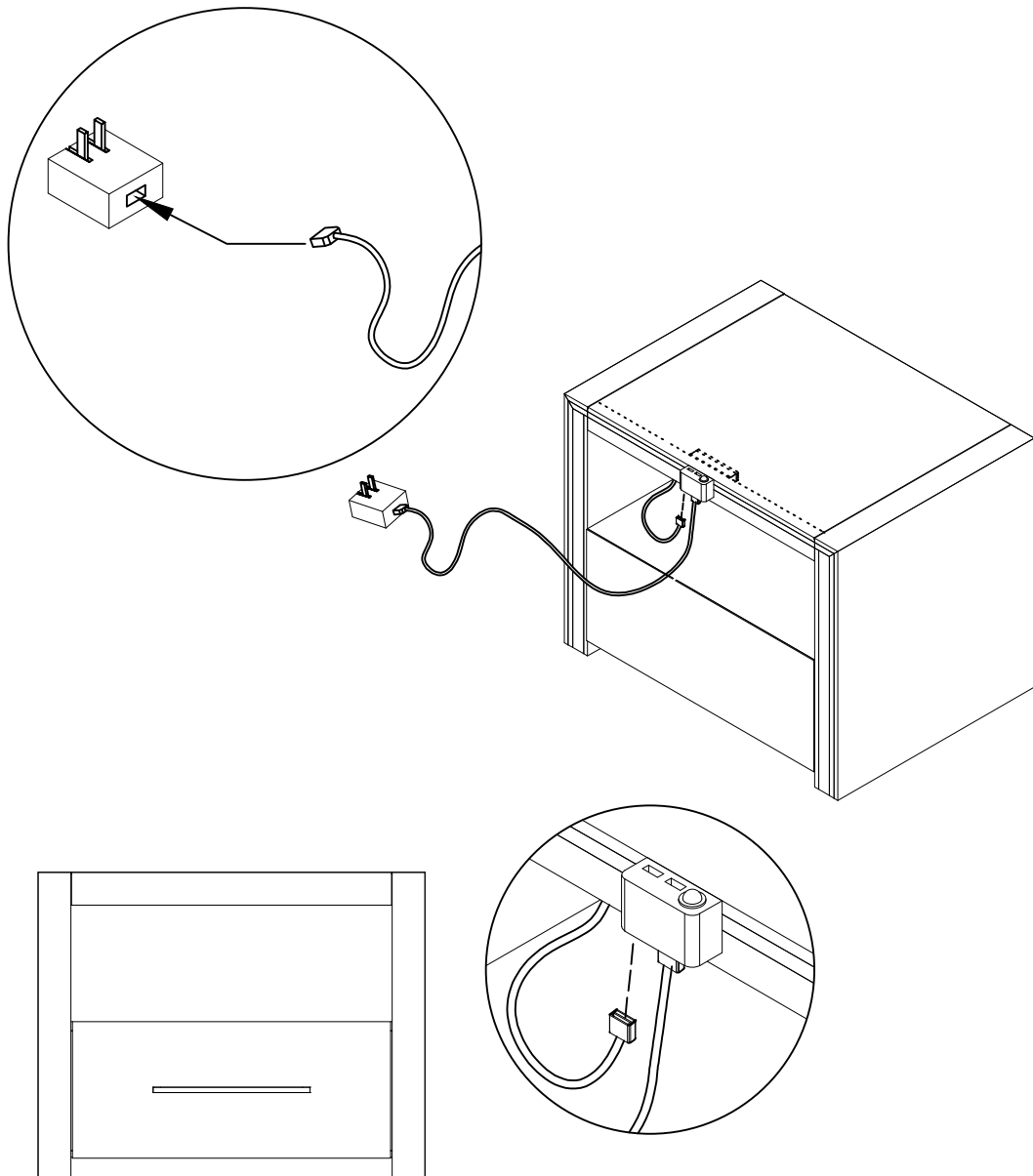
SKU 32599029

This product is manufactured by HLLC for

ROOMS TO GO 

1.- Power supply located inside the drawer.

STEP 1: Locate the usb cable in the nightstand and connect it to the power supply.




Created 9/2023 Version 01

Assembly Instructions

HLLC 900 BLACK 9020-WAL DRESSER
HLLC 900 BLACK 9030-WAL MIRROR

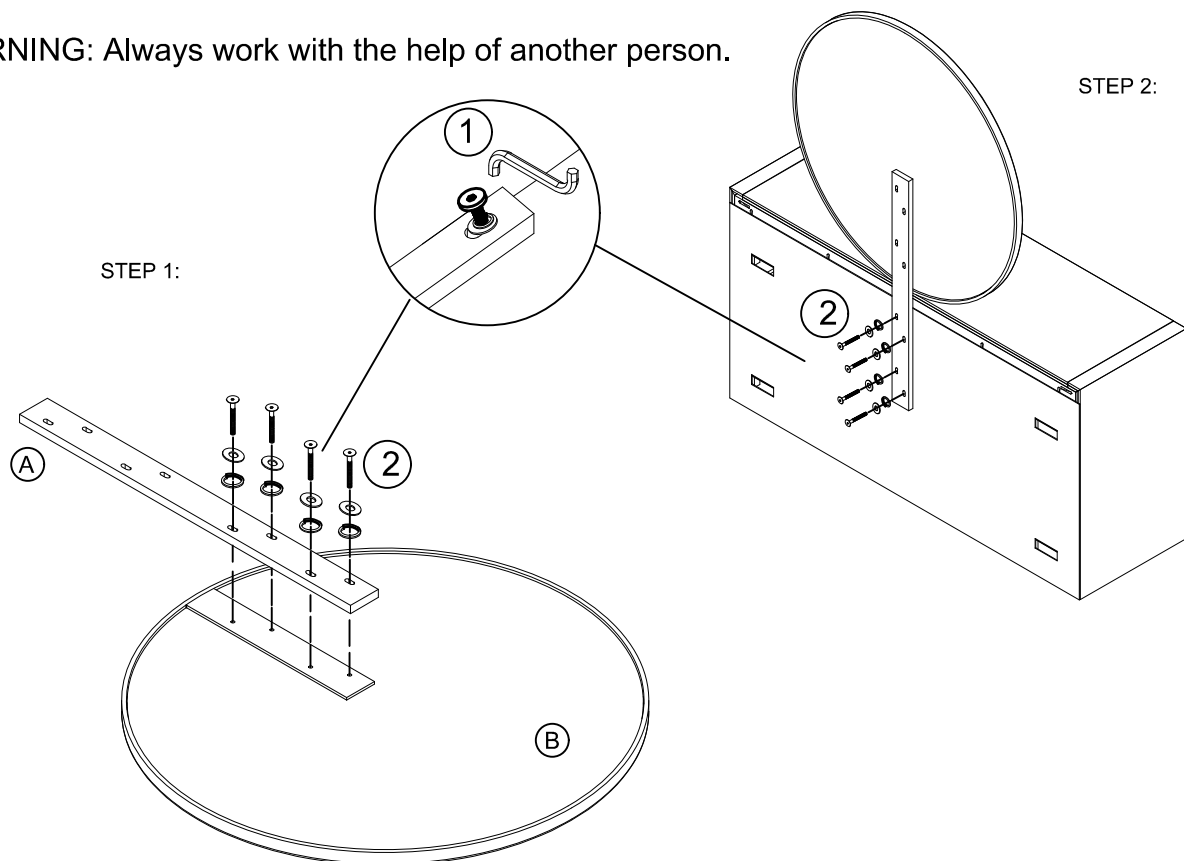
SKU 32199007
SKU 32299009

This product is manufactured by HLLC for **ROOMS TO GO** 

STEP 1: Place the mirror (face down) on a non scratching surface. With the back support on place, screw the four bolts (as shown).

STEP 2: Place the mirror on the dresser, then center and screw the four bolts. tighten the bolts just with the allen key provided.

WARNING: Always work with the help of another person.



Only use the allen key to tighten the bolts, do not use electrical tools.

Check the bolts every three months and tighten again if necessary.

②

Created 9/2023

Version 01

Assembly Instructions

HLLC 900 BLACK 9020-WAL DRESSER

SKU 32199007





HLLC 900 BLACK 9030-WAL MIRROR

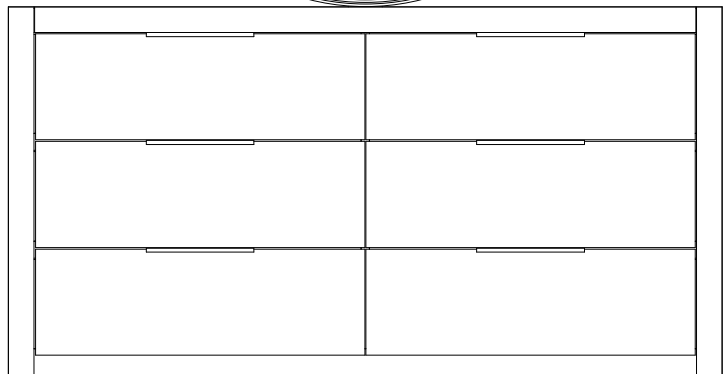
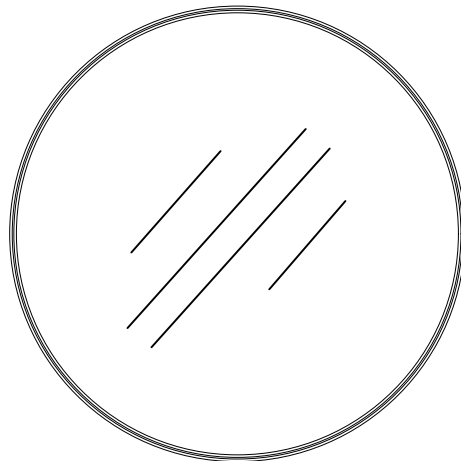
SKU 32299009

This product is manufactured by HLLC for

ROOMS TO GO 

COMPONENT LIST		
A	back support	1
B	Mirror frame	1

HARDWARE LIST MIRROR FRAME			
1	Allen key 4 mm		1
2	Allen Screws 1/4 X 20 X 35MM		8
3	Lock washers		8
4	Washers		8



Hardware pack location(s):

HLLC 900 BLACK 9030-WAL MIRROR

SKU 32299009