



# ASSEMBLY

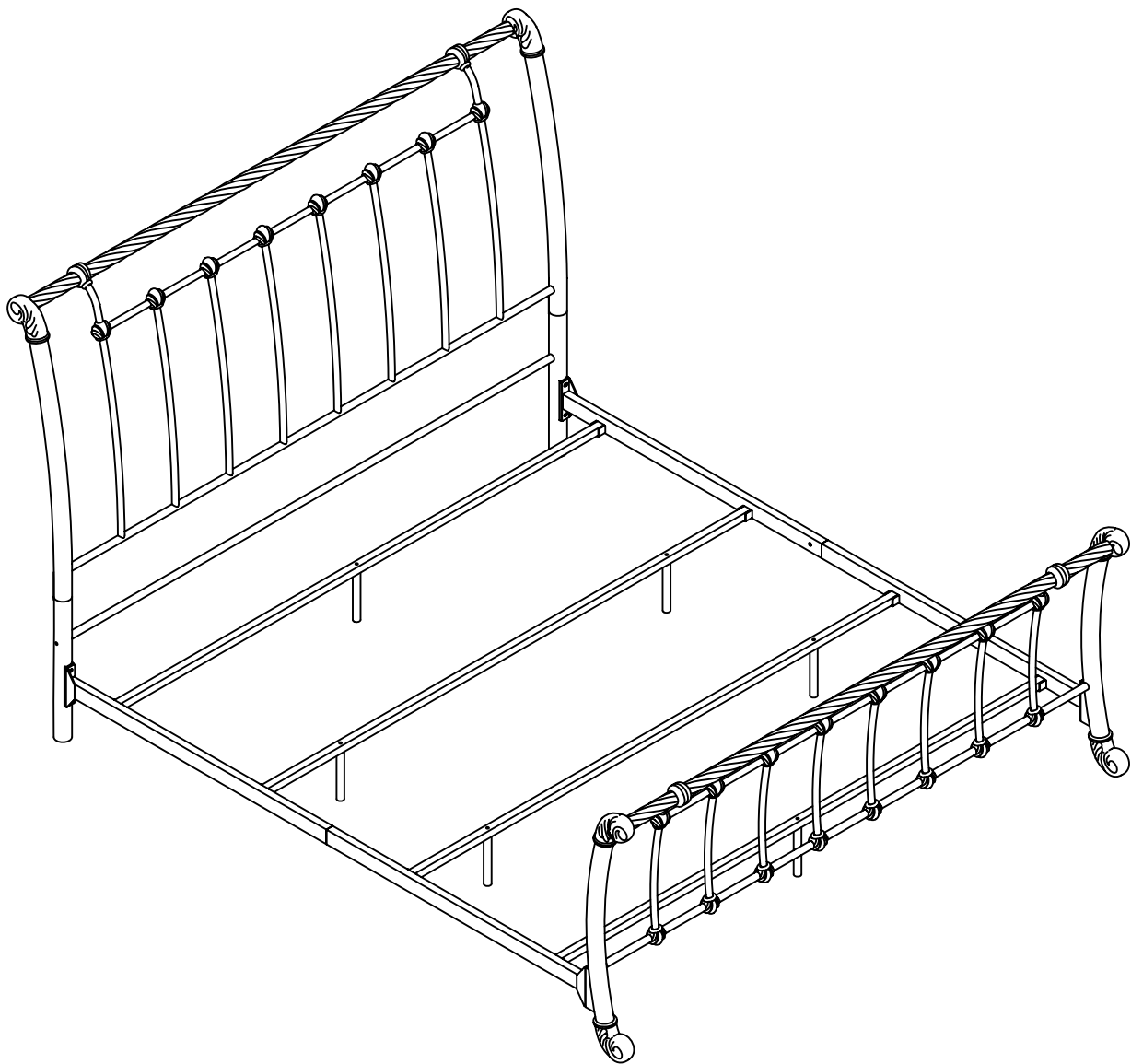
# INSTRUCTIONS

WRLW 41364MCR-K

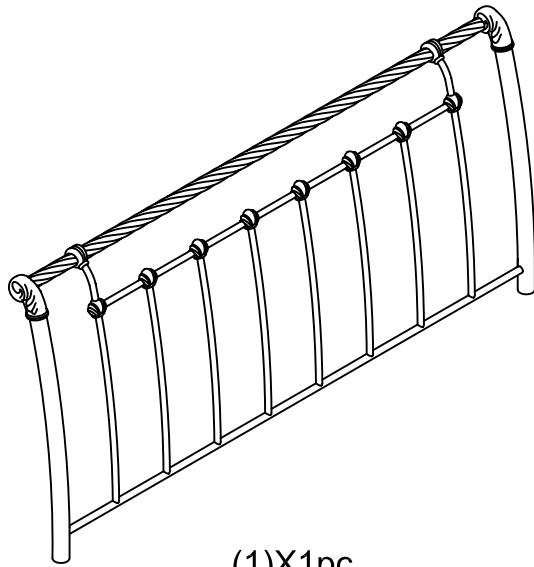
KING BED

SKU#32413659

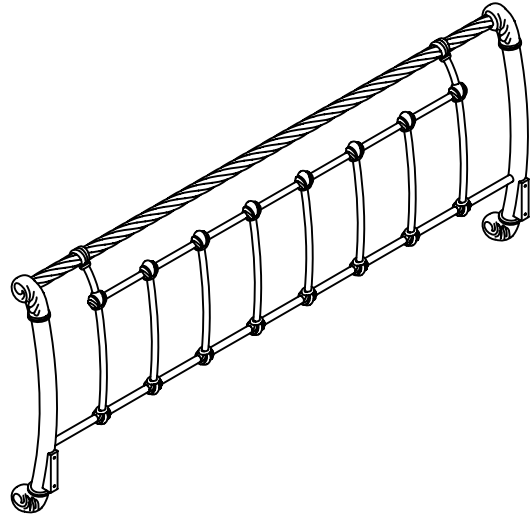
Thank you for purchasing this quality product. Be sure to check all packing material carefully for small parts, which may have come loose inside the carton during shipment. Identify and count all parts and compare with the Hardware List below.



# PARTS IDENTIFICATION



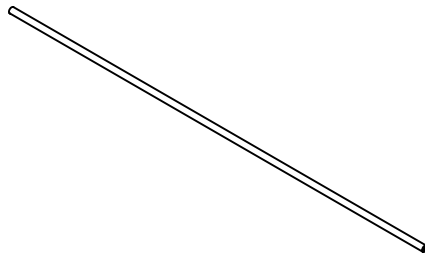
(1)X1pc



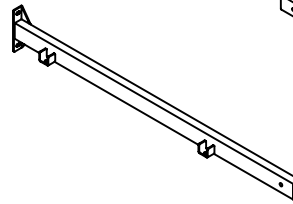
(2)X1pc



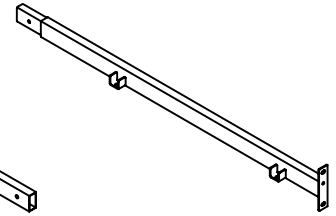
(3)X2pcs



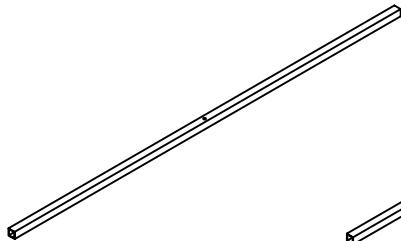
(4)X1pc



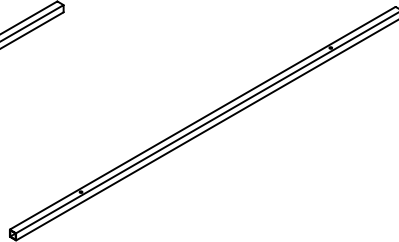
(5)X2pcs



(6)X2pcs



(7)X2pcs


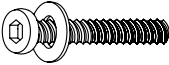

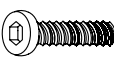




(8)X2pcs



(9)X6pcs

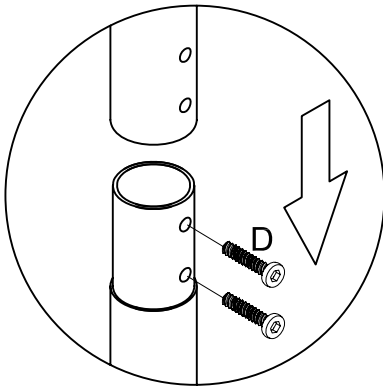
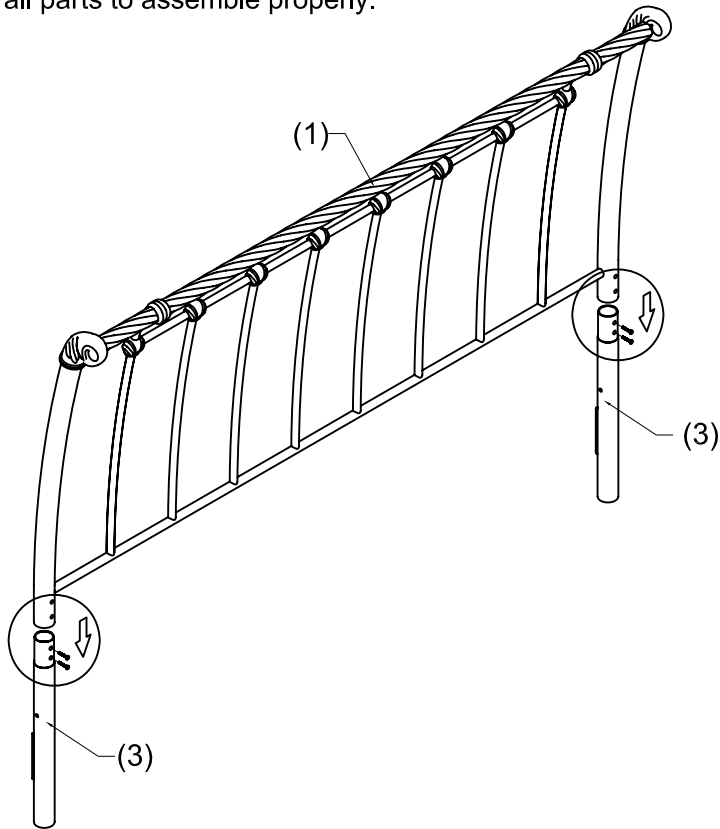
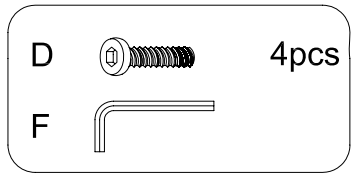
## HARDWARE LIST

A		1/4"x20x5/8"	22pcs
B		1/4"x20x1 <sup>3</sup> / <sub>4</sub> "	6pcs
C		1/4"x20x2 <sup>3</sup> / <sub>4</sub> "	2pcs
D		1/4"x20x5/8"	4pcs
E			2pcs
F		4x4mm	1pc

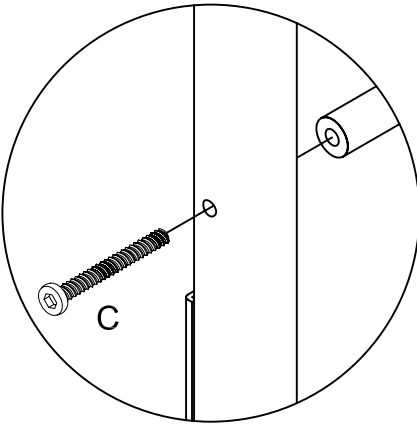
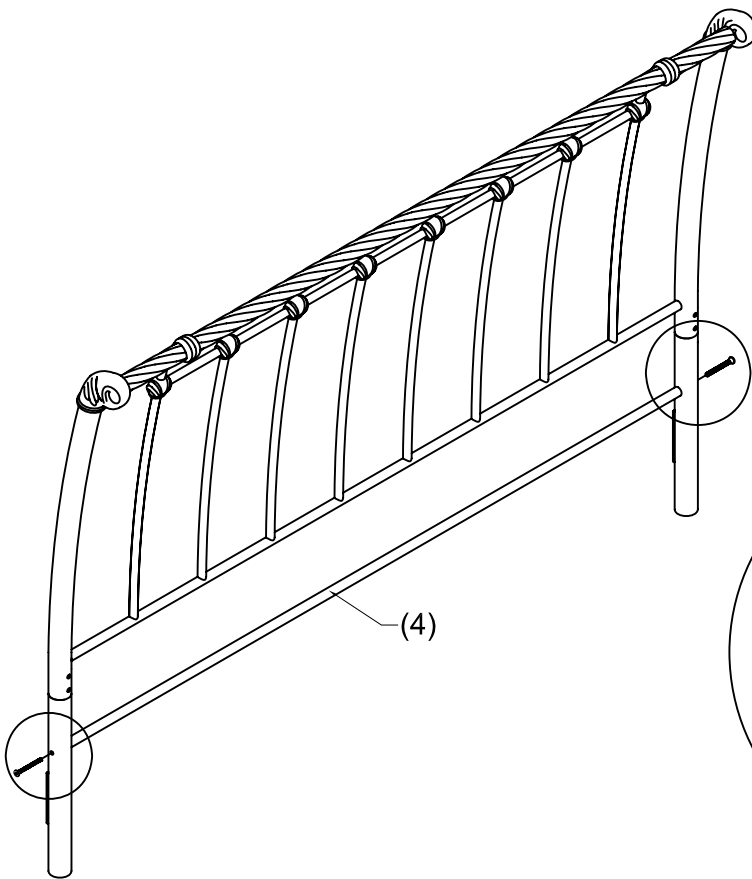
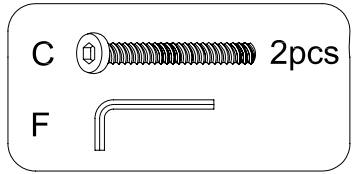
STEP 1:

**ASSEMBLY**

Do not fully tighten all bolts until assembly is complete.  
This will help all parts to assemble properly.



STEP 2:

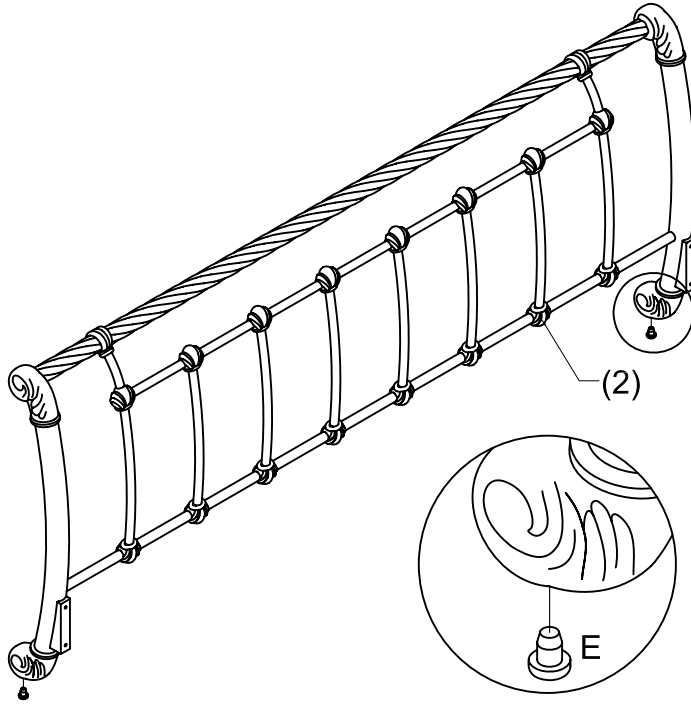


STEP 3:

E

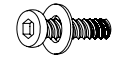


2pcs



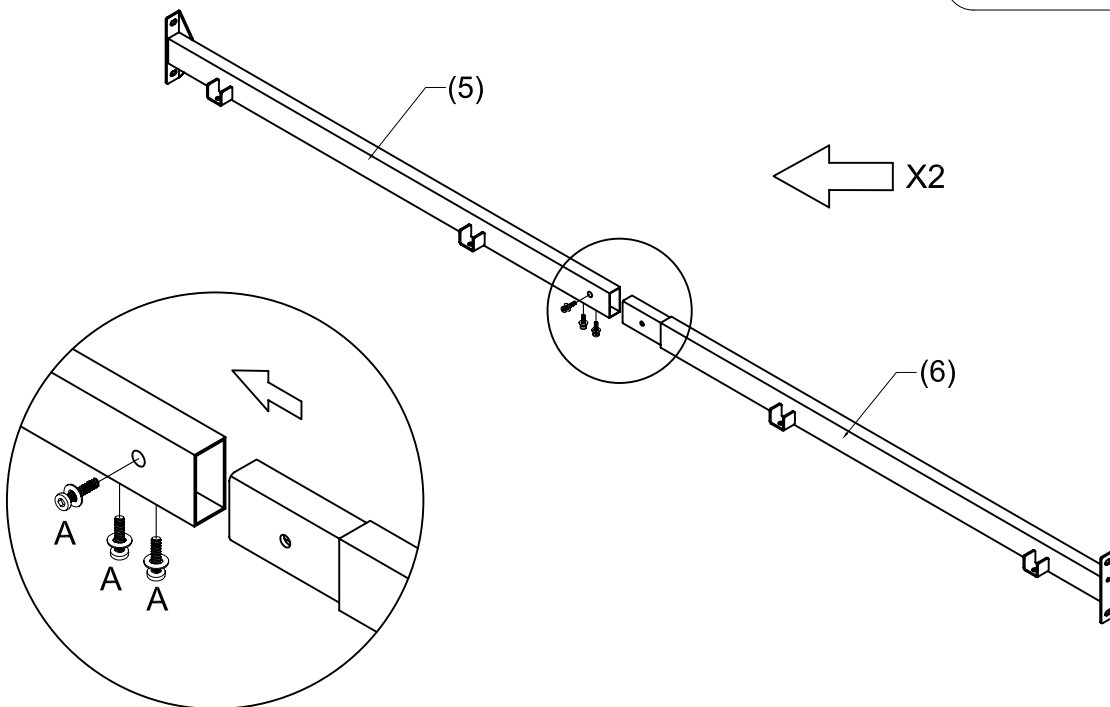
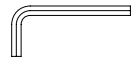
STEP 4:

A

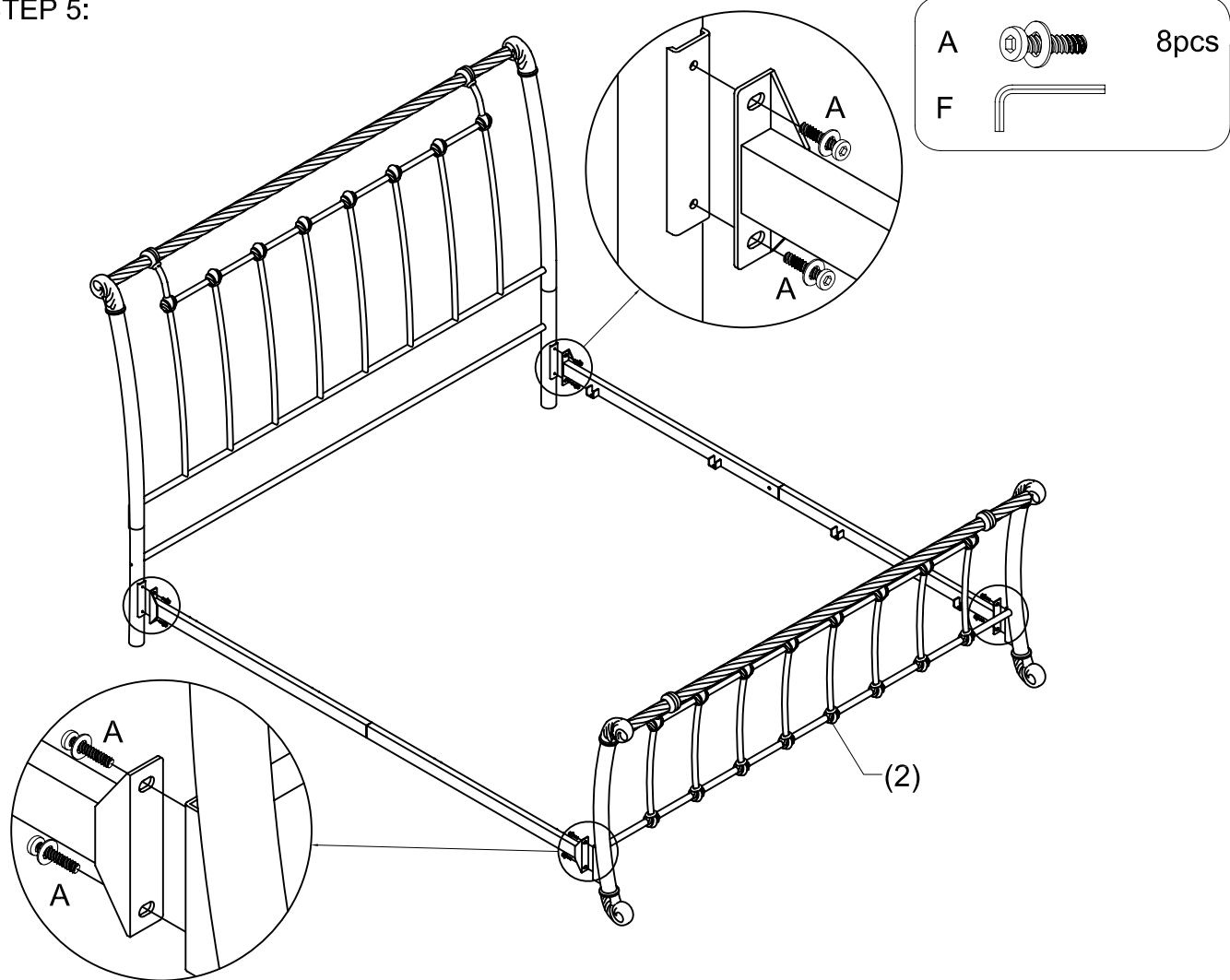


6pcs

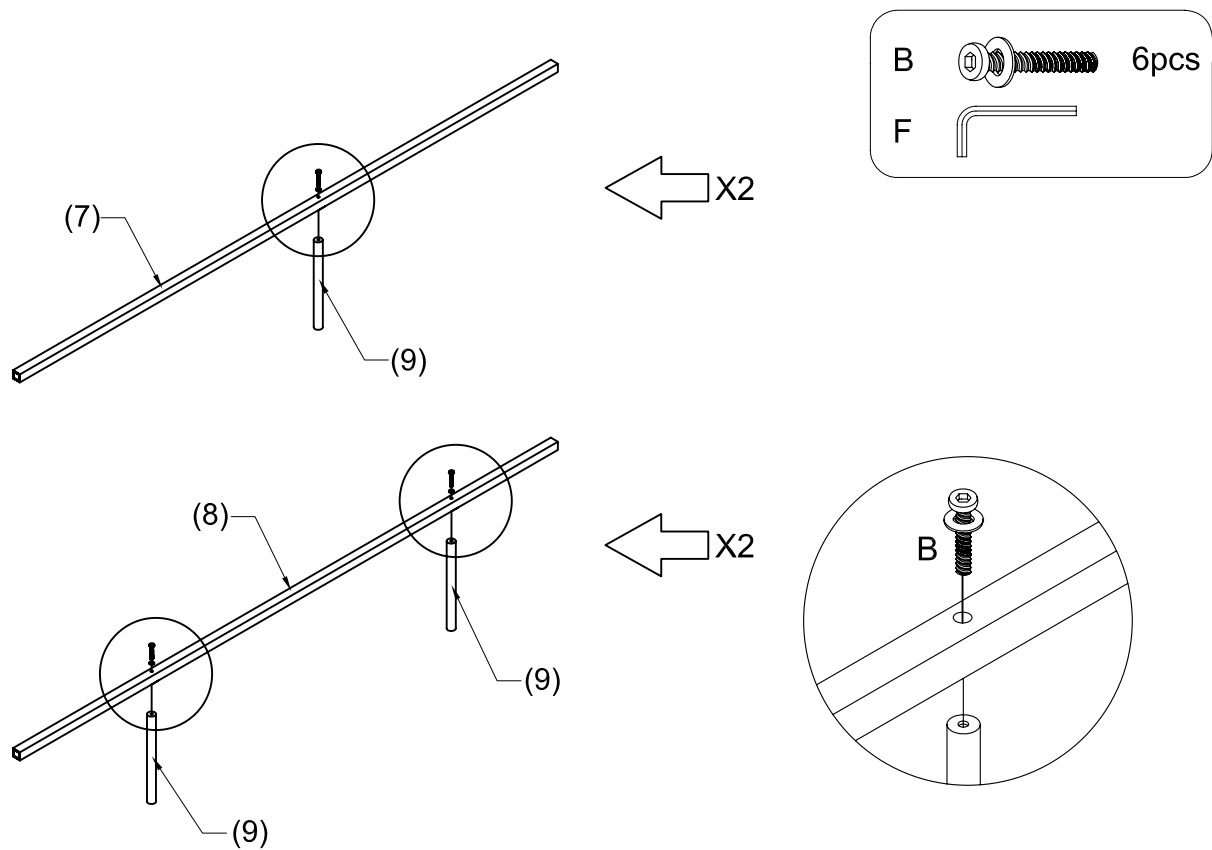
F



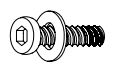
STEP 5:



STEP 6:



STEP 7:

A  8pcs  
F 