



PNWD

Assembly Instructions

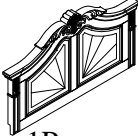
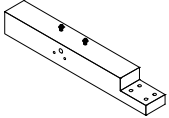
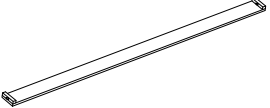
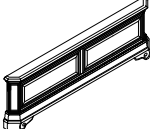

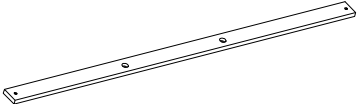

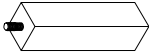
Manufactured for
Rooms To Go

2257-6UH KG UPH HEADBOARD
 2257-6F KG FOOTBOARD
 2257-56R QN/KG RAILS

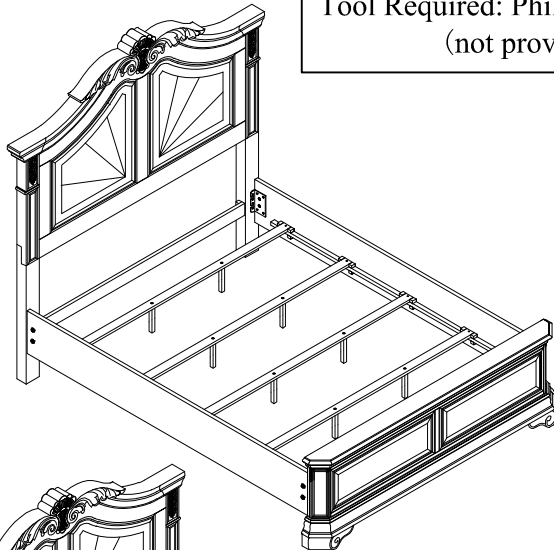
SKU# 32422571
 SKU# 32822579
 SKU# 32922571

Step	Code	Hardware	Q'TY
	A	Allen Key	1Pc
1	B	Bolt 5/16" x 18 x 1 5/8"	10Pcs
		Spring Washer 5/16" dia.	10Pcs
		Flat Washer 5/16" dia.	10Pcs
2	C	Wood Screws #8 x 1 1/4"	8Pcs

PARTS LIST

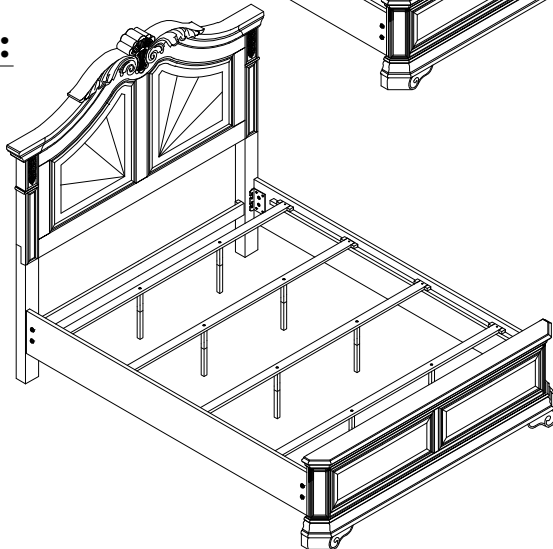
	1.Headboard - 1Pc
	2.HB Post - 2Pcs (L=1 R=1)
	3.HB Bottom Rail - 1Pc
	4.Footboard - 1Pc
	5.Side Rail - 2Pcs
	6.Slats - 4Pcs
	7.Long Support Leg - 8Pcs
	8.Short Support Leg - 8Pcs

Option 1:



Tool Required: Philip screwdriver
(not provided)

Option 2:



HARDWARE PACK LOCATION(S):
PNWD

2257-6UH KG UPH HEADBOARD

SKU# 32422571



PNWD

Assembly Instructions

Manufactured for
Rooms To Go

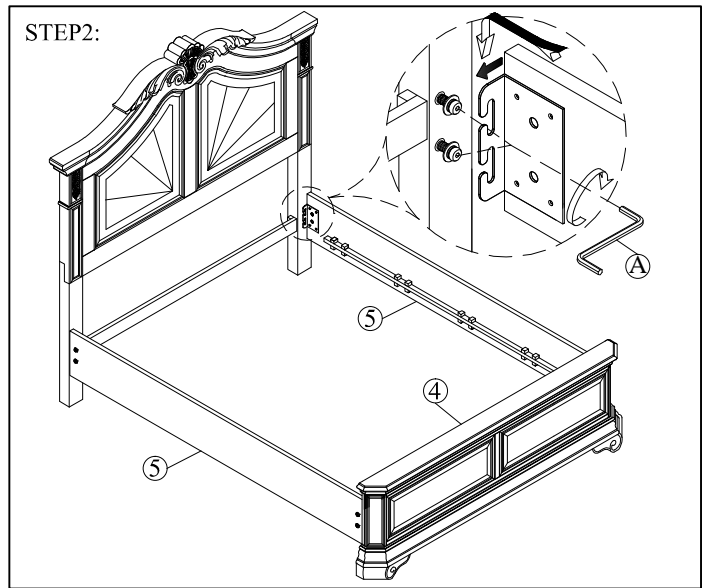
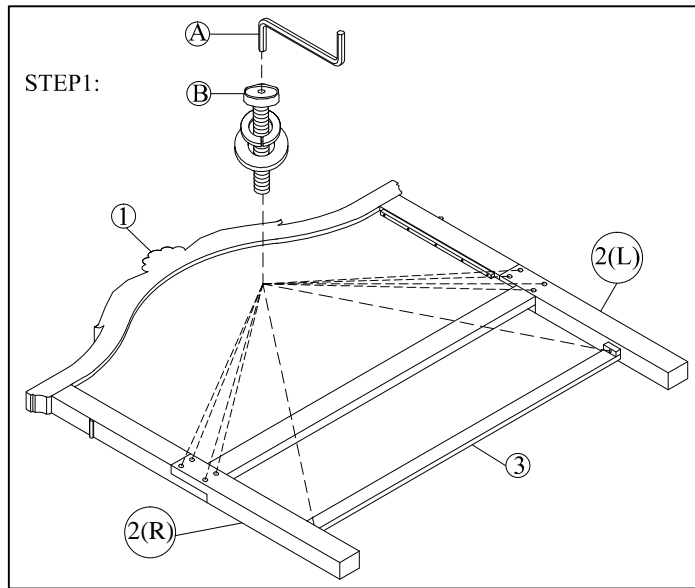
2257-6UH KG UPH HEADBOARD
2257-6F KG FOOTBOARD
2257-56R QN/KG RAILS

SKU# 32422571
SKU# 32822579
SKU# 32922571

***Cautions: Please read all instructions carefully before starting the assembly process. These parts are cumbersome and heavy. Therefore, two people are recommended in order to prevent personal injury and ensure the parts are not damaged during the assembly. There are 2 options to assemble this product. Please refer and follow 2 options as below.

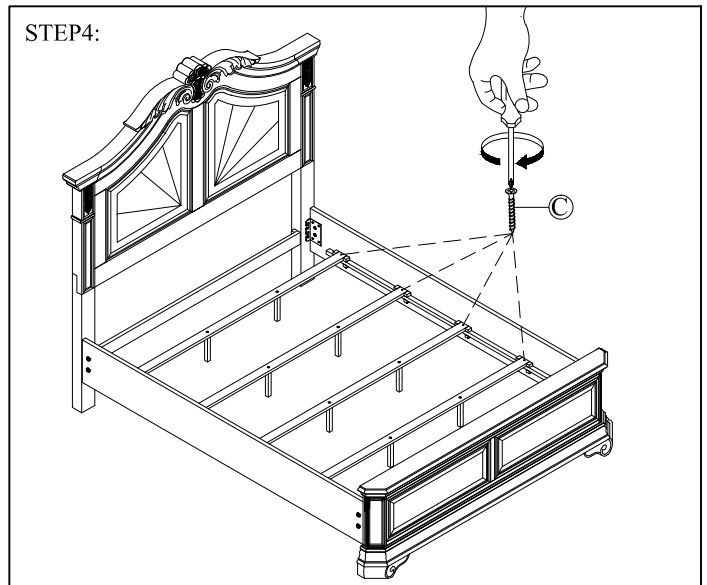
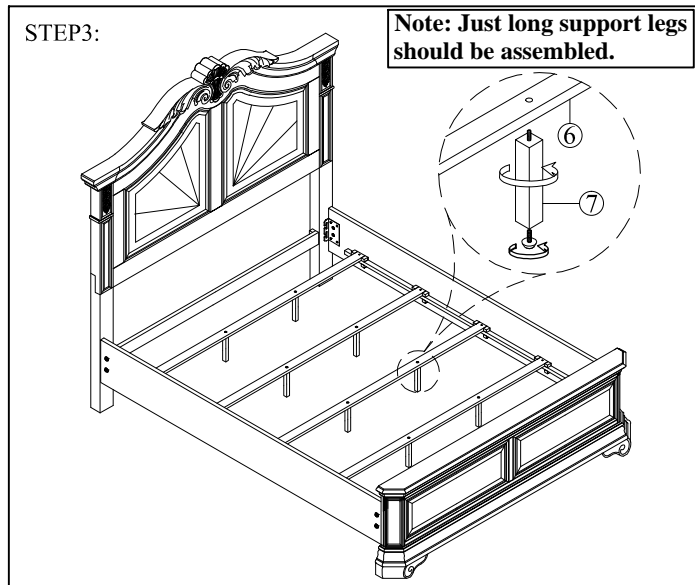
Option 1:

The siderail cleats are at low position.



Attach Headboard post to Headboard panel, Assemble Headboard bottom rail to headboard posts.
Note: Do not tighten all bolts until the HeadBoard is fully assembled.

Remove bolts from headboard and footboard then attach side rails to headboard and footboard with the bolts just take off.



Attach slats to the side rail cleat

Fasten slats. Assembly completed.



PNWD

Assembly Instructions

Manufactured for
Rooms To Go

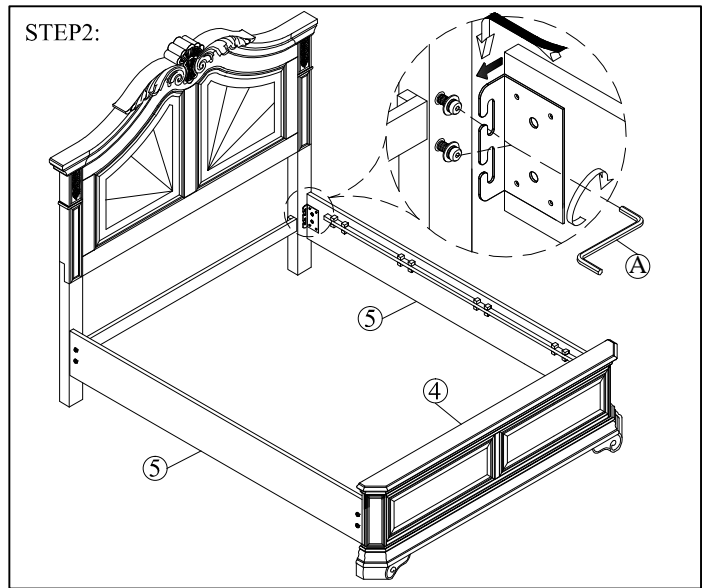
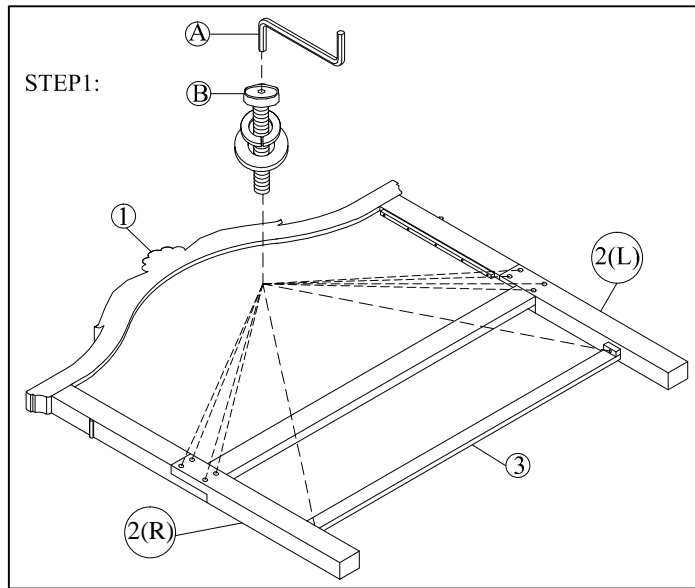
2257-6UH KG UPH HEADBOARD
2257-6F KG FOOTBOARD
2257-56R QN/KG RAILS

SKU# 32422571
SKU# 32822579
SKU# 32922571

***Cautions: Please read all instructions carefully before starting the assembly process. These parts are cumbersome and heavy. Therefore, two people are recommended in order to prevent personal injury and ensure the parts are not damaged during the assembly. There are 2 options to assemble this product. Please refer and follow 2 options as below.

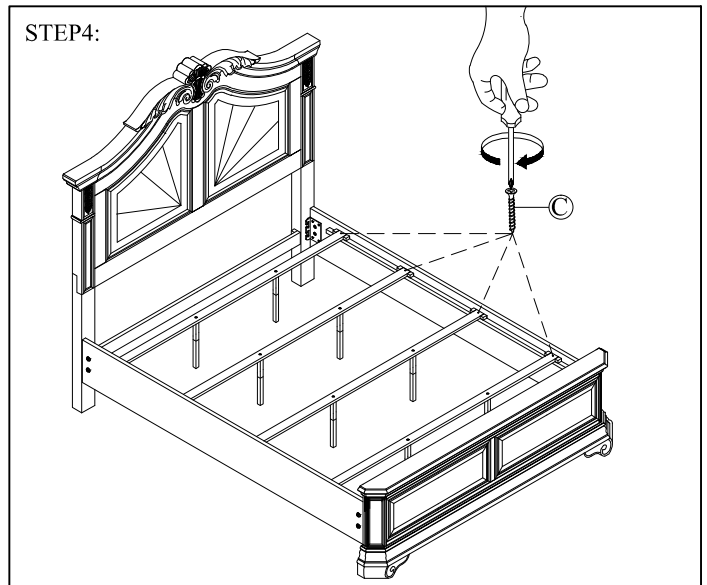
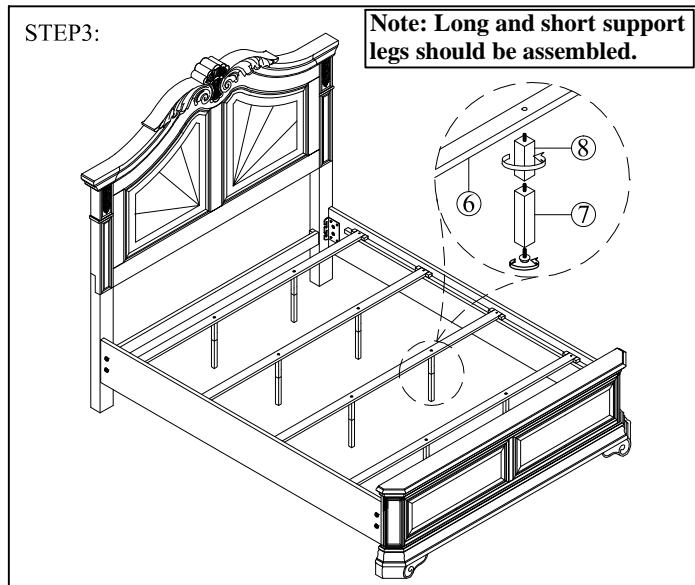
Option 2:

The siderail cleats are at high position.



Attach Headboard post to Headboard panel, Assemble Headboard bottom rail to headboard posts.
Note: Do not tighten all bolts until the HeadBoard is fully assembled.

Remove bolts from headboard and footboard then attach side rails to headboard and footboard with the bolts just take off.



Attach slats to the side rail cleat

Fasten slats. Assembly completed.