






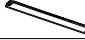
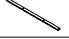
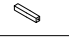

Assembly Instructions

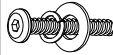
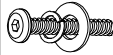
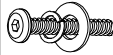




NAJA BDPAT2HBK 32423864 2386-4 KG HEADBOARD WHITE LIGHT
 NAJA BDPAT2HBKC 32423876 2387-4 KG HEADBOARD BROWN
 NAJA BDPAT2FBK 32823862 2386-8 KG FOOTBOARD WHITE LIGHT
 NAJA BDPAT2FBKC 32823874 2387-8 KG FOOTBOARD BROWN
 NAJA BDPAT2RSQ 32923864 2386-9 QN/KG RAILS WHITE LIGHT
 NAJA BDPAT2RSQC 32923876 2387-9 QN/KG RAILS BROWN

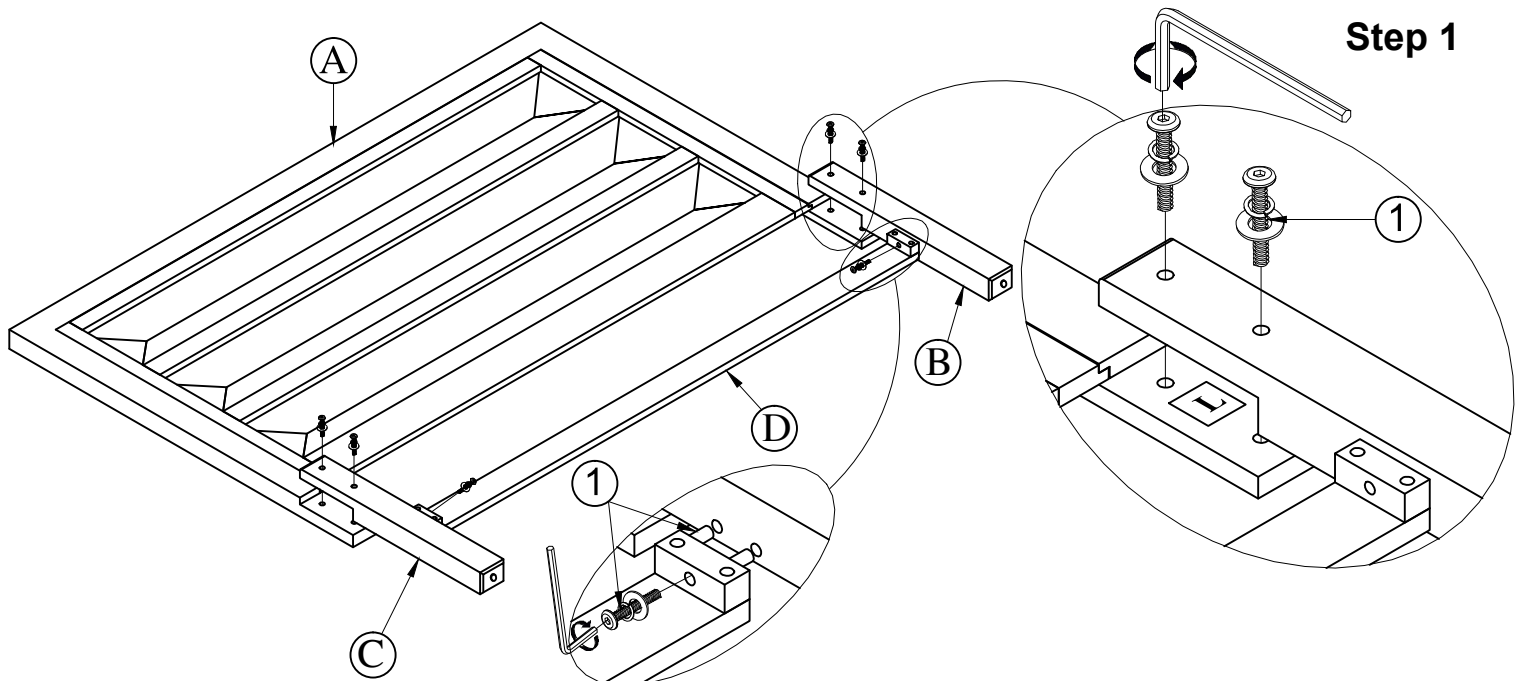
Thank you for purchasing this quality product. Be sure to check all packing material carefully for small parts, which may have come loose inside the carton during shipment. Identify and count all parts and compare with the HARDWARE LIST below.

Caution : Please read instructions thoroughly before unpacking assembly parts.

1. We recommend that you should assemble this product with the assistance of another person; this will make assembly easier, and will help to eliminate damage to the product or injury to persons during assembly.
2. Please do not over tighten screws or bolts until the assembly is completed.
3. Please put all parts on a non - abrasive floor before assembly, and follow the assembly steps to assemble your newly purchased product correctly and efficiently.

NO.	Parts List	Q' TY
A	 King headboard	1
B	 Foot (Left)	1
C	 Foot (Right)	1
D	 Stretcher	1
E	 King footboard	1
F	 Side Rail	2
G	 Slats	5
H	 Upper support legs	10
I	 Lower support legs	10

NO.	Hardware List	Q' TY
1	 $\Phi 5/16"$ x 18x2" L Bolt	6
	 $\Phi 5/16"$ x $\Phi 13$ x 2mm Spring washer	
	 $\Phi 5/16"$ x $\Phi 22$ x 2mm T Flat washer	
4	 Allen wrench (4mm)	1
	 Wood dowel ($\Phi 5/16"$ x 1-5/8")	4
4	 #8 x $\Phi 4$ x 1" L Screw	10
 The screwdriver is not included		



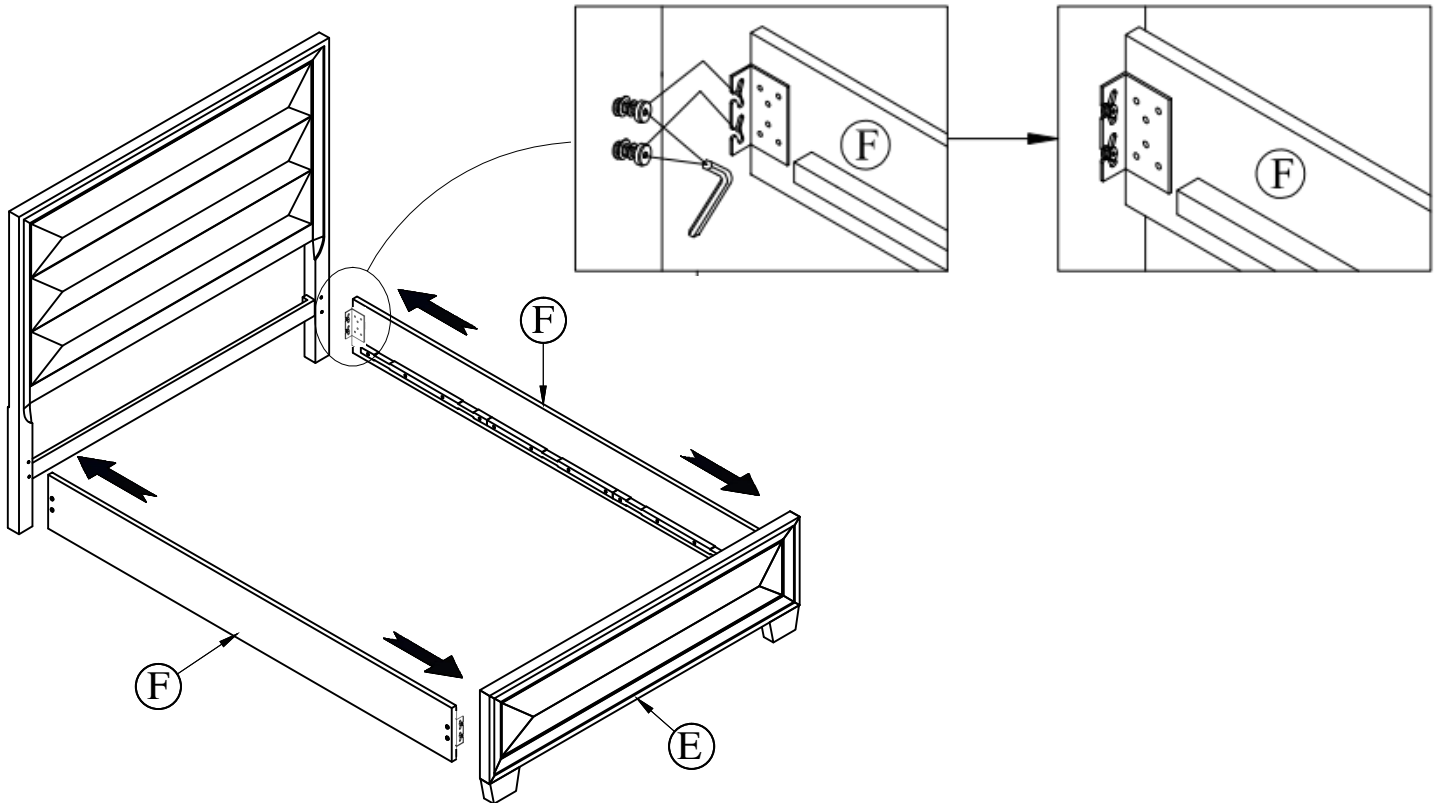
Step 1

Assembly Instructions

NAJA BDPAT2HBK 32423864 2386-4 KG HEADBOARD WHITE LIGHT
 NAJA BDPAT2HBKC 32423876 2387-4 KG HEADBOARD BROWN
 NAJA BDPAT2FBK 32823862 2386-8 KG FOOTBOARD WHITE LIGHT
 NAJA BDPAT2FBKC 32823874 2387-8 KG FOOTBOARD BROWN
 NAJA BDPAT2RSQ 32923864 2386-9 QN/KG RAILS WHITE LIGHT
 NAJA BDPAT2RSQC 32923876 2387-9 QN/KG RAILS BROWN

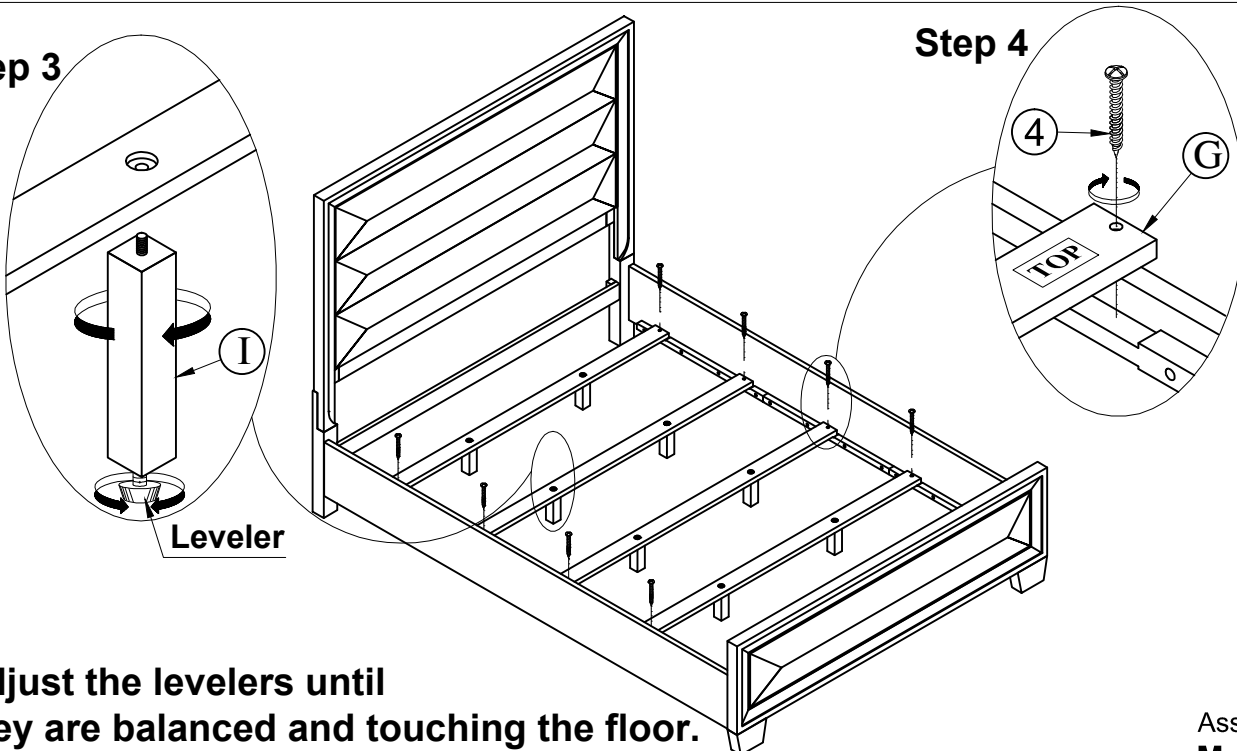
Option 1: Use the Standard support legs by disassembling the Extender leg. (Use with mattress & boxspring)

Step 2



Step 3

Step 4



Adjust the levelers until they are balanced and touching the floor.

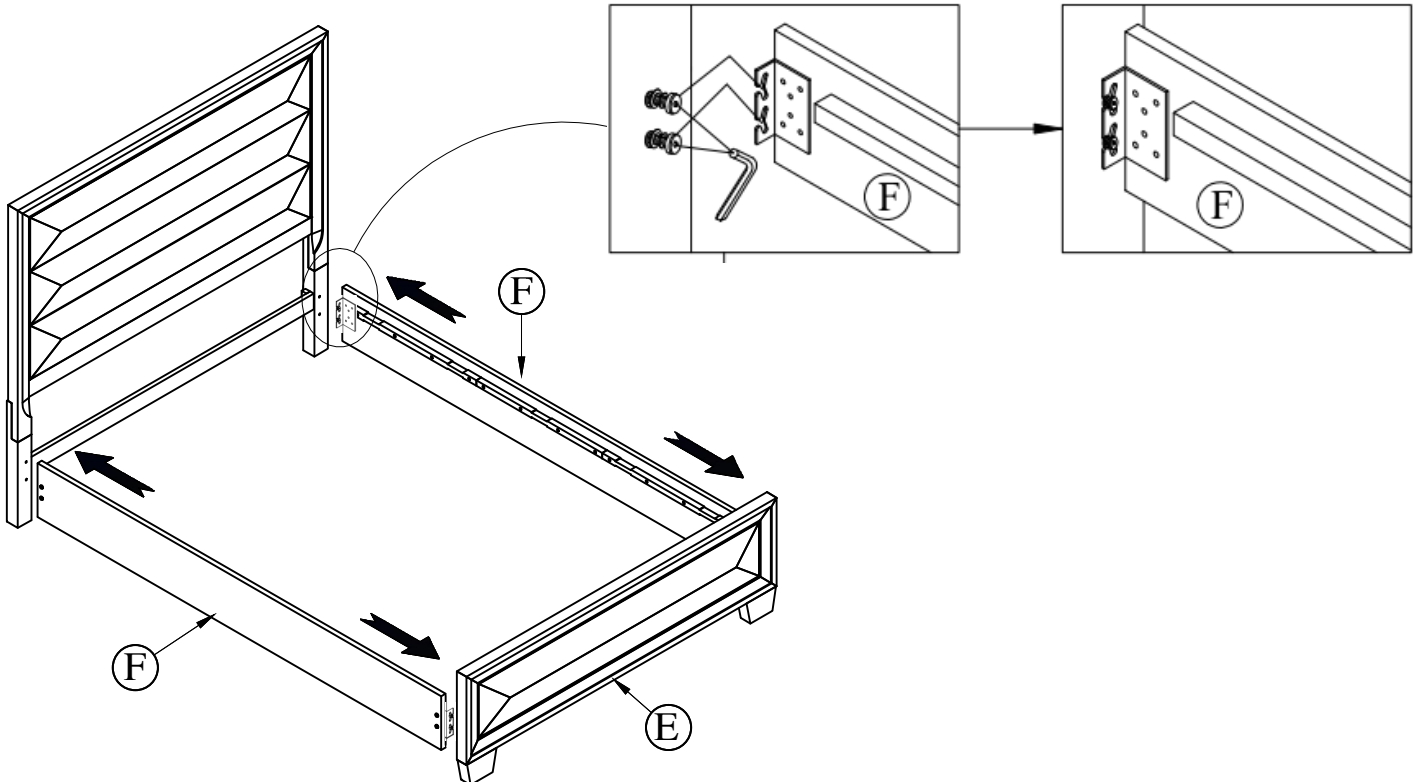
Assembly completed
Made in VietNam

Assembly Instructions

NAJA BDPAT2HBK 32423864 2386-4 KG HEADBOARD WHITE LIGHT
 NAJA BDPAT2HBKC 32423876 2387-4 KG HEADBOARD BROWN
 NAJA BDPAT2FBK 32823862 2386-8 KG FOOTBOARD WHITE LIGHT
 NAJA BDPAT2FBKC 32823874 2387-8 KG FOOTBOARD BROWN
 NAJA BDPAT2RSQ 32923864 2386-9 QN/KG RAILS WHITE LIGHT
 NAJA BDPAT2RSQC 32923876 2387-9 QN/KG RAILS BROWN

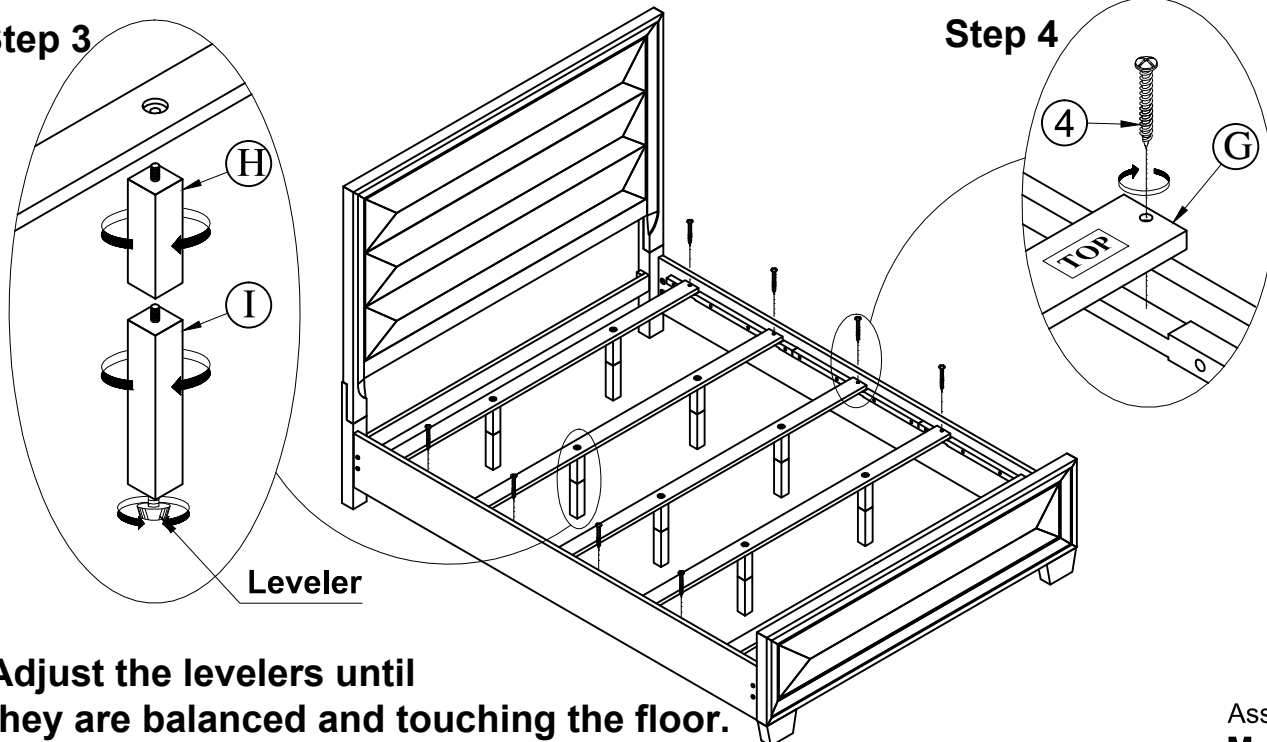
**Option 2: Use both support legs
(With mattress only)**

Step 2



Step 3

Step 4



Adjust the levelers until they are balanced and touching the floor.