

Assembly Instructions



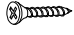











GINA 2504G-KHBF	UPHOL KING HEADBOARD + FOOTBOARD	SKU#32425046
GINA 2504G-QKSR	UPHOL QUEEN /KING SIDERAILS	SKU#32925046
GINA 2514BL-KHBF	UPHOL KING HEADBOARD + FOOTBOARD	SKU#32425147
GINA 2514BL-QKSR	UPHOL QUEEN /KING SIDERAILS	SKU#32925147
GINA 2524BR-KHBF	UPHOL KING HEADBOARD + FOOTBOARD	SKU#32425248
GINA 2524BR-QKSR	UPHOL QUEEN /KING SIDERAILS	SKU#32925248
GINA 2544I-KHBF	UPHOL KING HEADBOARD + FOOTBOARD	SKU#32425440
GINA 2544I-QKSR	UPHOL QUEEN /KING SIDERAILS	SKU#32925440

This product is manufactured by GINA for ROOMS TO GO ►

Thank you for purchasing this quality product. Be sure to check all packing material carefully for small parts, which may have come loose inside the carton during shipment. Identify and count all parts and compare with the HARDWARE LIST below.

Caution: Please read instructions thoroughly before unpacking assembly parts. Sharp, exposed staple tips can cause injury, therefore, for your protection, please remove any exposed staple used in packing.

1. We recommend that you should assemble this product with the assistance of another person; this will make assembly easier, and will help to eliminate damage to the product or injury to persons during assembly.
2. Please do not over tighten screws or bolts until the assembly is completed.

NO:	HARDWARE LISTS		Q'TY	NO:	PARTS LISTS		Q'TY
A	Allen key(4 mmx32 x 75)		1	1	Headboard		1
B	Screw(M4x32 mm)		10	2	Headboard Legs (Left)		1
C	Bolt (Ø5/16x18x32mm)		8	3	Headboard Legs (Right)		1
	Spring washer (Ø5/16"x13x1.5mm)			4	Headboard Stretcher		1
	Flat washer (Ø5/16"x19x2mm)			5	Footboard		1
D	Bolt (Ø5/16x18x50mm)		4	6	Support legs With Leveler		10
	Spring washer (Ø5/16"x13x1.5mm)			7	Support legs		10
	Flat washer (Ø5/16"x19x2mm)			8	Slat		5
9	Leg		2	10	Side Rail		2

Assembly Instructions

GINA 2504G-KHBFB	UPHOL KING HEADBOARD + FOOTBOARD	SKU#32425046
GINA 2504G-QKSR	UPHOL QUEEN /KING SIDERAILS	SKU#32925046
GINA 2514BL-KHBFB	UPHOL KING HEADBOARD + FOOTBOARD	SKU#32425147
GINA 2514BL-QKSR	UPHOL QUEEN /KING SIDERAILS	SKU#32925147
GINA 2524BR-KHBFB	UPHOL KING HEADBOARD + FOOTBOARD	SKU#32425248
GINA 2524BR-QKSR	UPHOL QUEEN /KING SIDERAILS	SKU#32925248
GINA 2544I-KHBFB	UPHOL KING HEADBOARD + FOOTBOARD	SKU#32425440
GINA 2544I-QKSR	UPHOL QUEEN /KING SIDERAILS	SKU#32925440

This product is manufactured by GINA for ROOMS TO GO ►

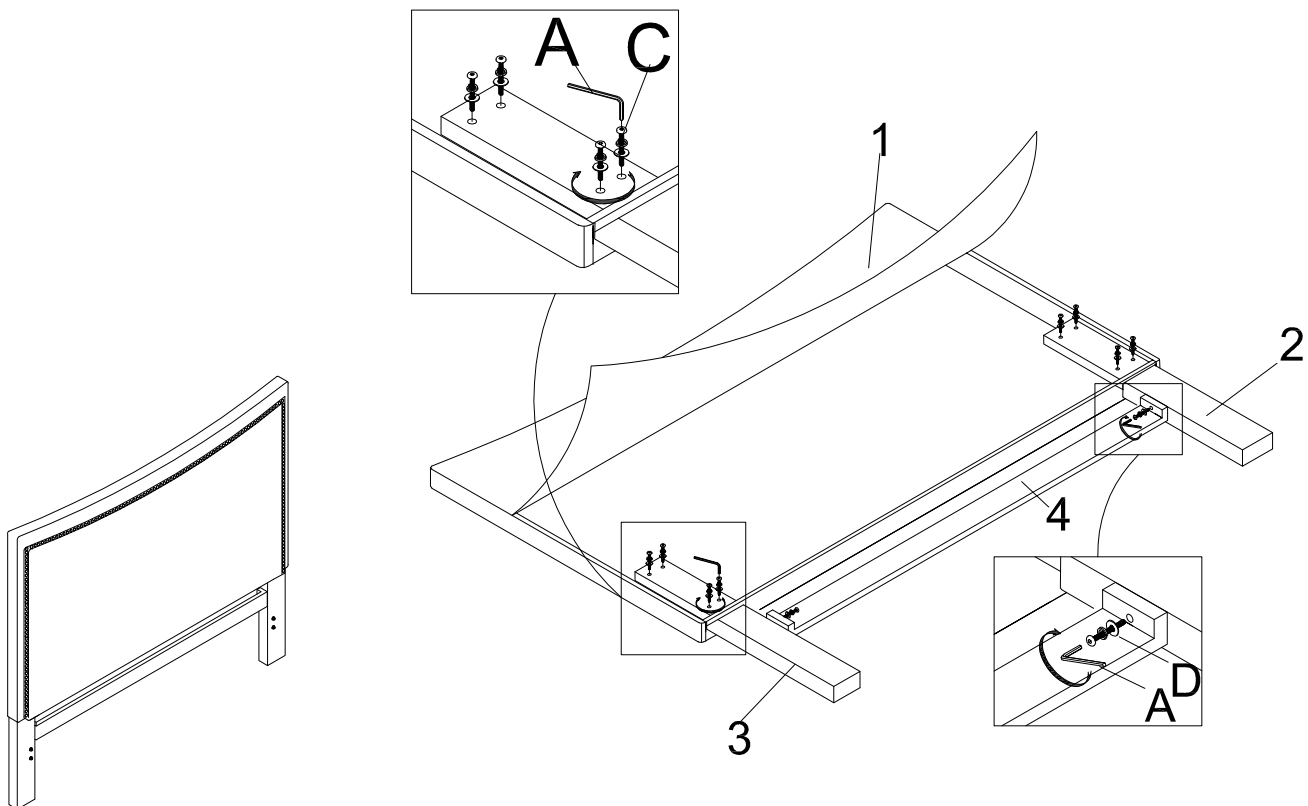
Thank you for purchasing this quality product. Be sure to check all packing material carefully for small parts, which may have come loose inside the carton during shipment. Identify and count all parts and compare with the HARDWARE LIST below.

Caution: Please read instructions thoroughly before unpacking assembly parts. Sharp, exposed staple tips can cause injury, therefore, for your protection, please remove any exposed staple used in packing.

1. We recommend that you should assemble this product with the assistance of another person; this will make assembly easier, and will help to eliminate damage to the product or injury to persons during assembly.
2. Please do not over tighten screws or bolts until the assembly is completed.

Step 1

Attach the headboard legs (2, 3) to the headboard (1) using bolts and washers (C), and tighten with the Allen key (A)
Attach stretcher (4) to the headboard legs (2, 3) using bolts and washers (D), and tighten with the Allen key (A)



Version 1 - 20250923

Hardware Pack Location(s) : GINA 2504G-KHBFB UPHOL KING HEADBOARD + FOOTBOARD SKU#32425046
GINA 2514BL-KHBFB UPHOL KING HEADBOARD + FOOTBOARD SKU#32425147
GINA 2524BR-KHBFB UPHOL KING HEADBOARD + FOOTBOARD SKU#32425248
GINA 2544I-KHBFB UPHOL KING HEADBOARD + FOOTBOARD SKU#32425440

Assembly Instructions

GINA 2504G-KHFBF UPHOL KING HEADBOARD + FOOTBOARD
 GINA 2504G-QKSR UPHOL QUEEN /KING SIDERAILS
 GINA 2514BL-KHFBF UPHOL KING HEADBOARD + FOOTBOARD
 GINA 2514BL-QKSR UPHOL QUEEN /KING SIDERAILS

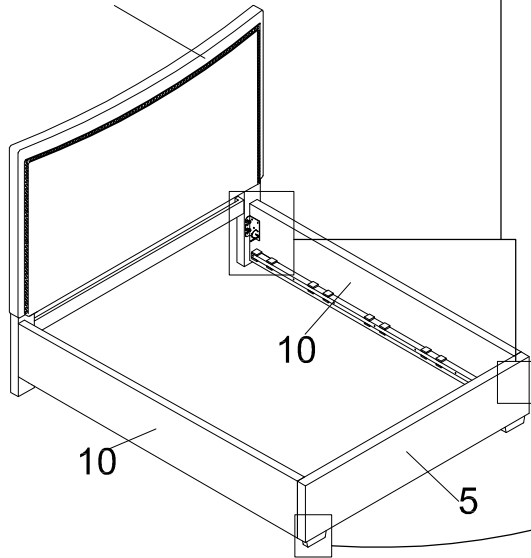
SKU#32425046
 SKU#32925046
 SKU#32425147
 SKU#32925147

GINA 2524BR-KHFBF UPHOL KING HEADBOARD + FOOTBOARD
 GINA 2524BR-QKSR UPHOL QUEEN /KING SIDERAILS
 GINA 2544I-KHFBF UPHOL KING HEADBOARD + FOOTBOARD
 GINA 2544I-QKSR UPHOL QUEEN /KING SIDERAILS

SKU#32425248
 SKU#32925248
 SKU#32425440
 SKU#32925440

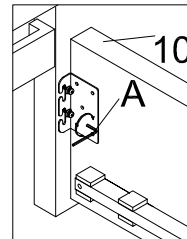
Option 1 - LOW POSITION

Headboard



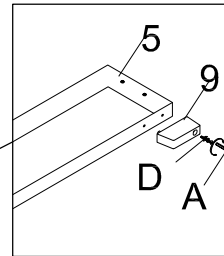
Step 3

Loosen the bolts which were pre-installed on the headboard (1) and footboard (5) using the Allen key (A).



Step 4

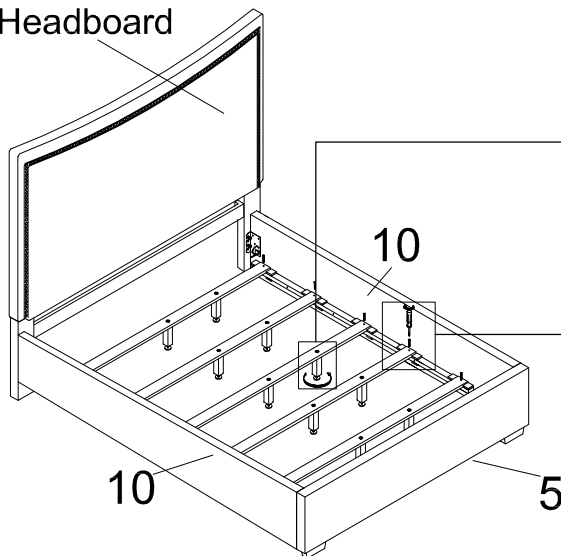
Insert the metal brackets on the side rail (10), into the headboard (1) and footboard (5), then tighten the bolts with the Allen key (A).



Step 2

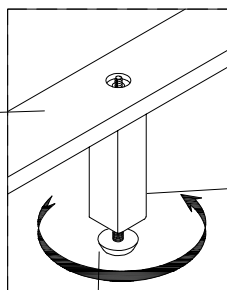
Attach the leg (9) to the footboard (5) using bolts and washers (D), and tighten with the Allen key (A).

Headboard



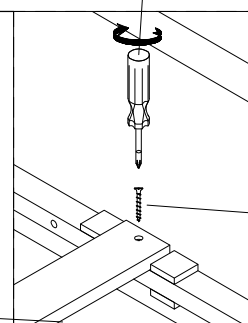
Step 5

Install the support legs with leveler (6) to the slats (8). Rotate the leveler until it is securely fitted, adjust later if needed to balance the bed.



Adjustable Leveler

Not provided



Step 6

Attach slats (8) to the side rails (10) and secure with screws (B).

Hardware Pack Location(s) : GINA 2504G-KHFBF UPHOL KING HEADBOARD + FOOTBOARD
 GINA 2514BL-KHFBF UPHOL KING HEADBOARD + FOOTBOARD
 GINA 2524BR-KHFBF UPHOL KING HEADBOARD + FOOTBOARD
 GINA 2544I-KHFBF UPHOL KING HEADBOARD + FOOTBOARD

SKU#32425046
 SKU#32425147
 SKU#32425248
 SKU#32425440

Assembly Instructions

GINA 2504G-KHBF B UPHOL KING HEADBOARD + FOOTBOARD
 GINA 2504G-QKSR UPHOL QUEEN /KING SIDERAILS
 GINA 2514BL-KHBF B UPHOL KING HEADBOARD + FOOTBOARD
 GINA 2514BL-QKSR UPHOL QUEEN /KING SIDERAILS

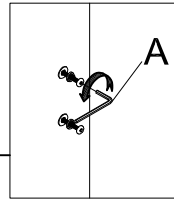
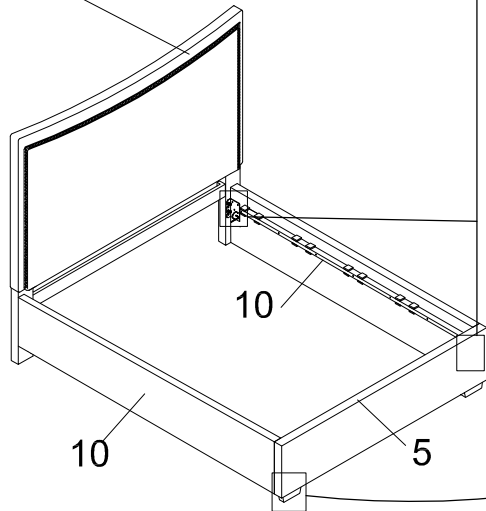
SKU#32425046
 SKU#32925046
 SKU#32425147
 SKU#32925147

GINA 2524BR-KHBF B UPHOL KING HEADBOARD + FOOTBOARD
 GINA 2524BR-QKSR UPHOL QUEEN /KING SIDERAILS
 GINA 2544I-KHBF B UPHOL KING HEADBOARD + FOOTBOARD
 GINA 2544I-QKSR UPHOL QUEEN /KING SIDERAILS

SKU#32425248
 SKU#32925248
 SKU#32425440
 SKU#32925440

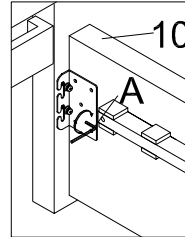
Option 2 - HIGH POSITION

Headboard



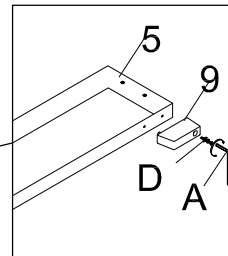
Step 3

Loosen the bolts which were pre-installed on the headboard (1) and footboard (5) using the Allen key (A).



Step 4

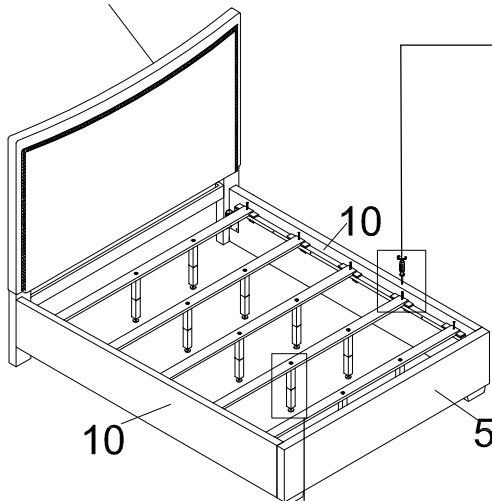
Insert the metal brackets on the side rail (10), into the headboard (1) and footboard (5), then tighten the bolts with the Allen key (A).



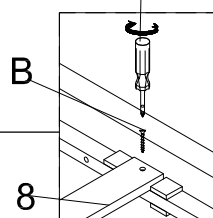
Step 2

Attach the leg (9) to the footboard (5) using bolts and washers (D), and tighten with the Allen key (A).

Headboard

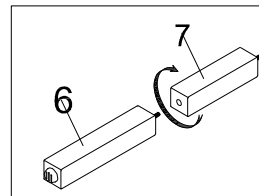


Not provided



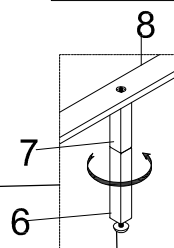
Step 7

Attach slats (8) to the side rails (10) and secure with screws (B).



Step 5

Install the support legs (7) together with the support legs with leveler (6)



Step 6

Install the support legs (7) and the support leg with leveler (6) onto the slats (8). Rotate the leveler until it is securely fitted, and adjust later if needed to balance the bed.

Adjustable Leveler

Version 1 - 20250923

Hardware Pack Location(s) : GINA 2504G-KHBF B UPHOL KING HEADBOARD + FOOTBOARD
 GINA 2514BL-KHBF B UPHOL KING HEADBOARD + FOOTBOARD
 GINA 2524BR-KHBF B UPHOL KING HEADBOARD + FOOTBOARD
 GINA 2544I-KHBF B UPHOL KING HEADBOARD + FOOTBOARD

SKU#32425046
 SKU#32425147
 SKU#32425248
 SKU#32425440

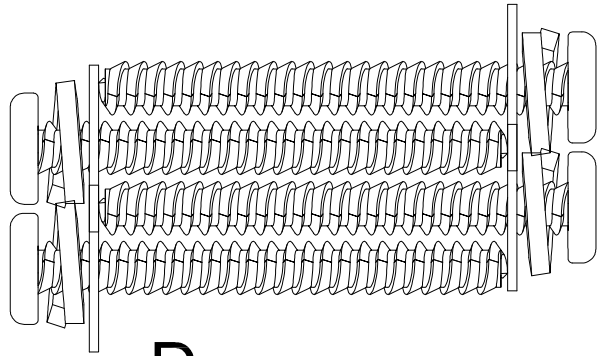
140

Assembly Instructions

GINA	2504G-QHBFB	UPHOL QUEEN HEADBOARD + FOOTBOARD	SKU#32325044
GINA	2504G-KHBFB	UPHOL KING HEADBOARD + FOOTBOARD	SKU#32425046
GINA	2514BL-QHBFB	UPHOL QUEEN HEADBOARD + FOOTBOARD	SKU#32325145
GINA	2514BL-KHBFB	UPHOL KING HEADBOARD + FOOTBOARD	SKU#32425147
GINA	2524BR-QHBFB	UPHOL QUEEN HEADBOARD + FOOTBOARD	SKU#32325246
GINA	2524BR-KHBFB	UPHOL KING HEADBOARD + FOOTBOARD	SKU#32425248
GINA	2544I-QHBFB	UPHOL QUEEN HEADBOARD + FOOTBOARD	SKU#32325448
GINA	2544I-KHBFB	UPHOL KING HEADBOARD + FOOTBOARD	SKU#32425440

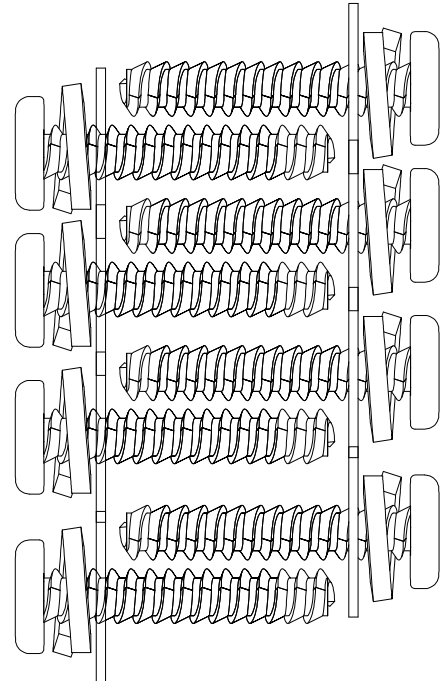
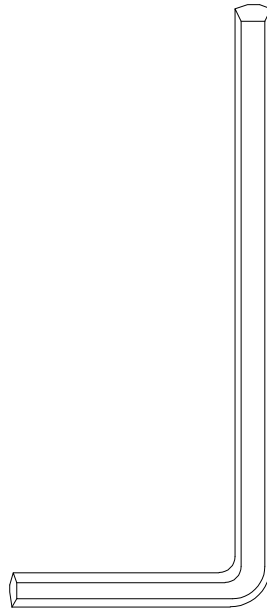
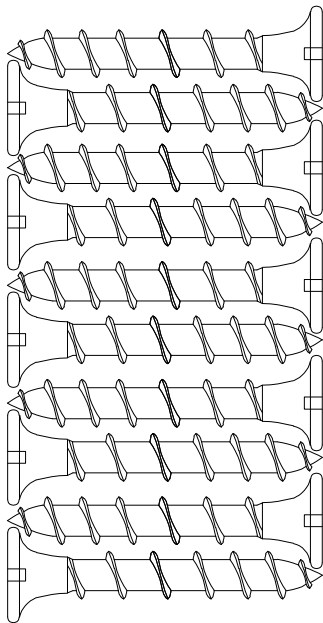
This product is manufactured by GINA for ROOMS TO GO

NO:	HARDWARE LISTS	Q'TY
A	Allen key(4 mmx32 x 75)	1
B	Screw(M4x32 mm)	10
C	Bolt (Ø5/16x18x32mm)	8
	Spring washer (Ø5/16"x13x1.5mm)	
	Flat washer (Ø5/16"x19x2mm)	
D	Bolt (Ø5/16x18x50mm)	4
	Spring washer (Ø5/16"x13x1.5mm)	
	Flat washer (Ø5/16"x19x2mm)	



D Bolt (5/16x18x50mm)= 4pcs

160



B Screw (M4x32mm)=10pcs

A Allen key(4 mmx32 x75)=1pc

C Bolt (5/16x18x32mm)=8pcs

Nền trắng (White background)