



# Assembly Instructions

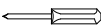
TIMI 2731-13 King Upholstered Headboard SKU: 32427317  
 TIMI 2731-14 King Panel Footboard SKU: 32827315  
 TIMI 2731-12 Queen/King Side Rails SKU: 32927317





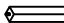

Manufactured by TIMI for Rooms To Go

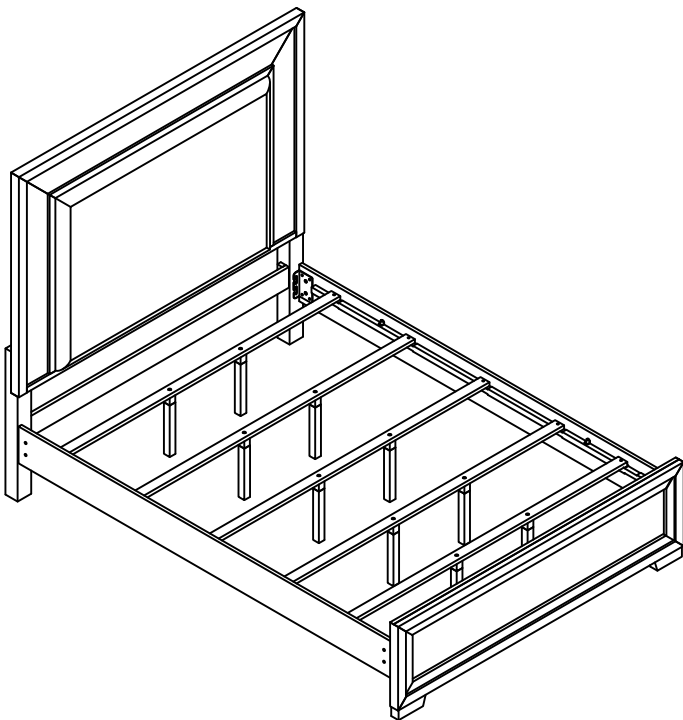
VERSION 1.0 - 2024/03/28

HARDWARE LIST 1					
STEP	NO.	DESCRIPTION		SKETCH	Q'TY
1	A	Allen key	4 mm		1 pc

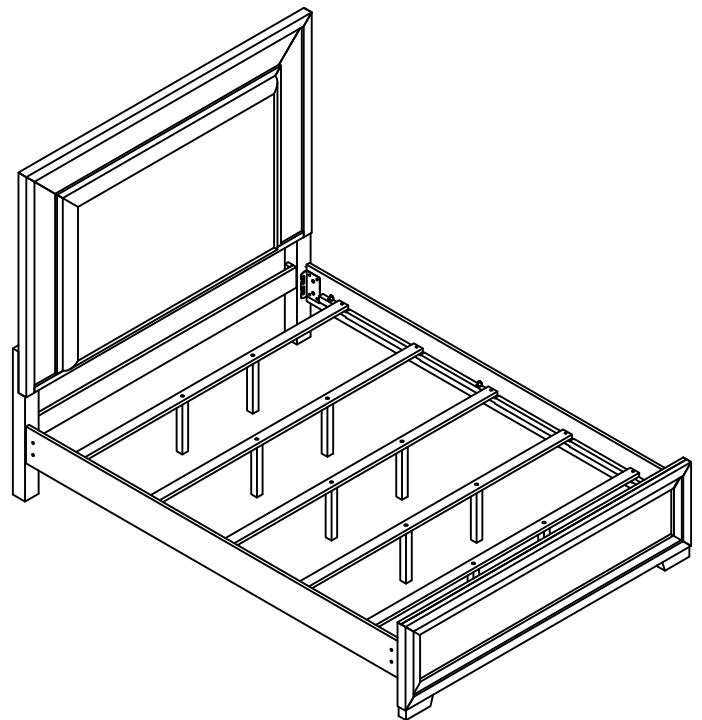
HARDWARE LIST 2					
STEP	NO.	DESCRIPTION		SKETCH	Q'TY
2	B	Screw	#8x1"		10pcs

TOOLS REQUIRED (NOT PROVIDED)	
PHILLIPS SCREWDRIVER	

PART	PICTURE	DESCRIPTION	Q'TY
UPHOLSTERED HEADBOARD PART LIST			
1		Upholstered Headboard	1 pc
SIDE RAILS PART LIST			
2		Side rail	2 pcs
FOOTBOARD PART LIST			
3		Panel Footboard	1 pc
4		Slat	5 pcs
5		Long Support Leg w/ Leveller	10 pcs
6		Short Support Leg	10 pcs



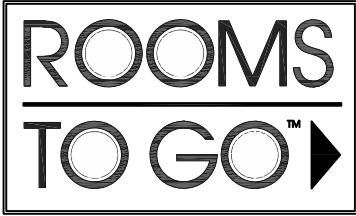
OPTION 1: MATTRESS ONLY



OPTION 2: MATTRESS & BOXSPRING

Hardware Pack Location(s):

Hardware list 1: TIMI 2731-13 King Upholstered Headboard SKU: 32427317  
 Hardware list 2: TIMI 2731-14 King Panel Footboard SKU: 32827315



# Assembly Instructions

TIMI 2731-13 King Upholstered Headboard SKU: 32427317  
TIMI 2731-14 King Panel Footboard SKU: 32827315  
TIMI 2731-12 Queen/King Side Rails SKU: 32927317

Manufactured by TIMI for Rooms To Go

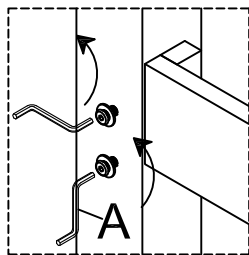
VERSION 1.0 - 2024/03/28

**\*\*\*Caution: Please read all instructions carefully before starting the assembly process. These parts are cumbersome and heavy. Therefore, two people are recommended in order to prevent personal injury and insure the part are not damaged during assembly.**

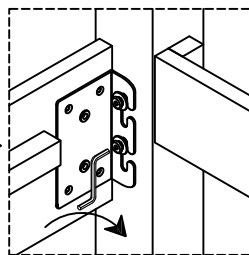
**There are 2 options to assemble this product. Please refer and follow 2 options as below:**

## OPTION 1: MATTRESS ONLY

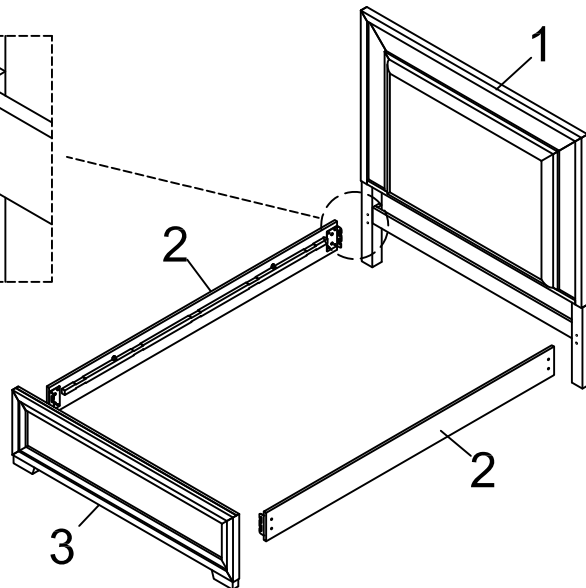
### STEP 1



Loose all the bolts



Secure all the bolts

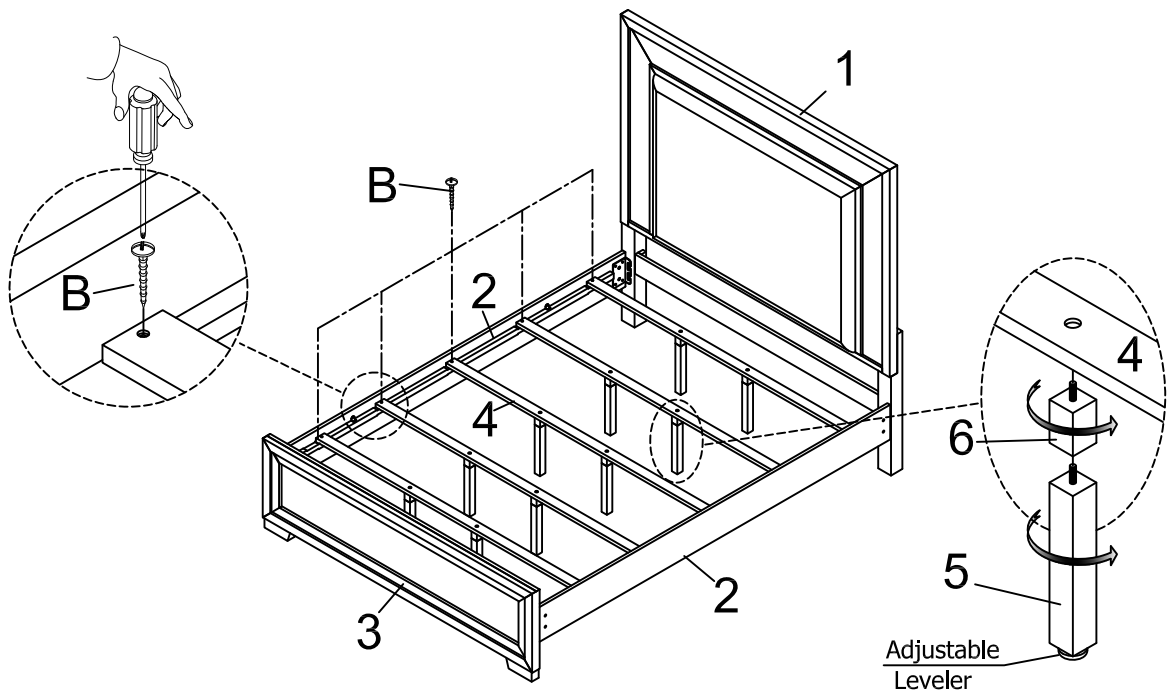


### Remark:

The bolts were pre-assembled on Headboard and Footboard.

Assemble the Side rails (2) to the Headboard (1) and Footboard (3).

### STEP 2

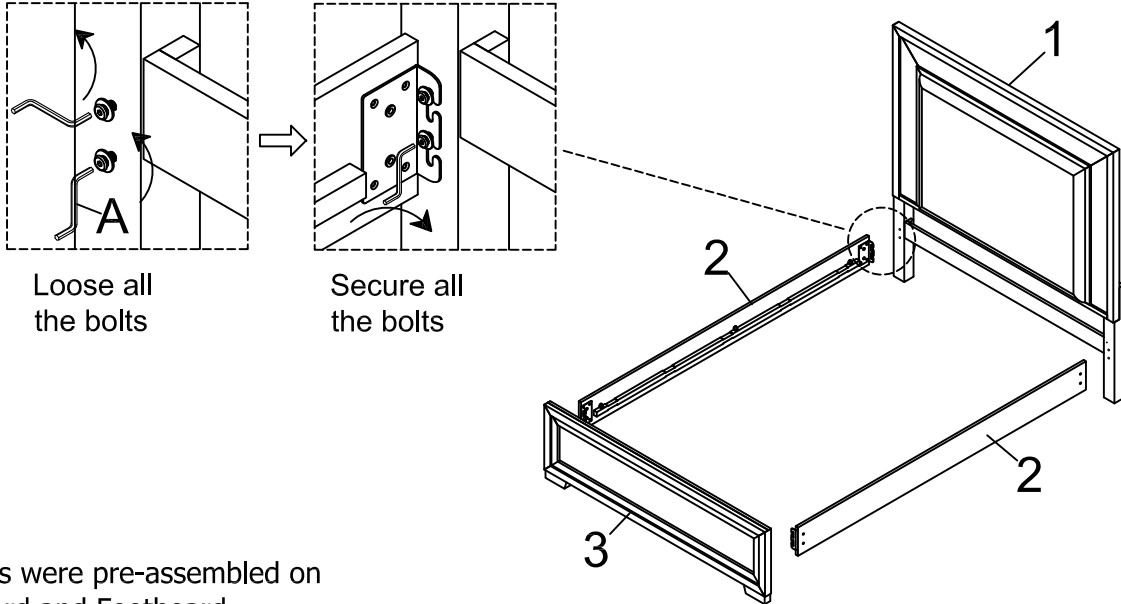


Assemble Support legs (5,6) into Slats (4).

Screw the Slats (4) to the groove on the Side rails (2) cleat.

## OPTION 2: MATTRESS & BOXSPRING

### STEP 1



Loose all the bolts

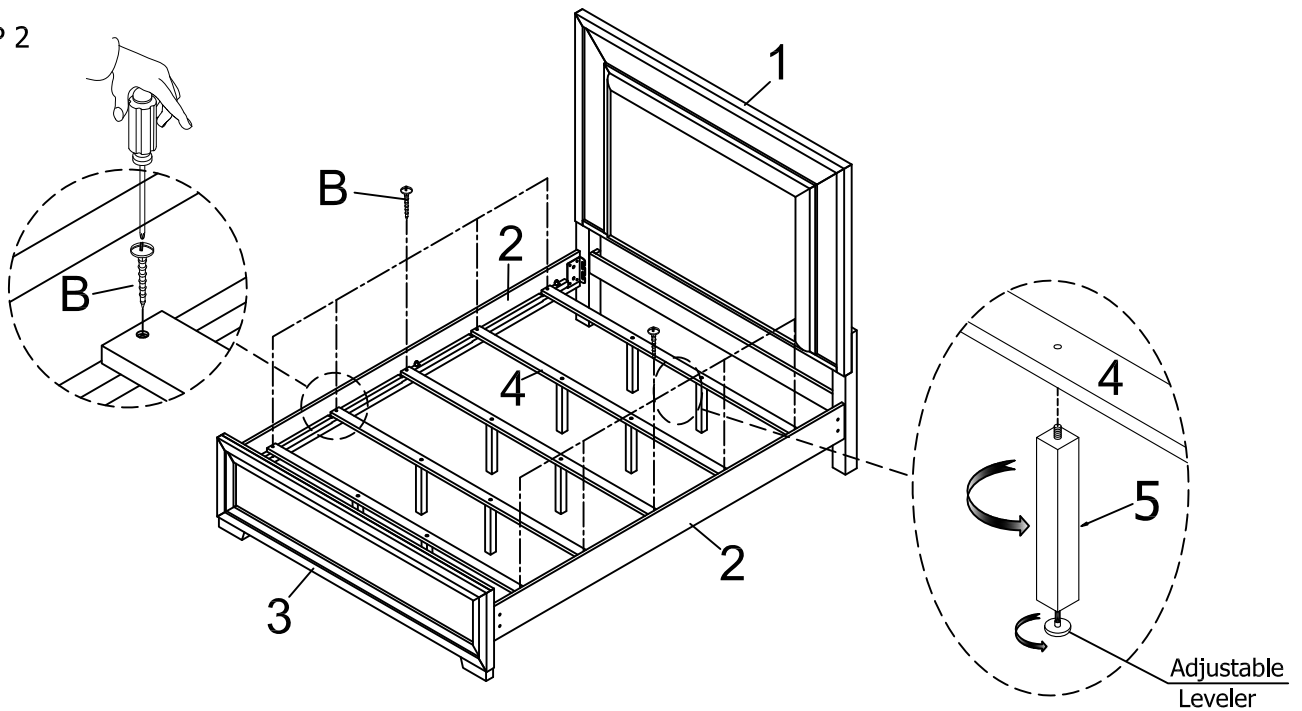
Secure all the bolts

**Remark:**

The bolts were pre-assembled on Headboard and Footboard.

Assemble the Side rails (2) to the Headboard (1) and Footboard (3).

### STEP 2



Assemble Support legs (5) into Slats (4).  
Screw the Slats (4) to the groove on the Side rails (2) cleat.