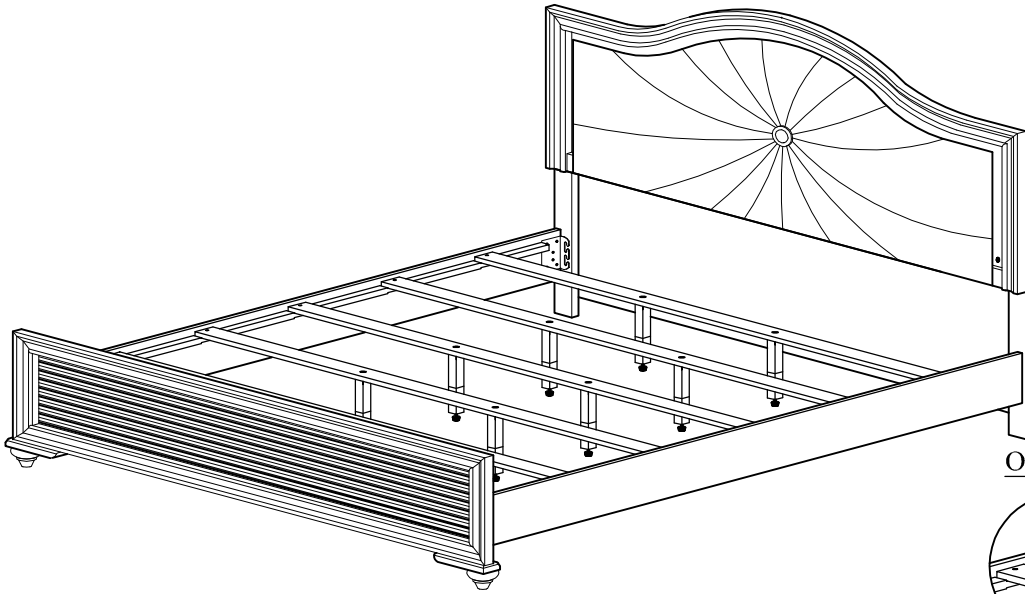
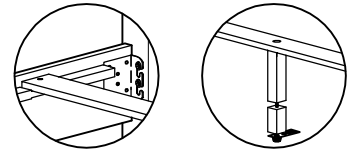


EVANGELINE

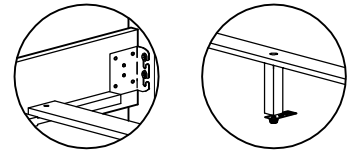
KING BED



OPTION 1



OPTION 2



KING BED - SILVER		
RTG SKU #	STYLE #	ITEM DESCRIPTION
32427444	2744-660	HEADBOARD , FOOTBOARD AND SLATS
32927444	2744-550	SIDE RAIL

KING BED PART LIST			
	ITEM DESCRIPTION	IMAGE	QTY
A	HEADBOARD		1
B	HEADBOARD LEG		2
C	FOOTBOARD		1
D	BUN FOOT		2
E	SLATS		5
F	SLATS SUPPORT		10
G	CROSS BAR		1

SIDE RAIL PART LIST			
	ITEM DESCRIPTION	IMAGE	QTY
H	SIDE RAIL		2

DO NOT USE SUBSTITUTE PARTS. PLEASE CONTACT YOUR RETAIL STORE OR WWW.ROOMSTOGO.COM WITH SERVICE OR PARTS REPLACEMENT REQUEST





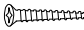


This product is manufactured by (HILB) for **ROOMS TO GO**

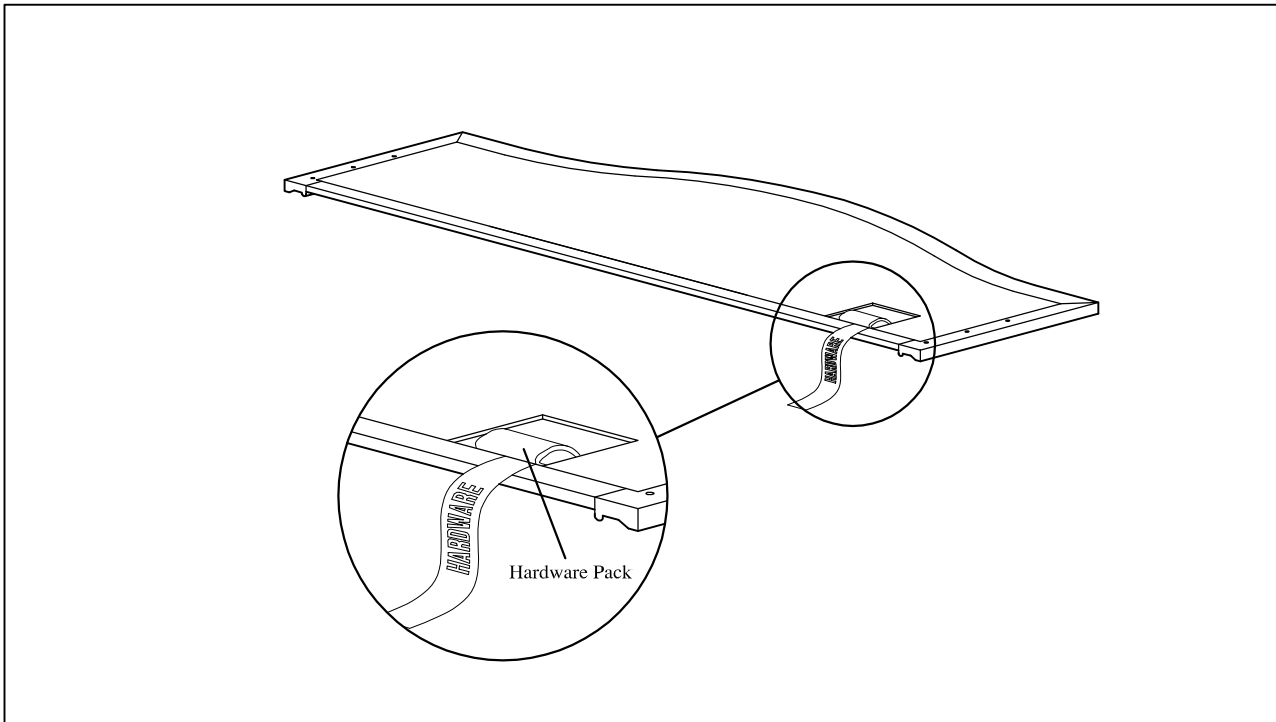
Version #1 - 2022/04/28

1 of 7

EVANGELINE

KING BED

HARDWARE LISTS			
	ITEM DESCRIPTION	IMAGE	QTY
1	Allen Wrench M4 x 58mm		1
2	JCBB Bolt M8 x P1.25 x 35mm		6
	SPRING WASHER M8 x 14mm		
	FLAT WASHER M8 x 18mm		
3	JCBC Bolt M6 x P1.0 x 35mm		2
	SPRING WASHER M6 x 11mm		
	FLAT WASHER M6 x 13mm		
4	JCBC Bolt M6 x P1.0 x 35mm		10
	SPRING WASHER M6 x 11mm		
5	SCREW M3.5 x 32mm		10
6	AC/DC ADAPTOR		1
7	PHILIPS HEAD SCREWDRIVER (not included)		1



DO NOT USE SUBSTITUTE PARTS. PLEASE CONTACT YOUR RETAIL STORE OR WWW.ROOMSTOGO.COM
WITH SERVICE OR PARTS REPLACEMENT REQUEST

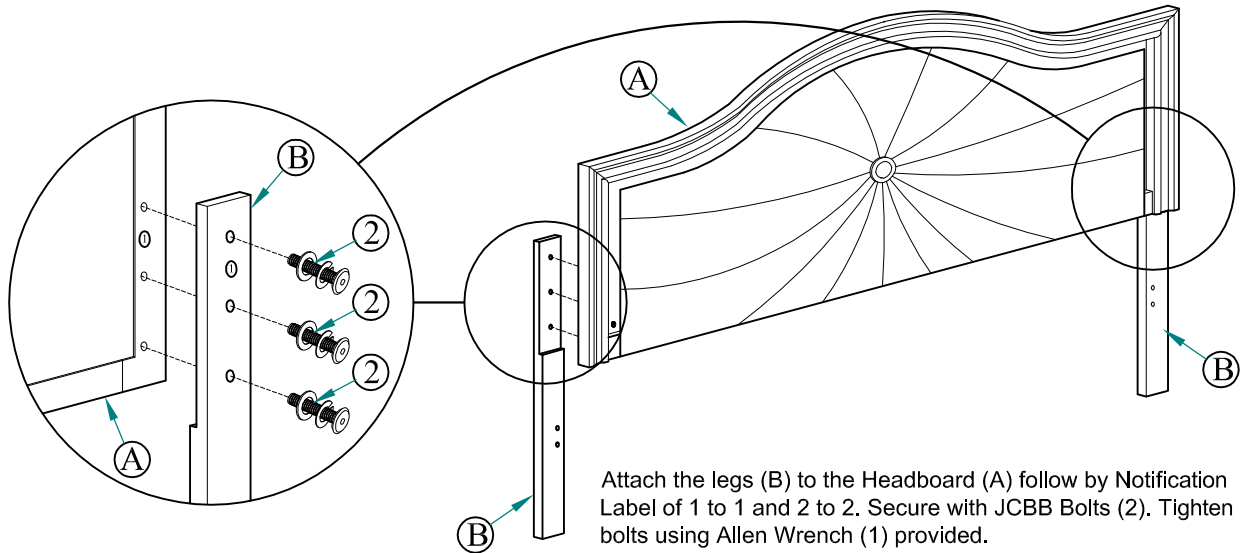
This product is manufactured by (HILB) for **ROOMS TO GO**

Version #1 - 2022/04/28

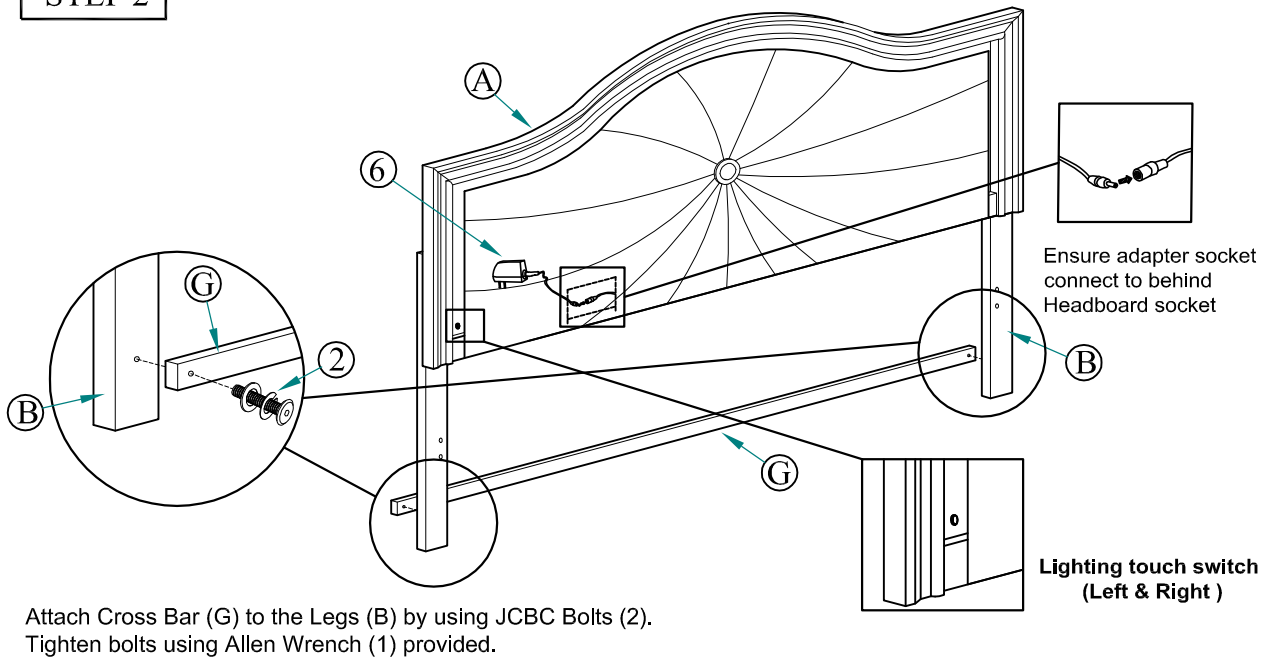
Thank you for purchasing this quality product. Be sure to check all packing material carefully for small parts which may have come loose inside the carton during shipment. Identify and count all parts and compare with the parts list below. Read all instructions before assembling bed and keep these instructions for future reference.

Assembly Instructions:

STEP 1



STEP 2

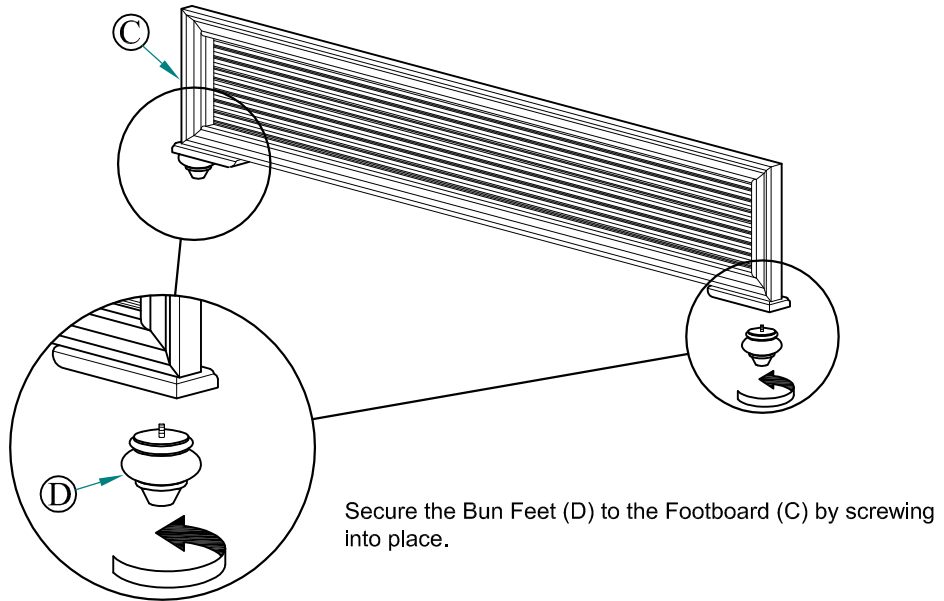


DO NOT USE SUBSTITUTE PARTS. PLEASE CONTACT YOUR RETAIL STORE OR WWW.ROOMSTOGO.COM WITH SERVICE OR PARTS REPLACEMENT REQUEST

Thank you for purchasing this quality product. Be sure to check all packing material carefully for small parts which may have come loose inside the carton during shipment. Identify and count all parts and compare with the parts list below. Read all instructions before assembling bed and keep these instructions for future reference.

Assembly Instructions:

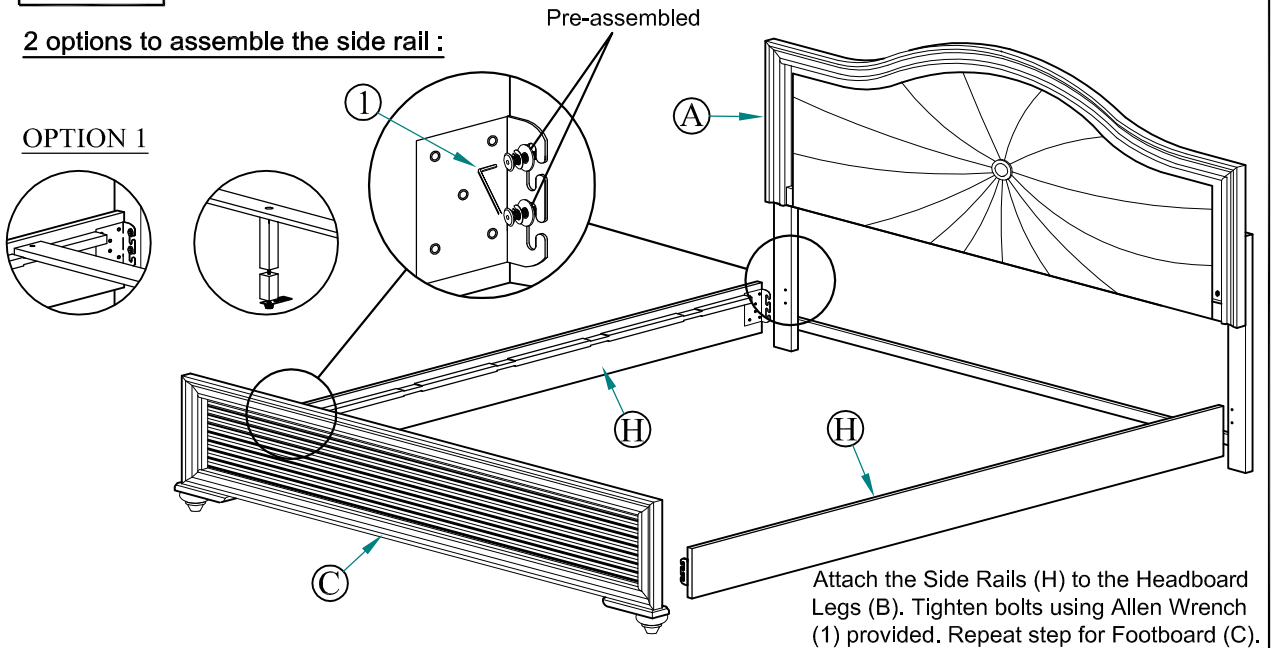
STEP 3



STEP 4

2 options to assemble the side rail :

OPTION 1



DO NOT USE SUBSTITUTE PARTS. PLEASE CONTACT YOUR RETAIL STORE OR WWW.ROOMSTOGO.COM WITH SERVICE OR PARTS REPLACEMENT REQUEST

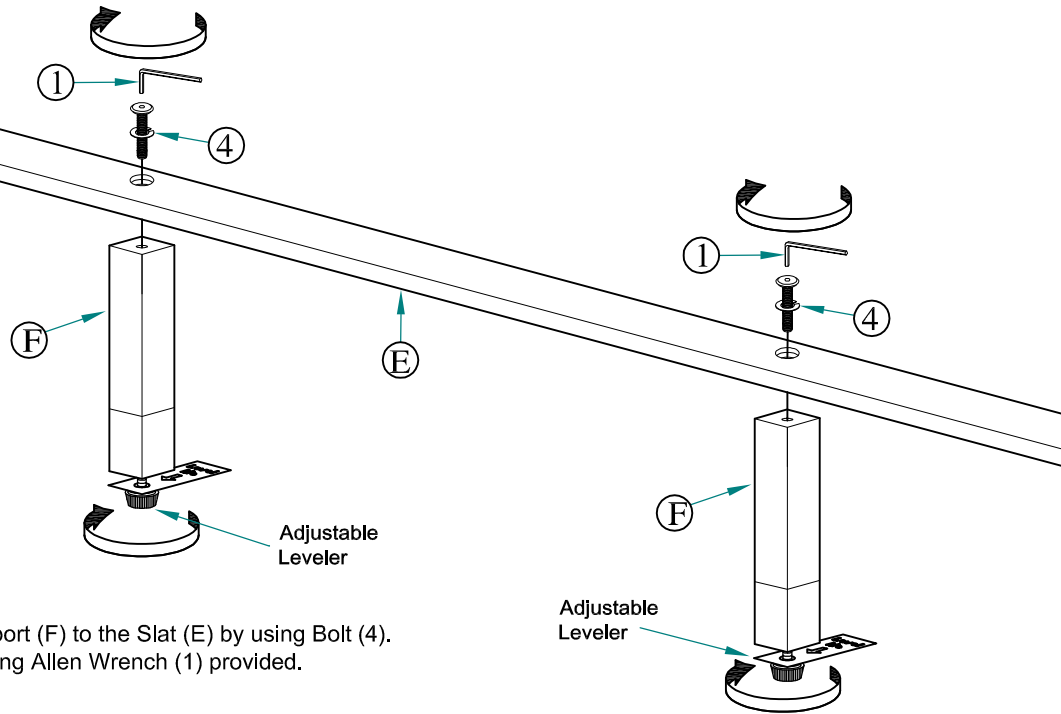
This product is manufactured by (HILB) for **ROOMS TO GO**

Version #1 - 2022/04/28

Thank you for purchasing this quality product. Be sure to check all packing material carefully for small parts which may have come loose inside the carton during shipment. Identify and count all parts and compare with the parts list below. Read all instructions before assembling bed and keep these instructions for future reference.

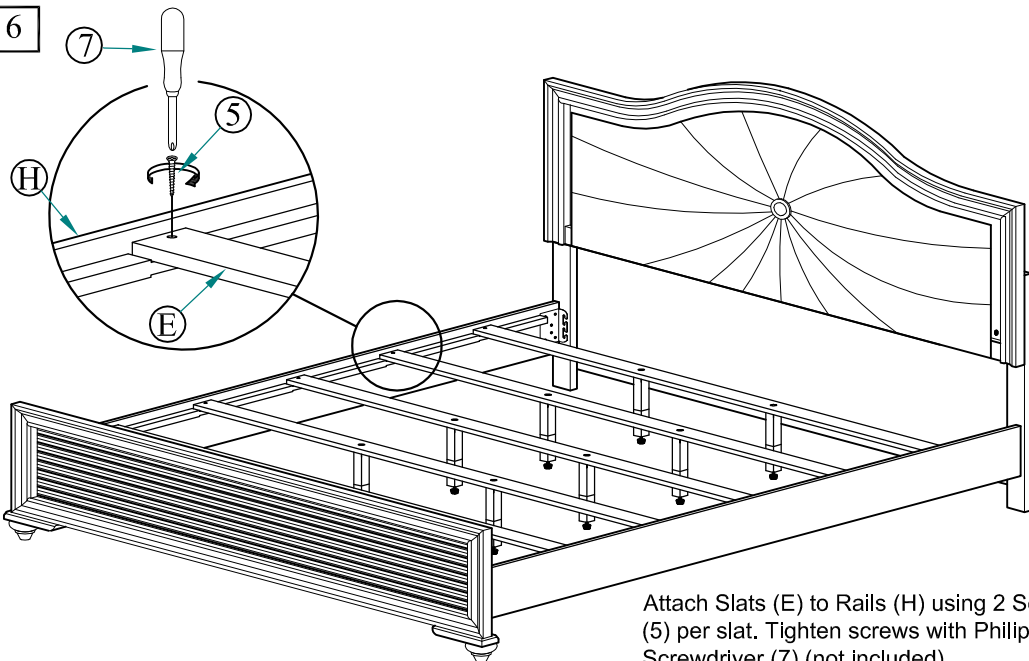
Assembly Instructions:

STEP 5



Attach Slat Support (F) to the Slat (E) by using Bolt (4). Tighten bolts using Allen Wrench (1) provided.

STEP 6



Attach Slats (E) to Rails (H) using 2 Screws (5) per slat. Tighten screws with Phillips Head Screwdriver (7) (not included).

DO NOT USE SUBSTITUTE PARTS. PLEASE CONTACT YOUR RETAIL STORE OR WWW.ROOMSTOGO.COM WITH SERVICE OR PARTS REPLACEMENT REQUEST

This product is manufactured by (HILB) for **ROOMS TO GO**

Version #1 - 2022/04/28

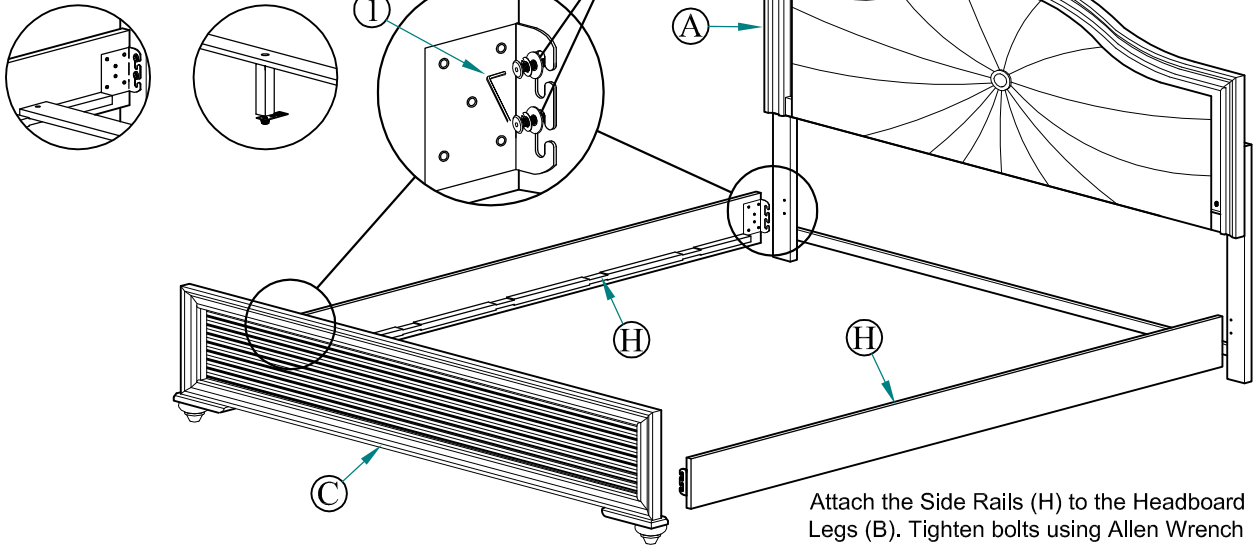
5 of 7

Thank you for purchasing this quality product. Be sure to check all packing material carefully for small parts which may have come loose inside the carton during shipment. Identify and count all parts and compare with the parts list below. Read all instructions before assembling bed and keep these instructions for future reference.

Assembly Instructions:

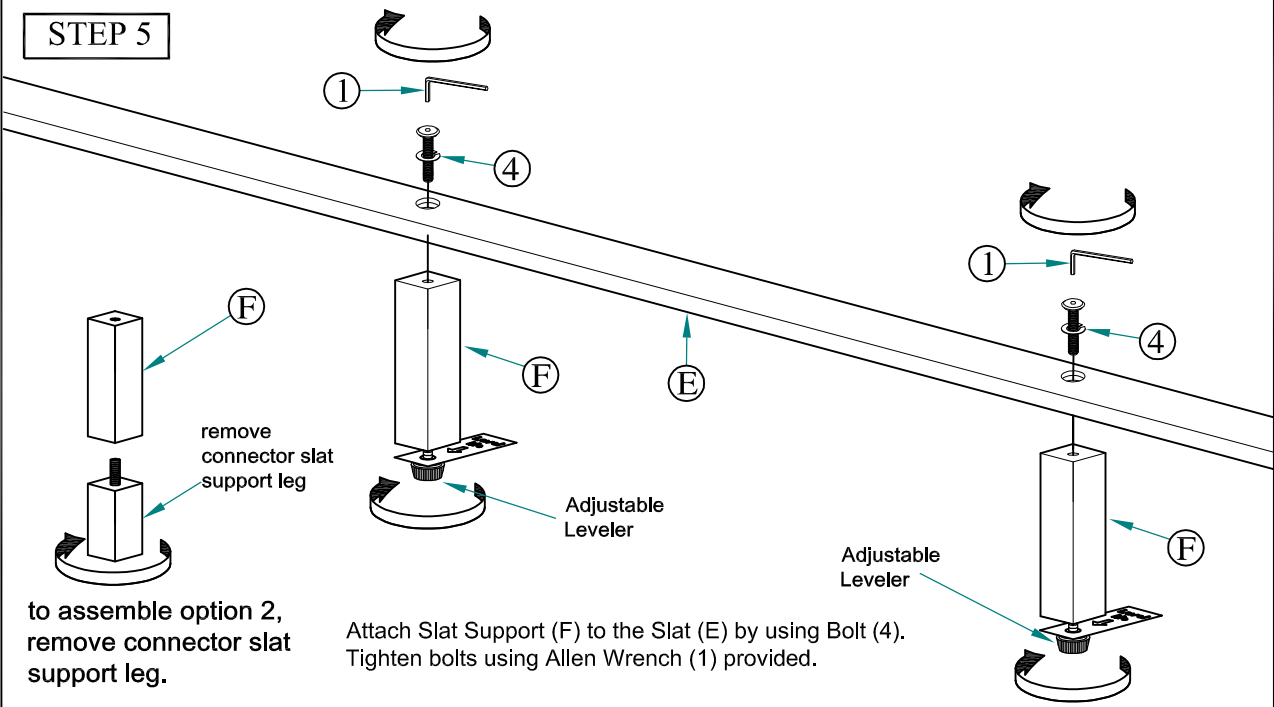
STEP 4

OPTION 2



Attach the Side Rails (H) to the Headboard Legs (B). Tighten bolts using Allen Wrench (1) provided. Repeat step for Footboard (C).

STEP 5



Attach Slat Support (F) to the Slat (E) by using Bolt (4). Tighten bolts using Allen Wrench (1) provided.

to assemble option 2, remove connector slat support leg.

DO NOT USE SUBSTITUTE PARTS. PLEASE CONTACT YOUR RETAIL STORE OR WWW.ROOMSTOGO.COM WITH SERVICE OR PARTS REPLACEMENT REQUEST

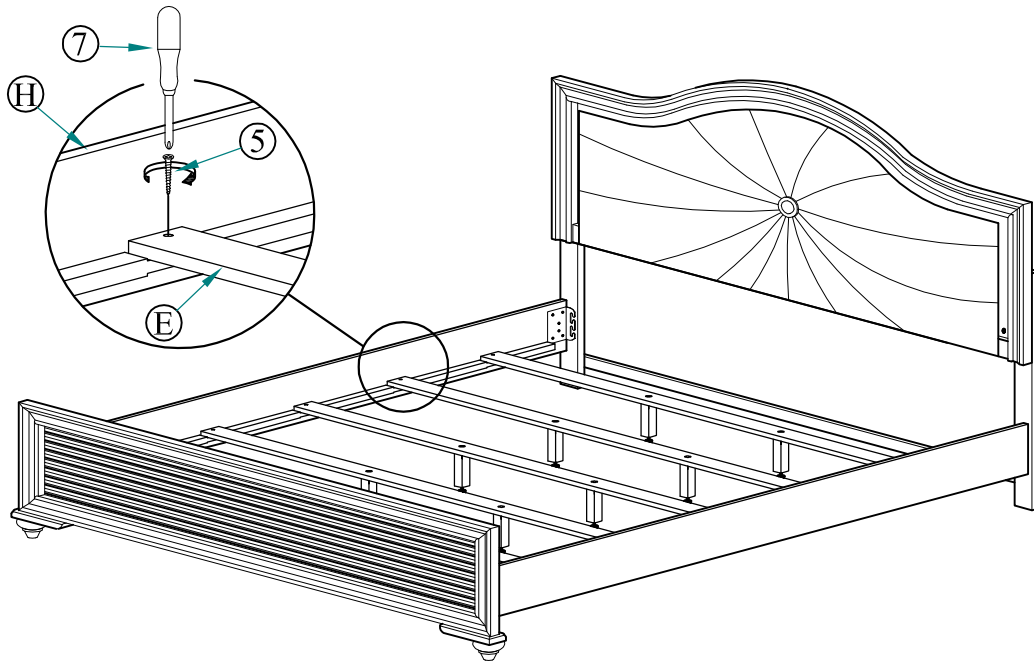
This product is manufactured by (HILB) for **ROOMS TO GO**

Version #1 - 2022/04/28

Thank you for purchasing this quality product. Be sure to check all packing material carefully for small parts which may have come loose inside the carton during shipment. Identify and count all parts and compare with the parts list below. Read all instructions before assembling bed and keep these instructions for future reference.

Assembly Instructions:

STEP 6



Attach Slats (E) to Rails (H) using 2 Screws (5) per slat. Tighten screws with Philips Head Screwdriver (7) (not included).

DO NOT USE SUBSTITUTE PARTS. PLEASE CONTACT YOUR RETAIL STORE OR WWW.ROOMSTOGO.COM WITH SERVICE OR PARTS REPLACEMENT REQUEST

This product is manufactured by (HILB) for **ROOMS TO GO**
Version #1 - 2022/04/28

Wooden Furniture Care

Protect Your Investment

The beauty of furniture care is that it helps to protect your investment. Fine furniture is an important purchase. Proper care will help maintain your furniture's finish and ensure that it looks great year after year.

Caring For Furniture

Caring for furniture is easy. Following a few simple guidelines will help extend the life of your furniture.

*Always dust with a polish moistened cloth. Polish cushions the cloth, eliminating the scratching that occurs with dry dusting. Dust will scratch the furniture surface if not removed quickly. Use a soft, clean cloth that won't scratch the surface. Avoid coarse or scratchy materials or fabrics.

*Avoid using soap and water on furniture. Water can penetrate the finish and raise the grain on wood, causing damage.

The Enemies of Furniture

Many common problems in furniture care are caused by the elements. If you are aware of these troublemakers, the resulting damage can easily be avoided.

*Sunlight's ultraviolet rays can damage wood finishes. Arrange furniture out of direct sunlight, use sun screening drapes during intense sunlight hour, rotate furniture in place and in room arrangements.

*Liquid spills will damage furniture if not removed promptly. Use coasters under beverage glasses saucers under cups and flowerpots. If a spill occurs, immediately blot it gently without rubbing the surface.

*Heat creates a chemical change in the furniture finish. Which can result in a white spot. Use protective pads under hot dishes, utensils or cooking appliances.

*Cyclic changes in temperature can damage furniture. I-lot blasts of air such as those found from central heating should be avoided because they cause extreme localized drying of the wood.

Tips for Better Dusting

*Be sure in use the same type of polish consistently. Your furniture will appear cloudy or streaky if oil-based and wax-based polishes are interchanged.

*Always use a fine furniture polish when dusting. Never dry dust, as it could cause microscopic scratches on your furniture surface. Remember to change dusting clothes frequently since a dirty cloth may scratch your furniture's surface.

*Spray your furniture surface evenly, but not too generously. Wipe in a circular motion with a soft, clean cloth to clean and loosen the old polish.

*Then, buff until completely dry for a beautiful shine and a smudge-resistant finish. For wood trim, spray polish on the cloth first, and then dust.

WARNING

Misuse can result in **FIRE** or **DEATH** by **ELECTRICAL SHOCK**

[ELECTRICAL RATING 12VDC / 1.5A / 18W PLUG]
[DONGGUAN BAI YOU ELECTRONIC CO. LTD.]
[MODEL BAYU - 1201500]

Read all instructions before using this furnishing.

DANGER - To reduce the risk of electric shock:

1. Always unplug this furnishing from the electrical outlet before cleaning or servicing.

WARNING - To reduce the risk of burns, fire, electric shock, or injury to persons:

1. Unplug from outlet before putting on or taking off parts.
2. Never operate this furnishing if it has a damaged electrical cord or plug, if it is not working properly, or if the electrical cord or plug has been damaged or dropped into water. Stop using this furnishing and call a service center for examination and repair.
3. Keep the electrical cord and plug away from heated surfaces and other heat sources.
4. To disconnect, turn all controls to the off position, then remove plug from outlet.
5. When operating, ensure that electrical cord is not under the base, legs, or motion mechanism to avoid damage to electrical cord or plug.
6. Do not strain or stretch electrical cord.
7. Do not use extension cords or power strips.
8. Keep out of reach of children. This is not a toy.
9. Plug directly into a compatible electrical socket.
10. Do not modify the plug or use any adapters.

WARNING

El mal uso puede provocar **INCENDIO** o **MUERTE** por **DESCARGA ELÉCTRICA**

[CLASIFICACION ELECTTRICA 12VDC / 1.5A / 18W PLUG]
[DONGGUAN BAI YOU ELECTRONIC CO. LTD.]
[MODEL BAYU - 1201500]

Leer todas las instrucciones antes de usar este mobiliario.

PELIGRO - Para reducir el riesgo de descarga eléctrica:

1. Siempre desenchufe este accesorio de la toma de corriente eléctrica antes de limpiarlo o repararlo.

ADVERTENCIA: para reducir el riesgo de quemaduras, incendios, descargas eléctricas o lesiones a personas:

1. Desenchufe del tomacorriente antes de colocar o quitar partes.
2. Nunca opere este accesorio si tiene un cable o enchufe eléctrico dañado, si no funciona correctamente, o si el cable o el enchufe eléctrico se ha dañado o se ha caído al agua. Deje de usar este equipamiento y llame a un centro de servicio para que lo examinen y lo reparen.
3. Mantenga el cable eléctrico y el enchufe lejos de superficies calientes y otras fuentes de calor.
4. Para desconectar, gire todos los controles a la posición de apagado, luego retire el enchufe del tomacorriente.
5. Al operar, asegúrese de que el cable eléctrico no esté debajo de la base, las patas o el mecanismo de movimiento para evitar dañar el cable eléctrico o el enchufe.
6. No fuerce ni estire el cable eléctrico.
7. No utilizar cables de extensión o tomas de corriente.
8. Mantener fuera del alcance de los niños. Esto no es un juguete
9. Enchúfelo directamente a una toma de corriente compatible.
10. No modifique el enchufe ni utilice adaptadores.