



Assembly Instruction

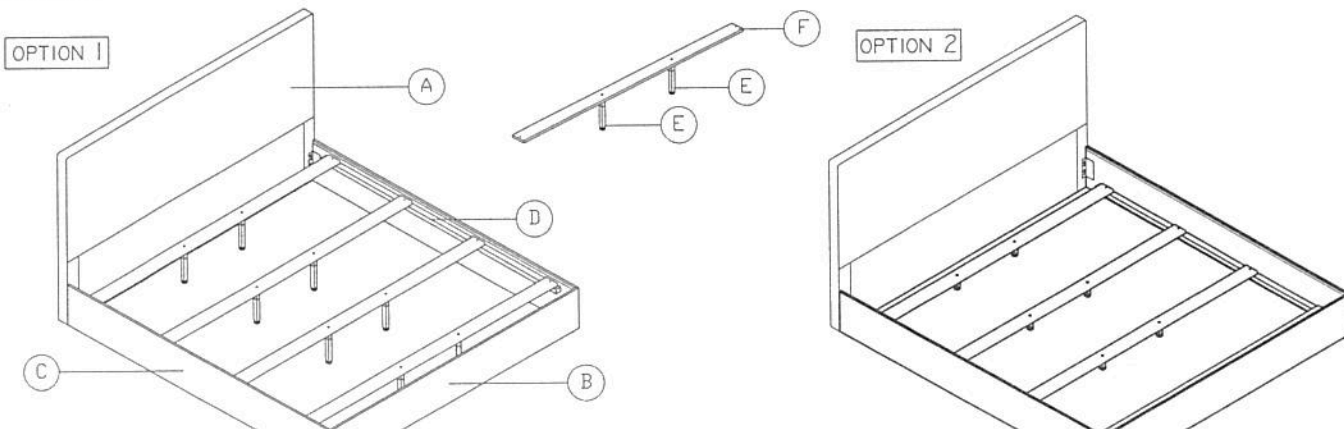
KING
 BSSB (GRAY/SAND/BLUE)
 2845-2 / 2846-2 / 2847-2 HB+FB+LEG+SLAT+CSL : SKU # 32428458 / 32428458 / 32428472
 2845-4 / 2846-4 / 2847-4 HB+FB+LEG+SLAT+CSL : SKU # 33428459 / 33428461 / 33428473
 2845-4 / 2846-4 / 2847-4 SR : SKU # 32928458 / 32928460 / 33428473

Thank you for purchasing this quality product. Be sure to check all packing material carefully for small parts, which may have come loose inside the carton during shipment. Identify and count all parts and compare with the Hardware List as below:

Hardware List:				
No.	Picture	Description	Dimension	QTY
①		Machine Screw (Bolt)	M8x P1.25x 16mm	8
②		Screw Driver	-	1
③		CSK Screw	#8 x 25mm	8

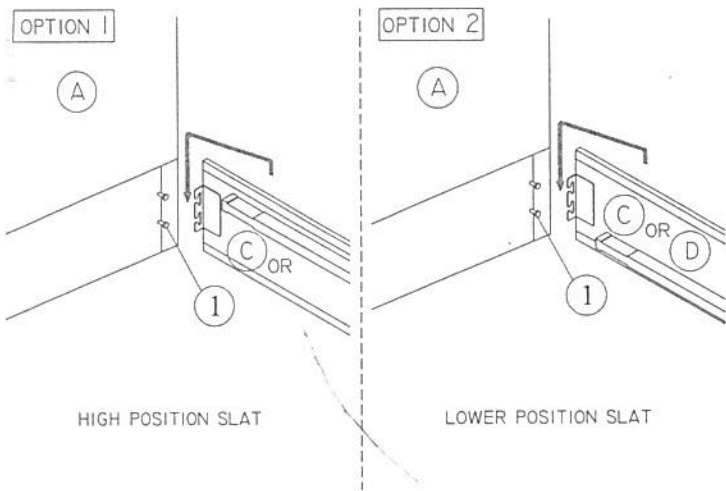
Parts List:							
No.	Picture	Description	QTY	No.	Picture	Description	QTY
Ⓐ		Headboard	1	Ⓓ		Side Rail (Right)	1
Ⓑ		Footboard	1	Ⓔ		Center Support Leg	8
Ⓒ		Side Rail (Left)	1	Ⓕ		Flat Slat	4

Warning!!
 This product contains small parts and packaging that should be kept away and out of reach from all children.



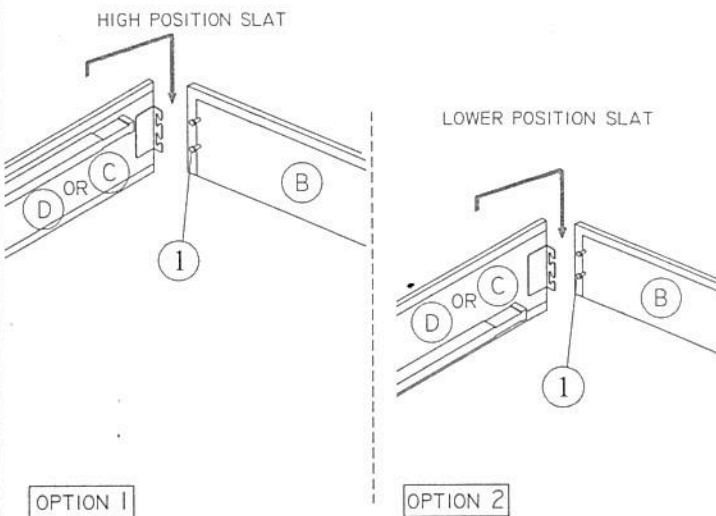
STEP 1 - ATTACHING SIDE RAIL TO HEADBOARD

CHOOSE BETWEEN HIGH OR LOWER SLAT POSITION BEFORE ATTACH THE SIDE RAIL. LOOSEN THE BOLTS. HOOK SIDE RAIL BRACKET OVER BOLTS (1) AND SCREW BOLTS TIGHTLY IN WITH THE SCREWDRIVER (2) PROVIDED.



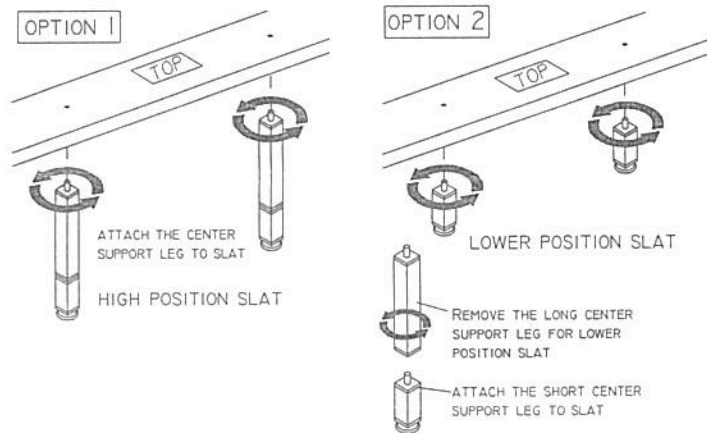
STEP 2 - ATTACHING SIDE RAIL TO FOOTBOARD

LOOSEN THE BOLTS. HOOK SIDE RAIL BRACKET OVER BOLTS (1) AND SCREW BOLTS TIGHTLY IN WITH THE SCREWDRIVER (2) PROVIDED.



STEP 3 - ATTACHING CENTER SUPPORT LEG TO THE SLAT

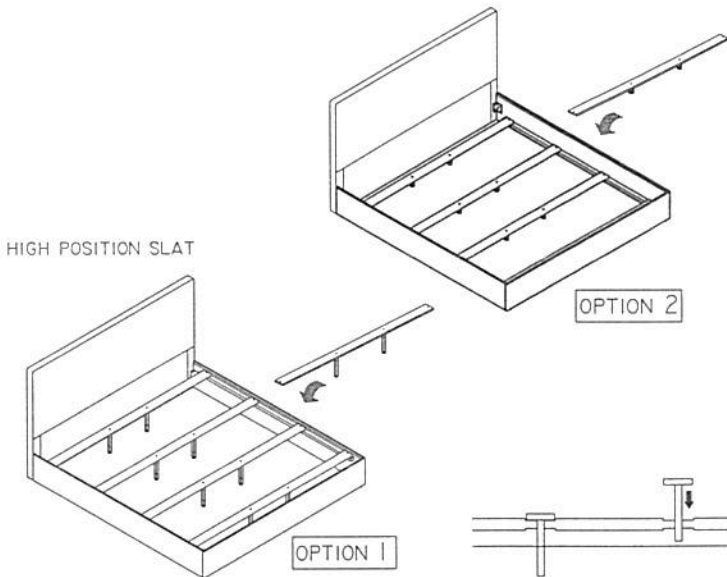
TIGHTEN IN THE CENTER SUPPORT LEG TO THE INSERT NUT HOLE AT THE SLAT. FOR LOWER POSITION SLAT, REMOVE THE LONG CENTER SUPPORT LEG AND ATTACH THE SHORT CENTER SUPPORT LEG TO INSERT NUT HOLE AT SLAT.



*NOTE: THE THRU HOLE CAN BE FOUND AT THE MIDDLE OF THE SLAT.

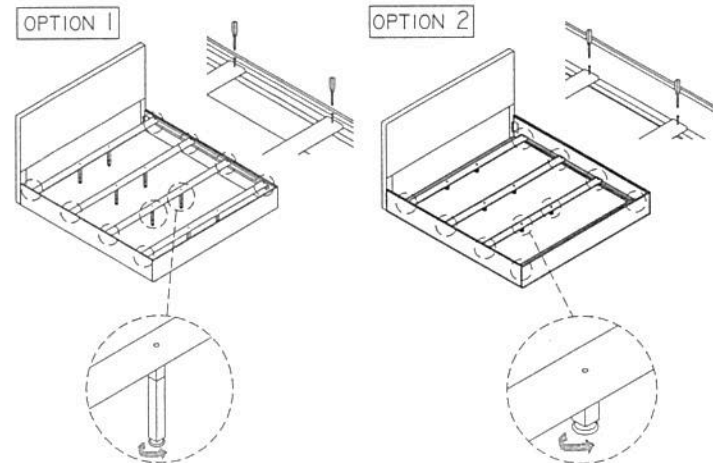
STEP 4 - ATTACHING SLAT TO THE BED

ATTACH THE SLAT (F) TO THE PLACE ARE READY AS SHOWN.



STEP 5 - ATTACHING CSK SCREW TO THE SLATS

FIX THE SLATS WITH CSK SCREW (3) USING SCREWDRIVER (2) PROVIDED. THEN LEVEL THE LEG TO THE FLOOR.



STEP 5 - FINAL TOUCH

