



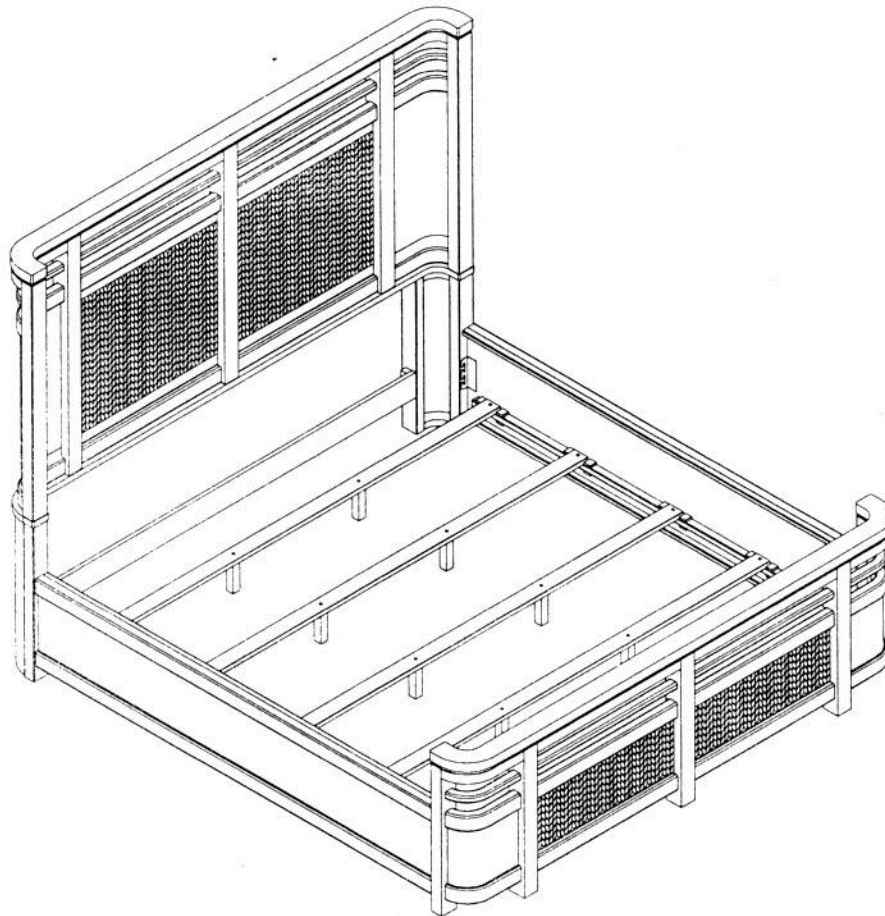
## Assembly Instruction

HMIS 3309-35 King Shelter Footboard & Slats  
 HMIS 3309-24 King Shelter Headboard  
 HMIS 3309-23 Q/K Reversible Rails

SKU # 32833091  
 32433093  
 32933093

Code	PARTS LIST:		
A	Abica Wing Headboard		1Pc
B	Left headboard Leg		1Pc
C	Right headboard Leg		1Pc
D	Safety Rail		1Pc
E	Abica Wing Footboard		1Pc
F	Side Rails		2Pcs
G	Slats		4Pcs
H	Center leg 1		8Pcs
I	Center leg 2		8Pcs

Step	Code	Hardware List		
1-2	J	Allen Bolt - Ø5/16x18x45mm		8Pcs
		Flat washer - Ø5/16x19x1.5mm		8Pcs
		Lock washer - Ø5/16		8Pcs
1-2-3	K	Allen Key - 5mm		1Pc
5-6	L	Allen Key - 4mm		1Pc
4	M	Wood screw #8x38mm		8Pcs



Hardware Pack Location(S): Bolts pack at back of Headboard Bed / Foodboard Bed /  
 Screws pack at back of Foodboard Bed.  
 6/6 Abica Wing Bed Headboard Bed / Foodboard Bed  
 SKU # 32433093/ 32833091

MADE IN VIETNAM

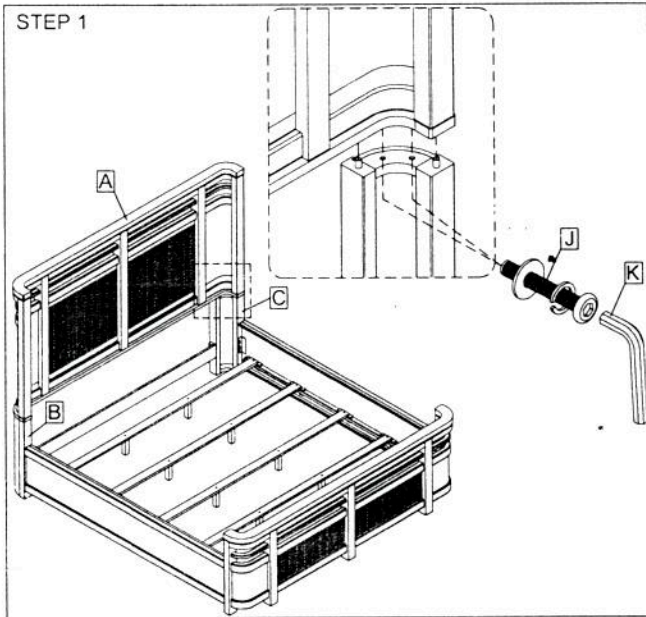


# Assembly Instruction

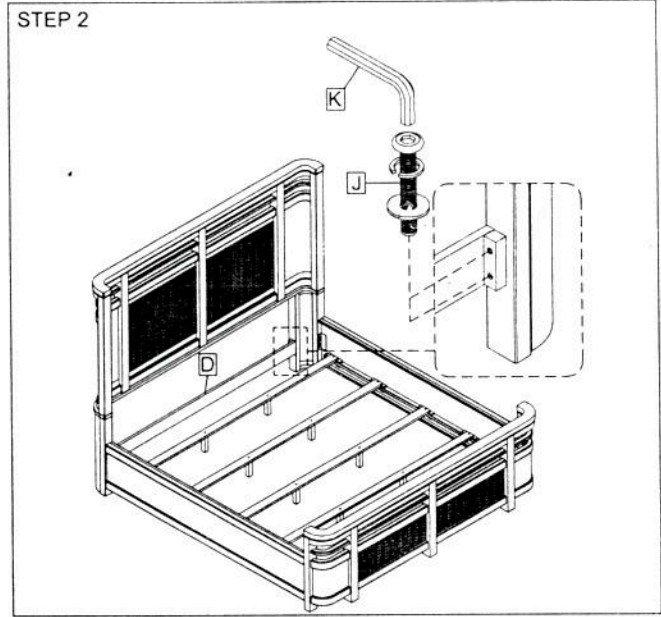
HMIS 3309-35 King Shelter Footboard & Slats  
 HMIS 3309-24 King Shelter Headboard  
 HMIS 3309-23 Q/K Reversible Rails

SKU # 32833091  
 32433093  
 32933093

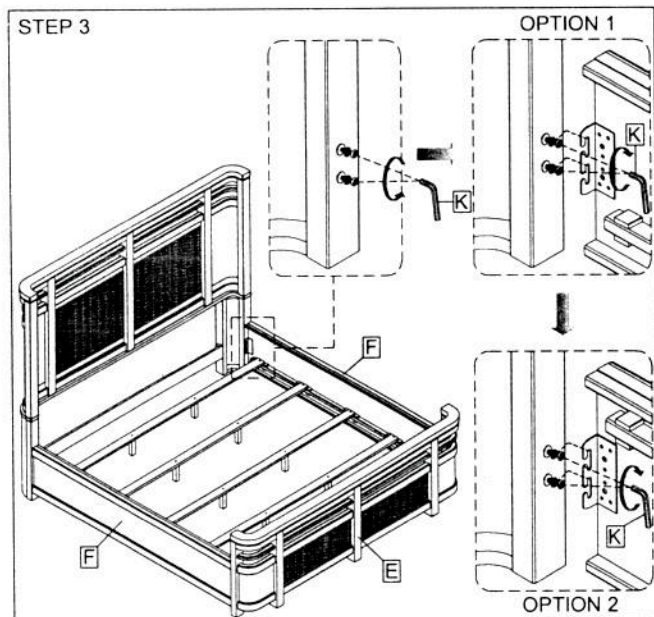
\*\*\*Caution: Please read all instructions carefully before starting the assembly process. These parts are cumbersome and heavy. Therefore, two people are recommended in order to prevent personal injury and insure the parts are not damaged during the assembly



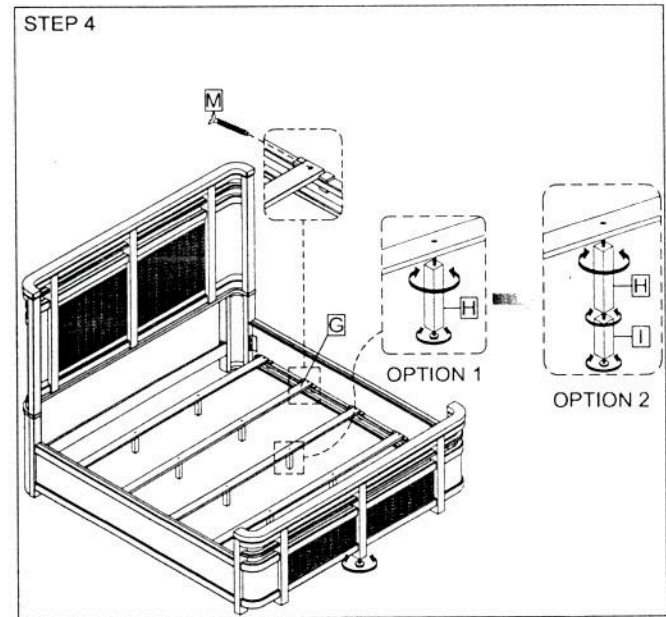
Assembly the legs with the HB.  
 Note: left leg to left side HB, Right leg to right side HB Do not tighten all bolts until HB is fully assembly.



Assembly Safety rail with HB legs.  
 Do not tighten all bolts until HB is fully assembly.



Assemble the side rails to the HB and FB.  
 Note: There are two options: Side rail cleats can be up and down.



Assemble the support leg to slats, Screw the slats to the side rail cleats  
 Note: if the side rail cleats are up, use 2 pcs of support legs, if the side rail cleats are down, use long pcs of support legs onl.



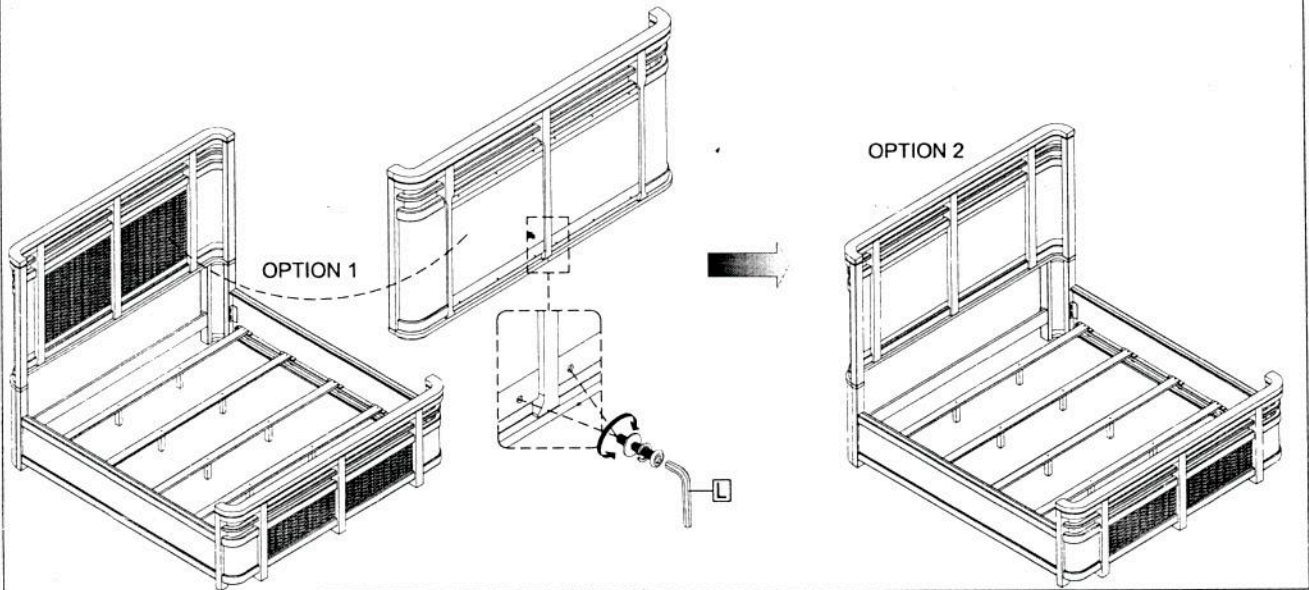
# Assembly Instruction

HMIS 3309-35 King Shelter Footboard & Slats  
HMIS 3309-24 King Shelter Headboard  
HMIS 3309-23 Q/K Reversible Rails

SKU # 32833091  
32433093  
32933093

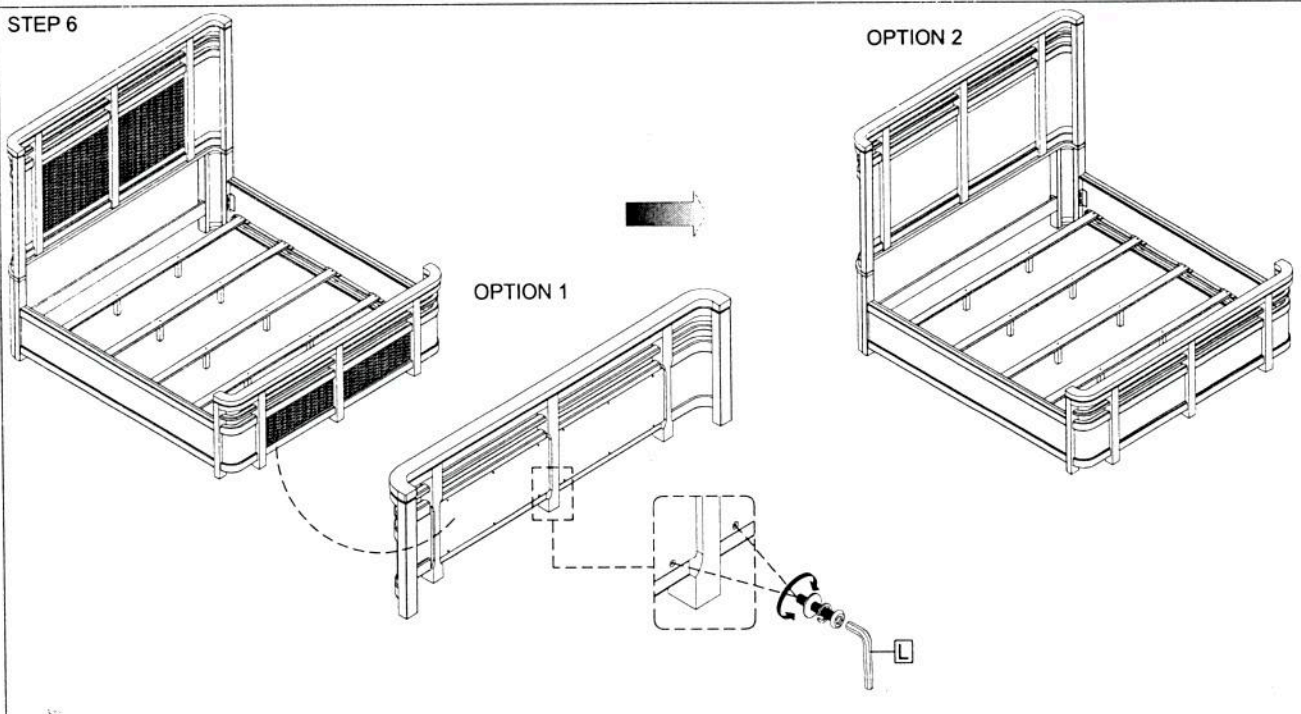
\*\*\*Caution: Please read all instructions carefully before starting the assembly process. These parts are cumbersome and heavy. Therefore, two people are recommended in order to prevent personal injury and insure the parts are not damaged during the assembly

## STEP 5



User can select the front face is hyacinth or board.

## STEP 6



User can select the front face is hyacinth or board.