




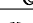




## ASSEMBLY INSTRUCTIONS

ALAM 3677-4 : KG POSTER HDB # SKU 32436772  
 ALAM 3677-8 : KG POSTER FTB # SKU 32836770  
 ALAM 3677-9 : QK RVS RAILS # SKU 32936772

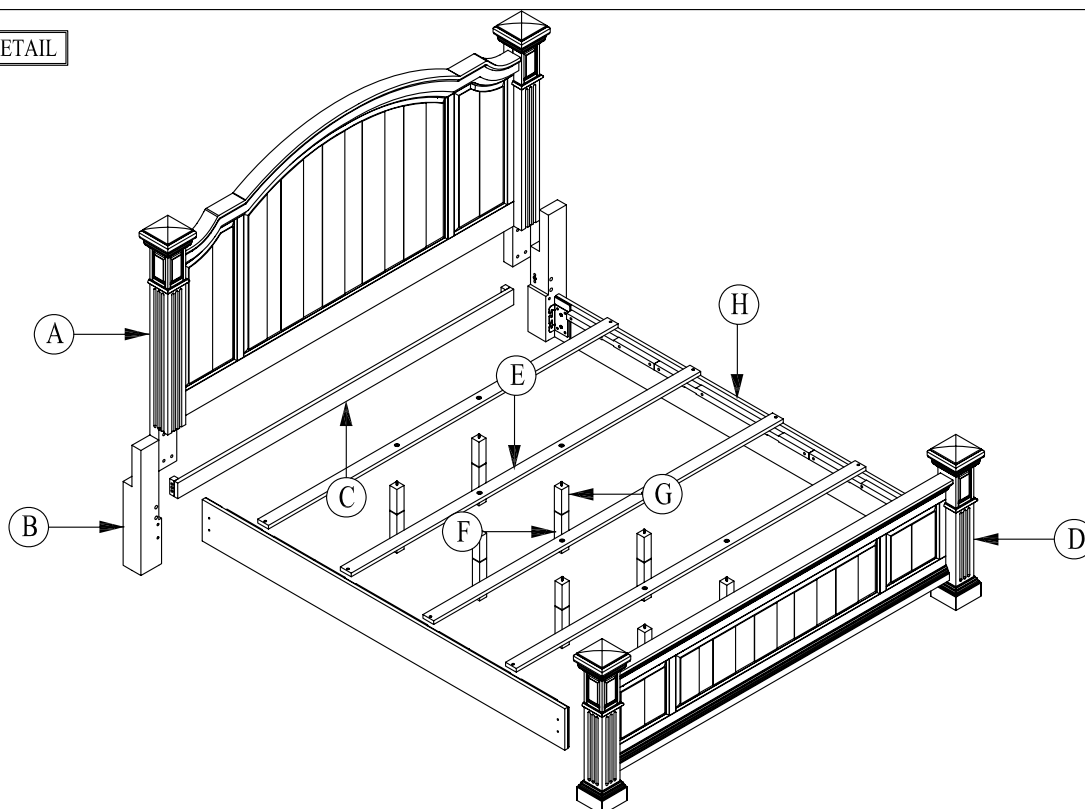
Thank you for purchasing this quality product. Be sure to check all packing material carefully for small parts, which may have come loose inside the carton during shipment. Identify and count all parts and compare with the Hardware List below.

	No.	Description	Qty
<b>Headboard</b>	A	Headboard	1 Pc
	B	Legs (L - R )	2 Pcs
	C	Stretcher	1 Pc
<b>Footboard</b>	D	Footboard	1 Pc
	E	Slats	4 Pcs
	F	Regular Leg Supports	8 Pcs
	G	Leg extensions	8 Pcs

<b>Siderail</b>	H	Siderails	2 Pcs
-----------------	---	-----------	-------

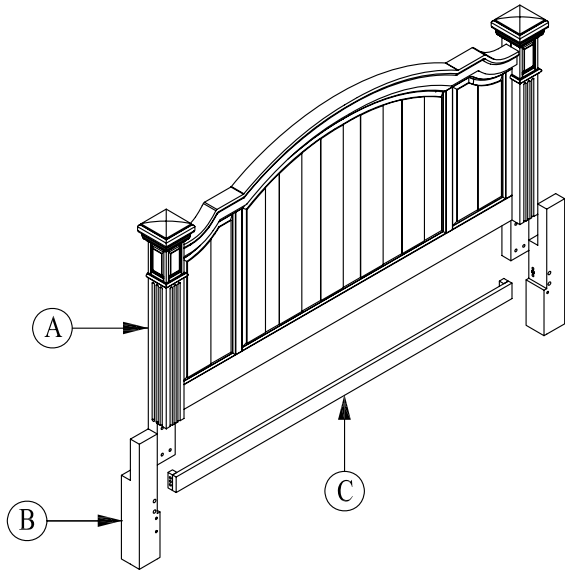
	No.	Picture	Description	Dimension	Qty
<b>Hardware List</b>	1		Screws	Ø8 x 32 mm	8 Pcs
	2		Bolts	M8 x 45 mm	2 Pcs
	3		Bolts	M8 x 70 mm	8 Pcs
	4		Lock Washers	Ø8 x Ø14 x 2 mm	10 Pcs
	5		Flat Washers	Ø8 x Ø18 x 1 mm	10 Pcs
	6		Allen Key	5 x 65 mm	1 Pc
	7		Dowels	Ø10 x 40 mm	4 Pcs
	8		Phillip Headscrew Driver ( not included )		

### PART DETAIL

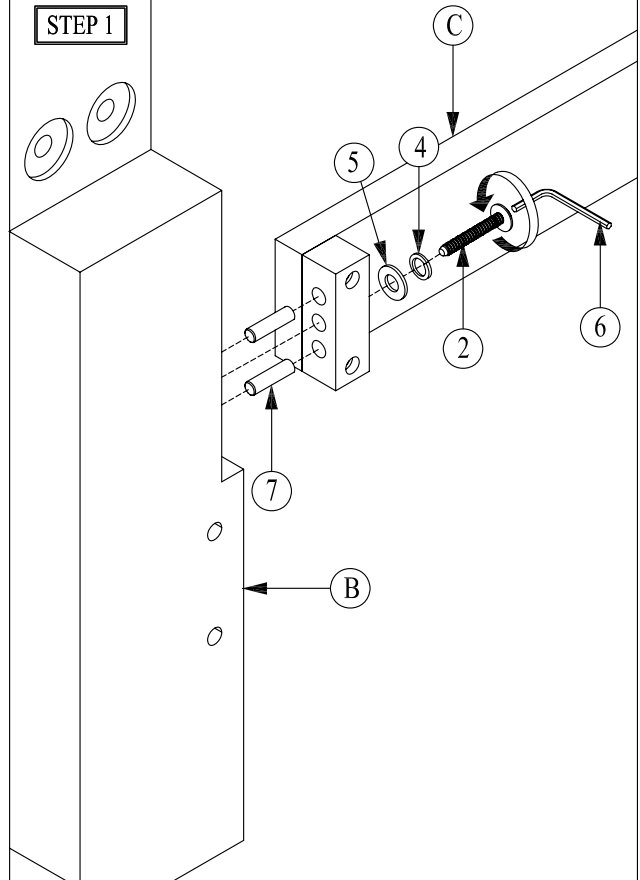


# ASSEMBLY STEP

## PART DETAIL

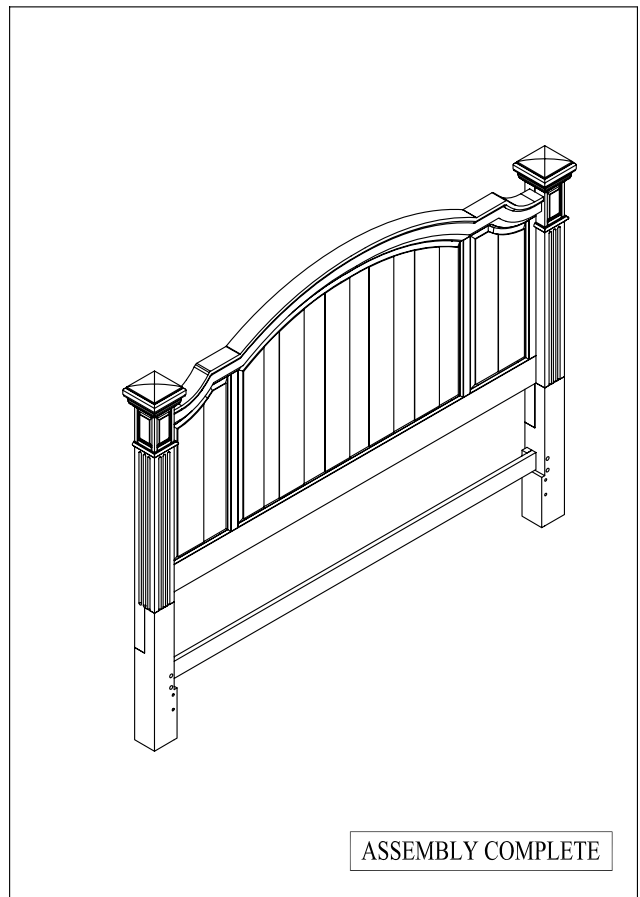
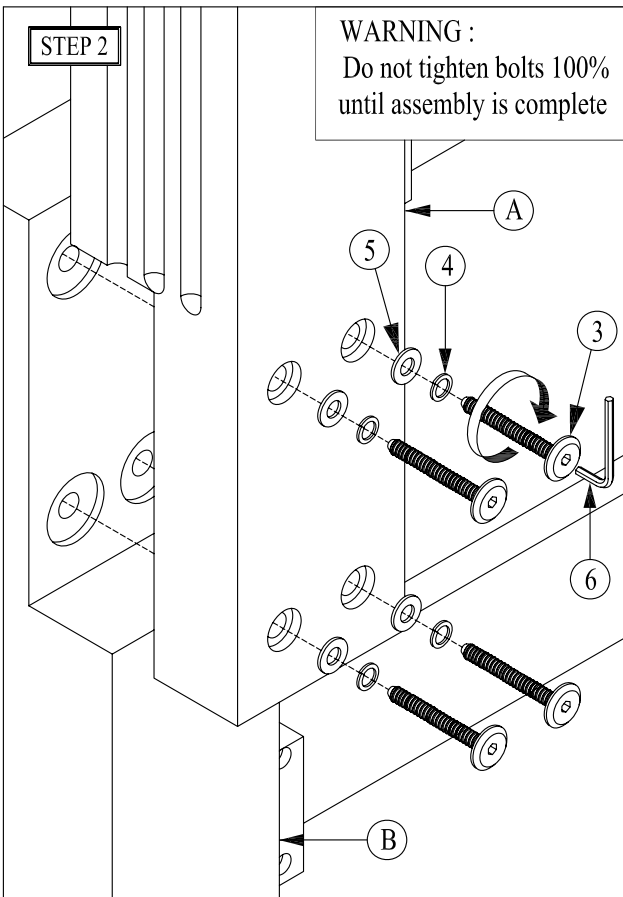


## STEP 1



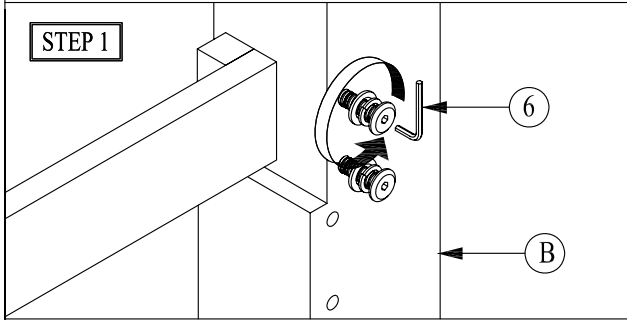
## STEP 2

**WARNING :**  
Do not tighten bolts 100%  
until assembly is complete

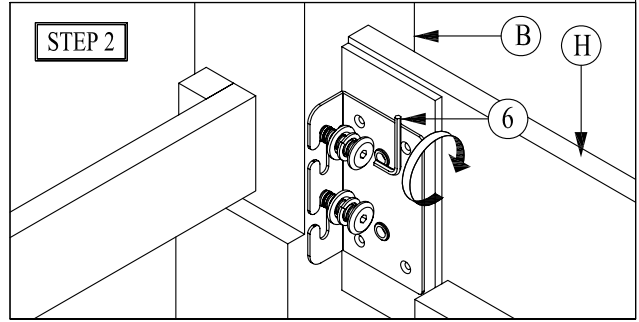


ASSEMBLY COMPLETE

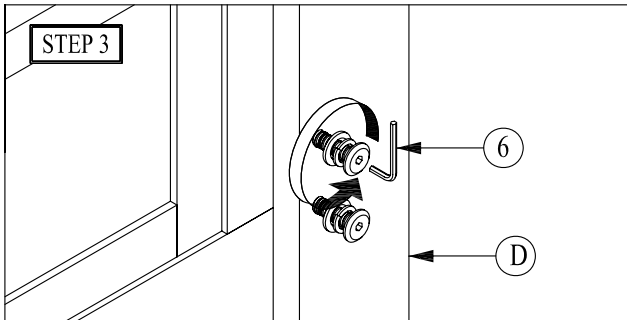
## ASSEMBLY STEP



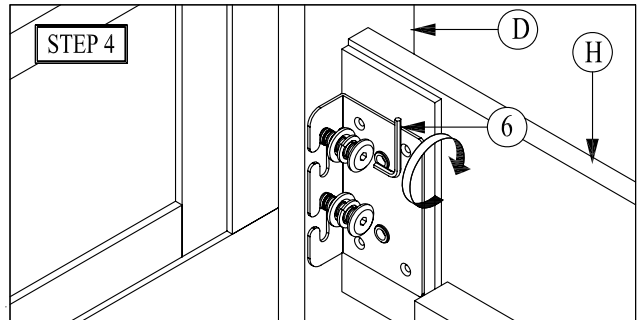
Slightly loose the Bolt on the Leg ( B )



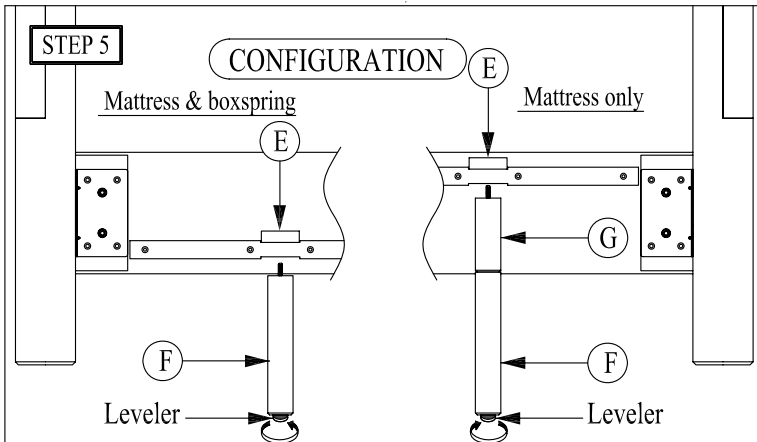
Attach Regular Siderail ( H ) to Leg ( B )



Slightly loose the Bolt on the Footboard ( D )

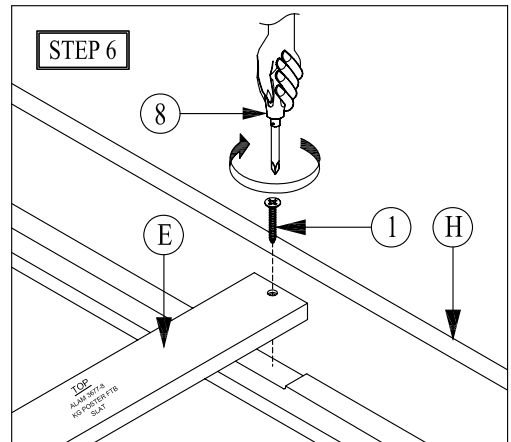


Attach Regular Siderail ( H ) to Footboard ( D )

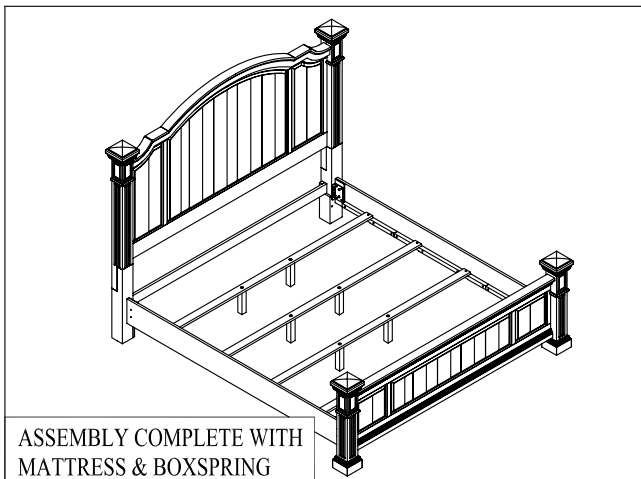


Tighten leg support ( F ) to slat ( E )

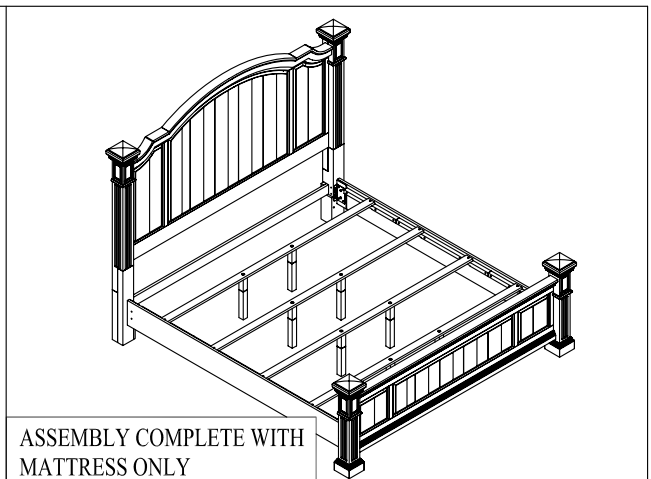
Tighten leg ext. ( G ) to slat ( E )



Attach Slats ( E ) to Siderail ( H ) using screw ( 1 ) with screw driver ( 8 ) follow pre-drill on the slats



ASSEMBLY COMPLETE WITH MATTRESS & BOXSPRING



ASSEMBLY COMPLETE WITH MATTRESS ONLY