



ASSEMBLY INSTRUCTIONS

GLOB 3736-11 KING HEADBOARD
 GLOB 3736-12 KING FOOTBOARD WITH 5-SLATS
 GLOB 3736-10 SIDE RAILS

SKU# 32437368
 SKU# 32837366
 SKU# 32937368



Manufactured by GLOB for Rooms To Go

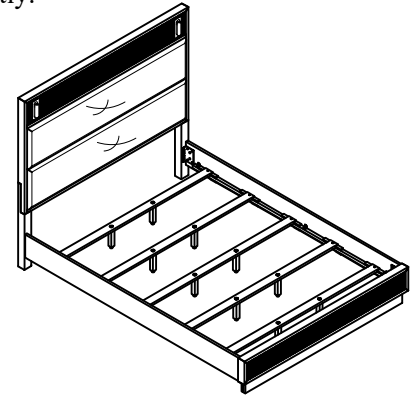
Parts Key			
No	Code	Q'TY	Description
1	3736-11	1pc	King Headboard Panel
2	3736-12	1pc	King Footboard
3	3736-10	2pcs	Side Rails
4	3736-12	5pcs	Slats
5		10pcs	Support Legs For Slats
6		10pcs	Extension Support Legs For Slat

1. We recommended that you should assemble this product with assistance of another person; this will make assembly easier and will eliminate damage to the product or injury to persons during assembly.

2. Please do not over tighten screws or bolts until assembly is complete.

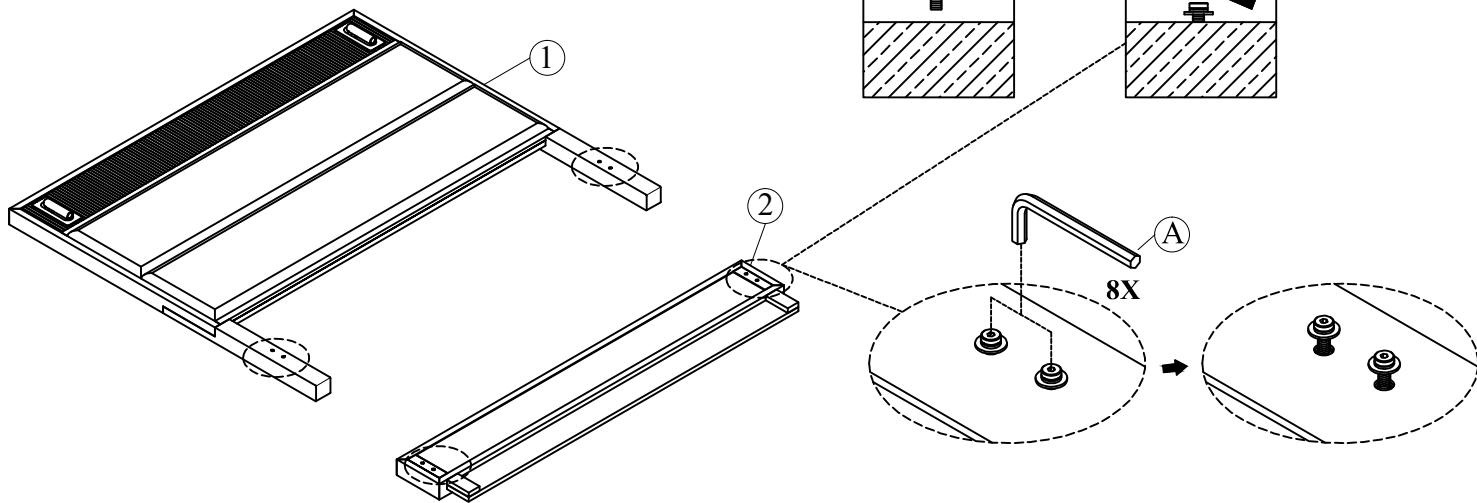
3. Please put all parts on a non-abrasive floor before assembly, and follow assembly steps to assemble your newly purchased product correctly and efficiently.

STEP	CODE	Hardware kit 3736-12	Q'TY
1	A	Allen Wrench 	1pc
	B	Wood Screw Ø8 * Ø4x1/4" 	10pcs



STEP 1:

Loosen the Allen Bolt, Spring Washer, Flat Washer in the Headboard Leg (1) and Footboard (2) with Allen Wrench (A) . Do not remove the bolt and leave it inserted halfway.



Hardware Pack Location (s) :

King Footboard With 5-Slats , SKU# 32738366



ASSEMBLY INSTRUCTIONS

GLOB 3736-11 KING HEADBOARD

SKU# 32437368

GLOB 3736-12 KING FOOTBOARD WITH 5-SLATS

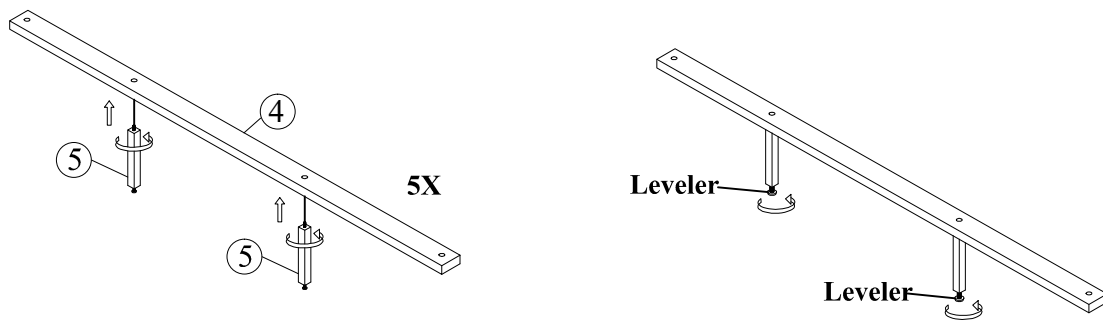
SKU# 32837366

GLOB 3736-10 SIDE RAILS

SKU# 32937368

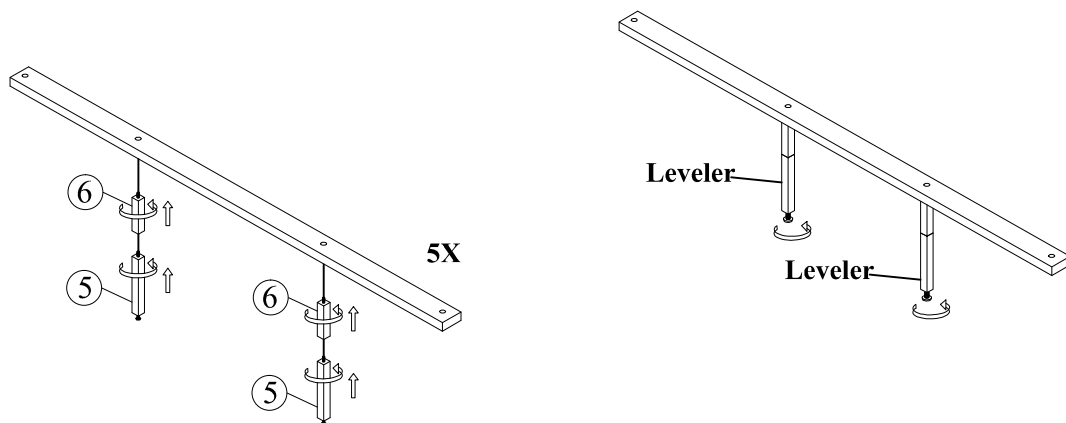
Manufactured by GLOB for Rooms To Go

STEP 2 : (Option 1 - Low Position)



Thread Long Support Legs (5) into the insert nut on Slats (4).
Short Support Leg(6) will not be used in Option 1.

STEP 2 : (Option 2- High Position)



Thread Short Support Legs (6) into the insert nut on Slats (4) and
then Thread Long Support Legs (5) into the insert nut on Short
Support Legs (6) as show above.

Hardware Pack Location (s) :

King Footboard With 5-Slats , SKU# 32738366



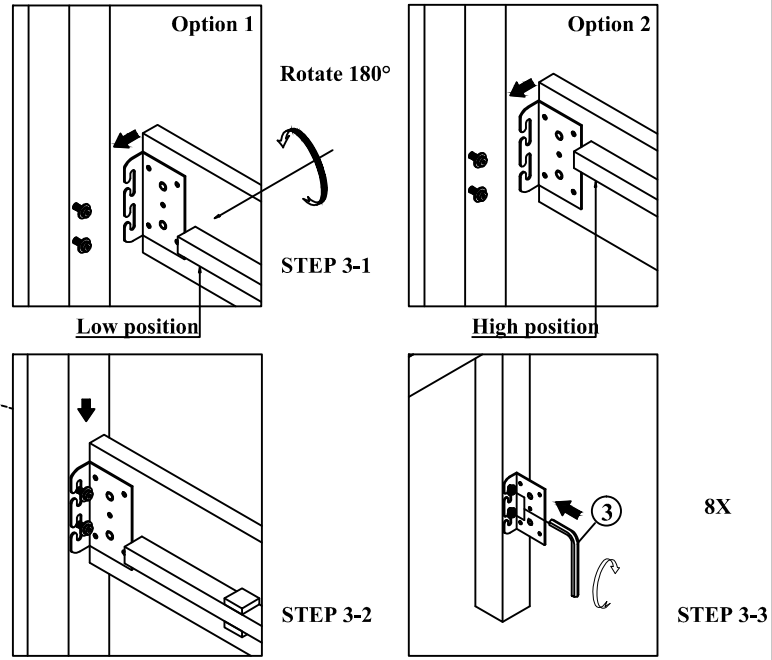
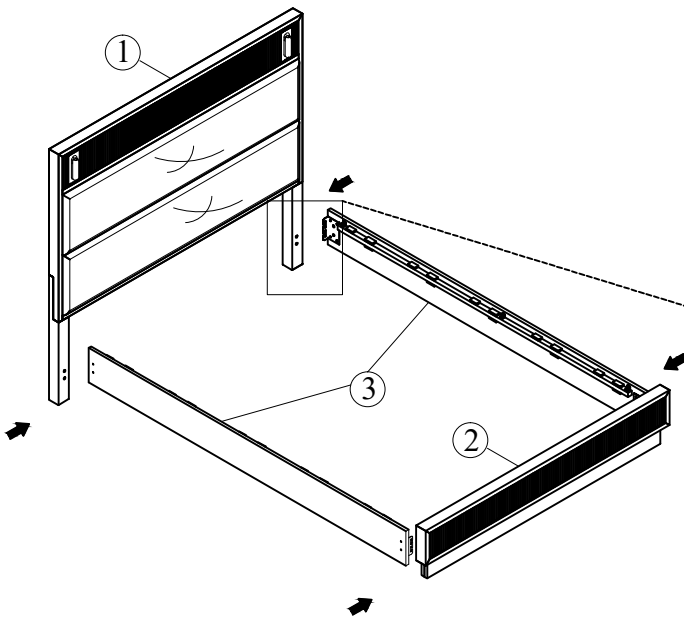
ASSEMBLY INSTRUCTIONS

GLOB 3736-11 KING HEADBOARD
 GLOB 3736-12 KING FOOTBOARD WITH 5-SLATS
 GLOB 3736-10 SIDE RAILS

SKU# 32437368
 SKU# 32837366
 SKU# 32937368

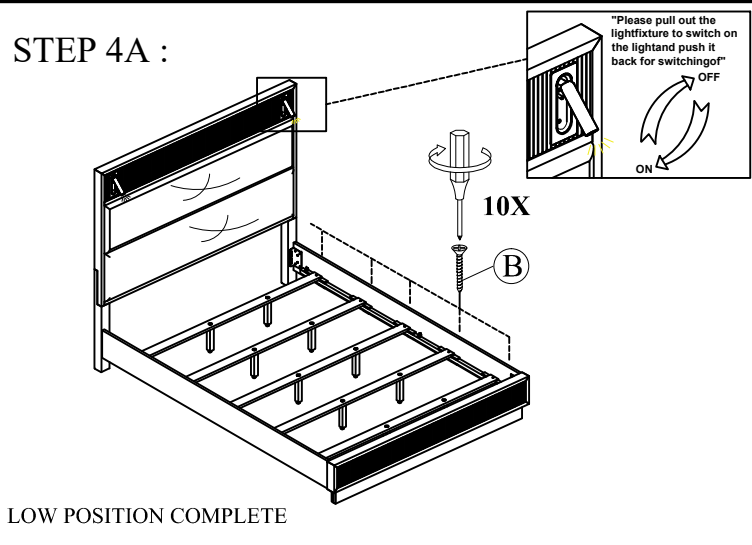
Manufactured by GLOB for Rooms To Go

STEP 3 :



Attach Side Rail (3) to Headboard (1) and Footboard (2). Place the Side Rail (3) bracket hooks onto the Bolts loosened in Step 1. Apply downward force until side rails are fully put on the bolts of Headboard and Footboard in place. Tighten with Allen Wrench (A).

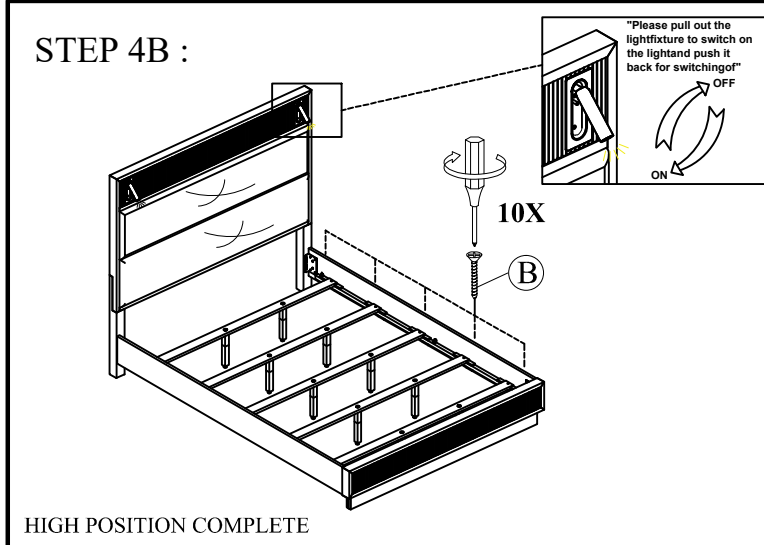
STEP 4A :



LOW POSITION COMPLETE

Put Slats (4) on to Side Rails (3) and fix by Wood Screw (B) using a Phillips Head screwdriver (not included).

STEP 4B :



HIGH POSITION COMPLETE

Put Slats (4) on to Side Rails (3) and fix by Wood Screw (B) using a Phillips Head screwdriver (not included).

Hardware Pack Location (s) :

King Footboard With 5-Slats , SKU# 32738366