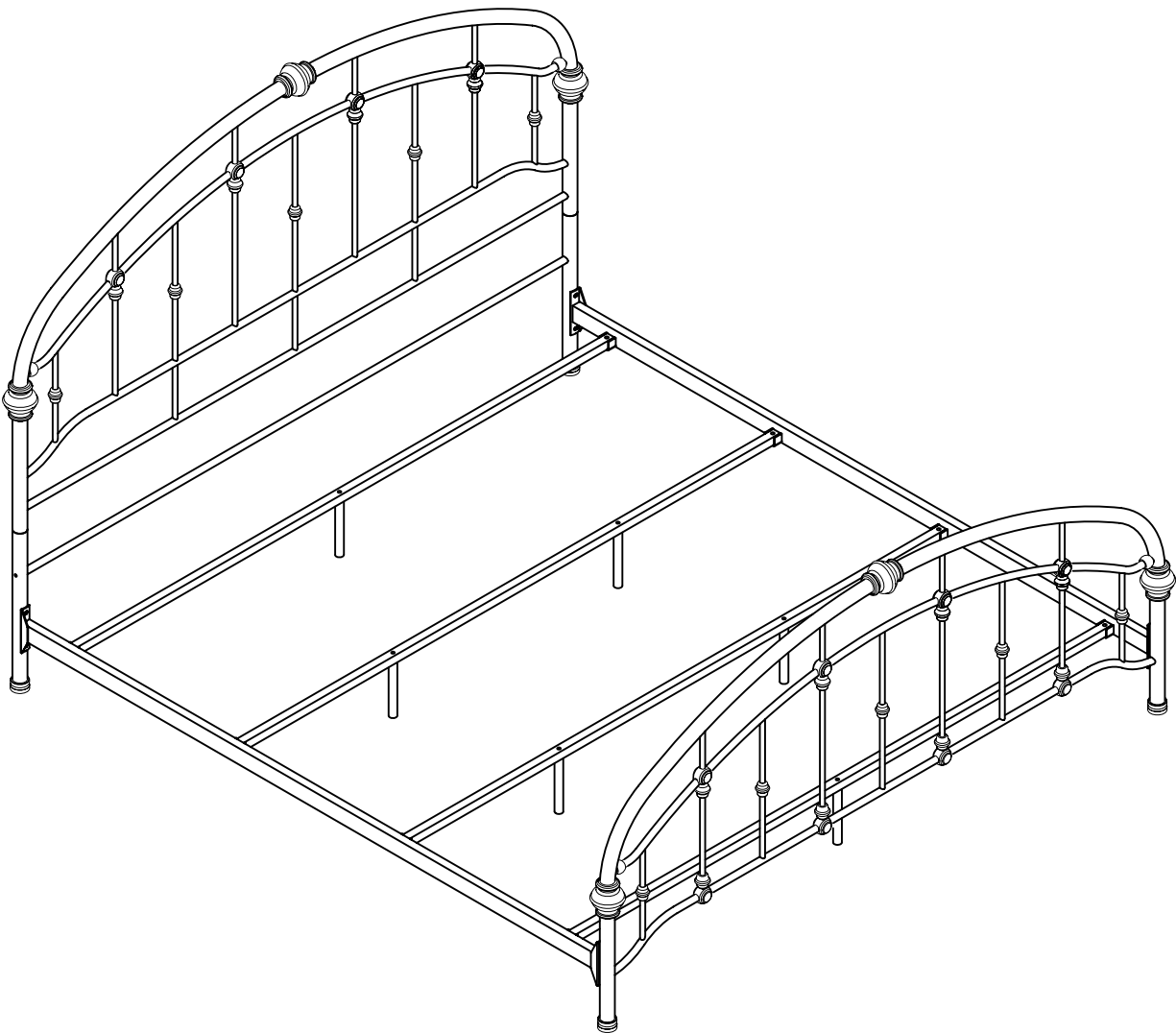


ASSEMBLY INSTRUCTIONS

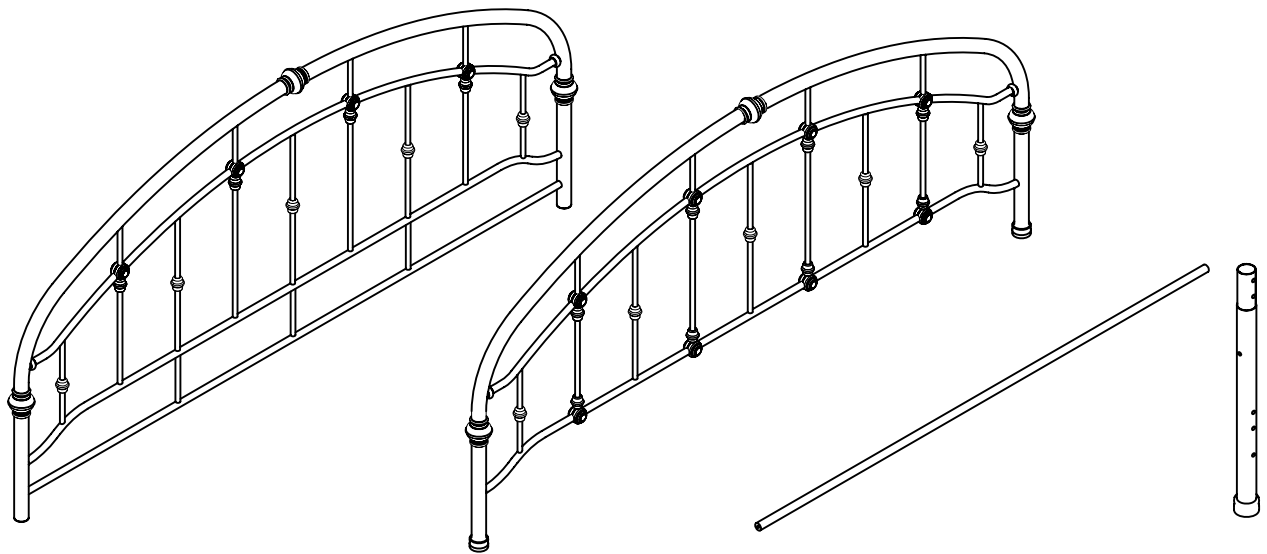


WRLW 4113R-BK
KING BED
SKU#32441165

Thank you for purchasing this quality product. Be sure to check all packing material carefully for small parts, which may have come loose inside the carton during shipment. Identify and count all parts and compare with the Hardware List below.



PARTS IDENTIFICATION

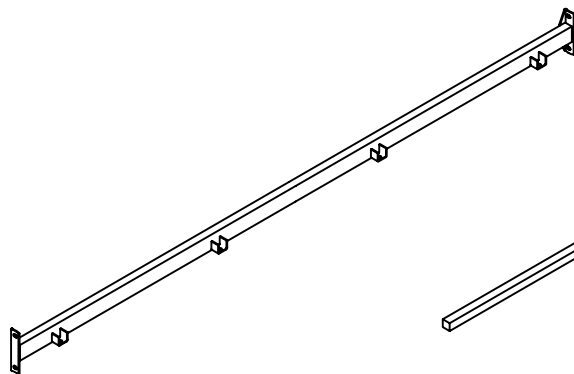


(1)X1pc

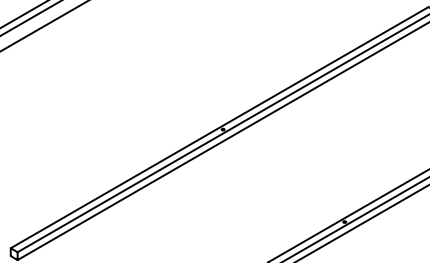
(2)X1pc

(3)X1pc

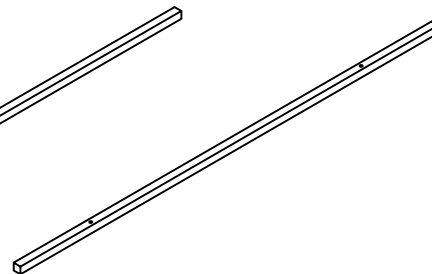
(4)X2pcs



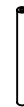
(5)X2pcs



(6)X2pcs

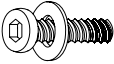
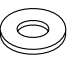
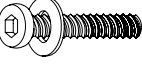




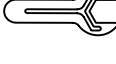



(7)X2pcs

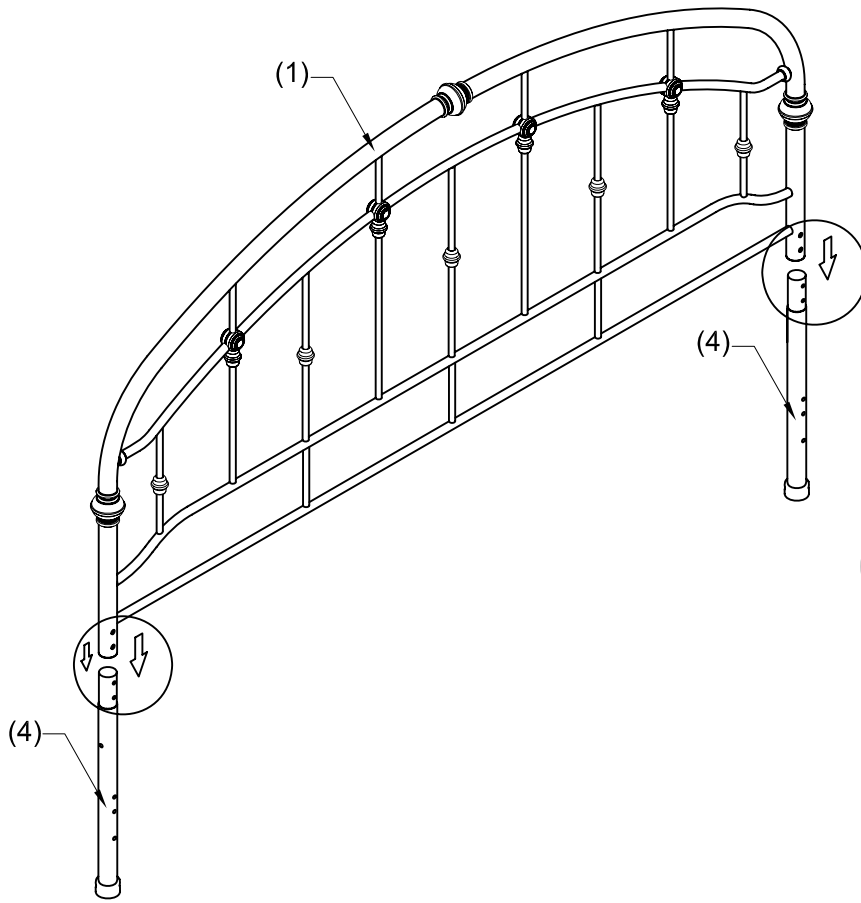


(8)X6pcs

HARDWARE LIST

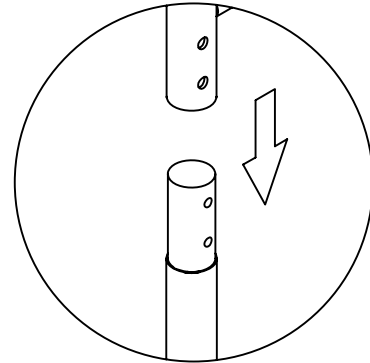
A		$\frac{1}{4}$ "x20x $\frac{5}{8}$ "	8pcs	F		∅16mm	4pcs
B		$\frac{1}{4}$ "x20x $\frac{7}{8}$ "	4pcs	G		$\frac{1}{4}$ "	4pcs
C		$\frac{1}{4}$ "x20x1 $\frac{3}{4}$ "	6pcs	H		4x4mm	1pc
D		$\frac{1}{4}$ "x20x2"	6pcs	I		11.3mm	1pc
E		$\frac{1}{4}$ "x20x $\frac{5}{8}$ "	4pcs				

STEP 1:

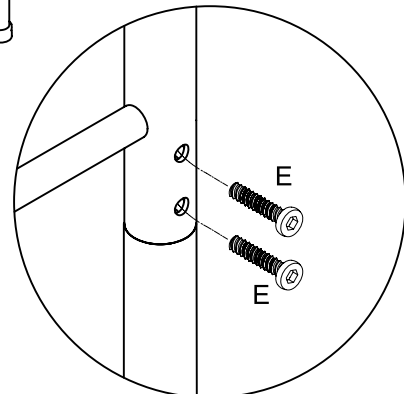
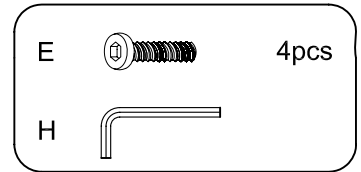
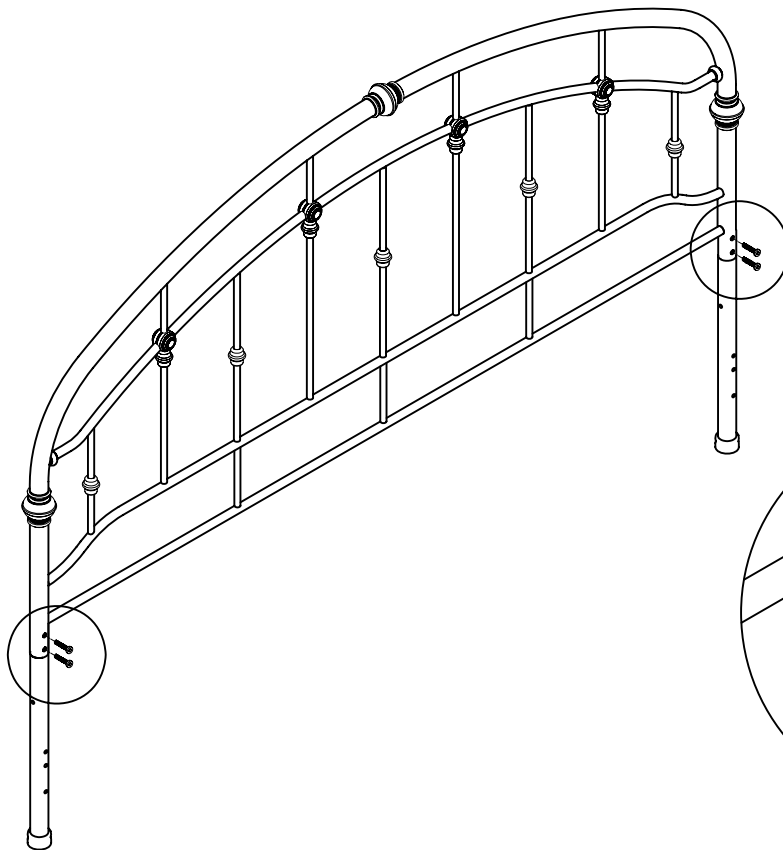


ASSEMBLY



Do not fully tighten all bolts until assembly is complete.
This will help all parts to assemble properly.

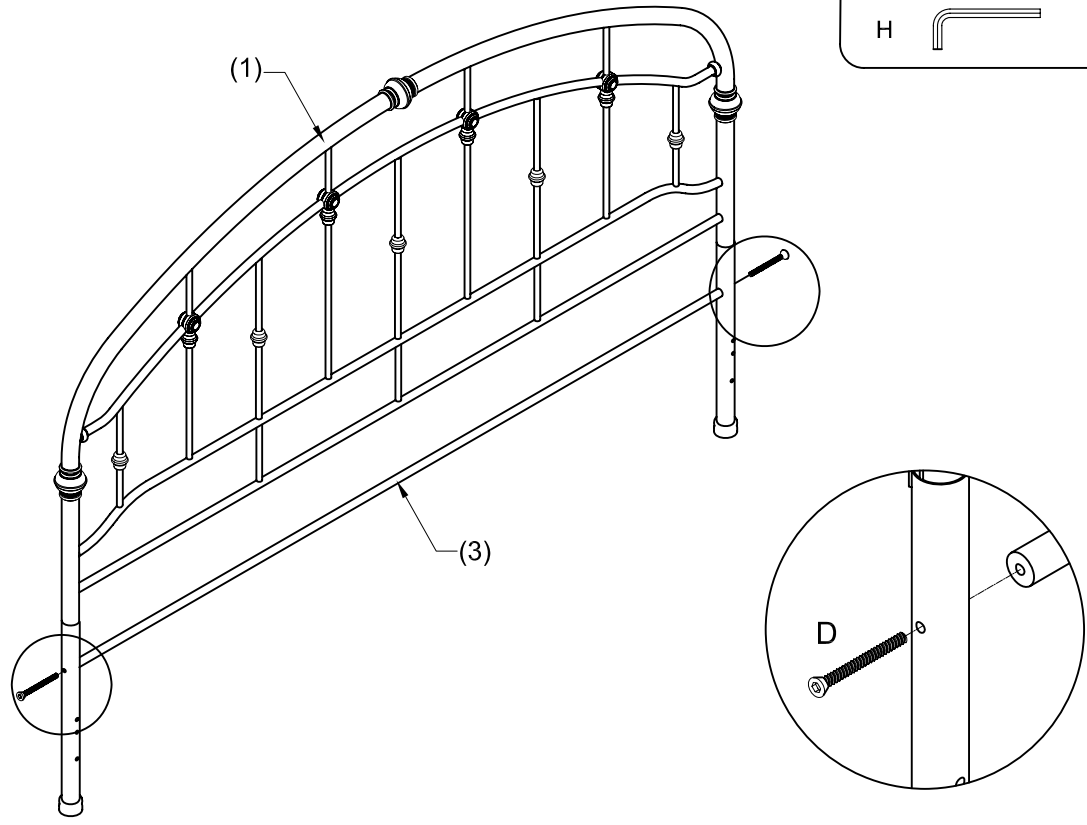


STEP 2:






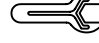


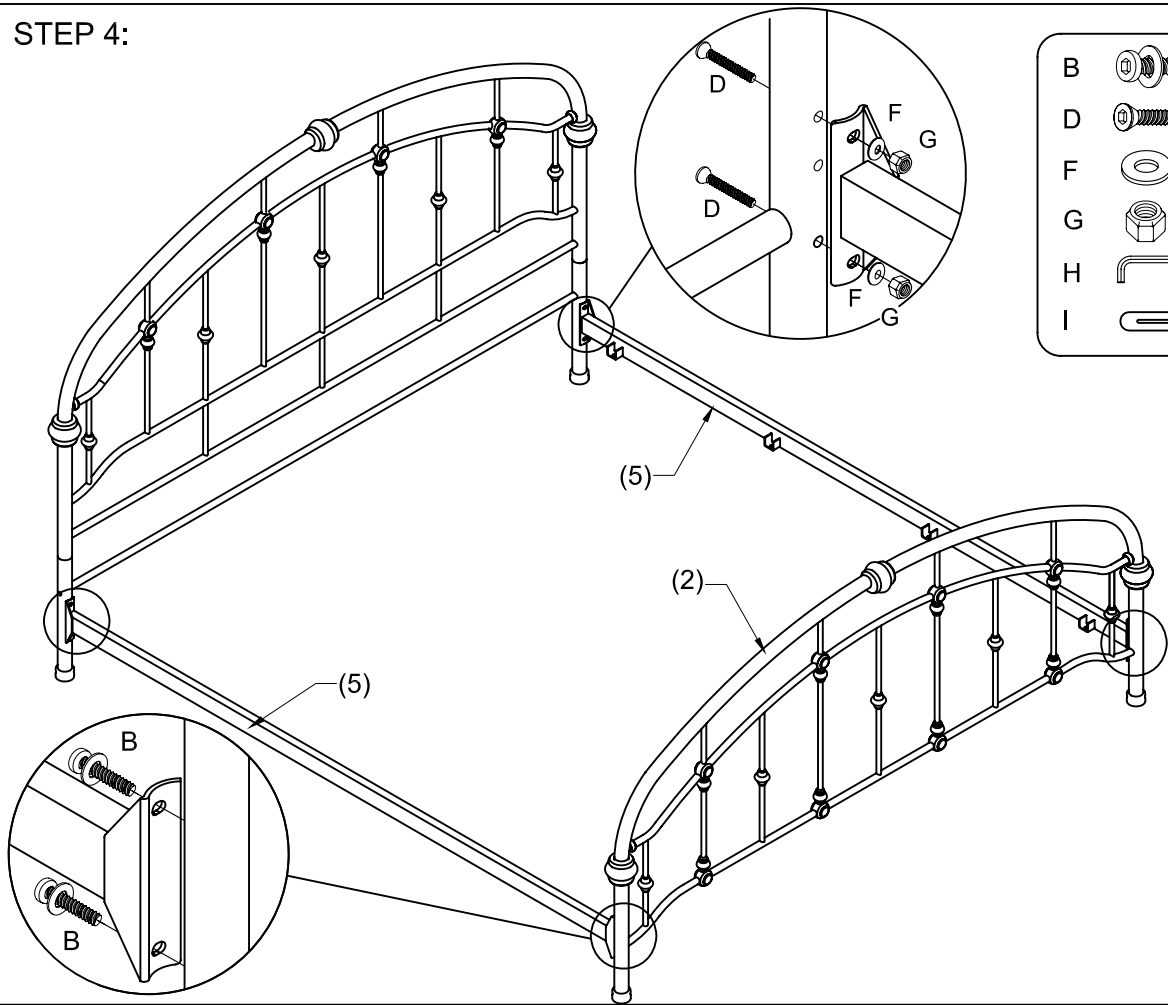
STEP 3:

- D  2pcs
- H 

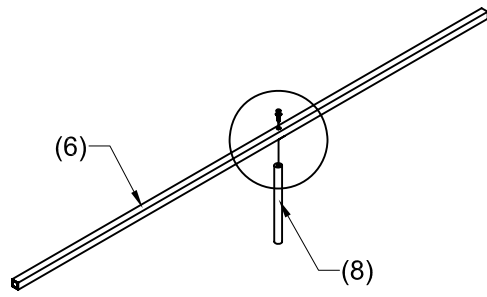


STEP 4:

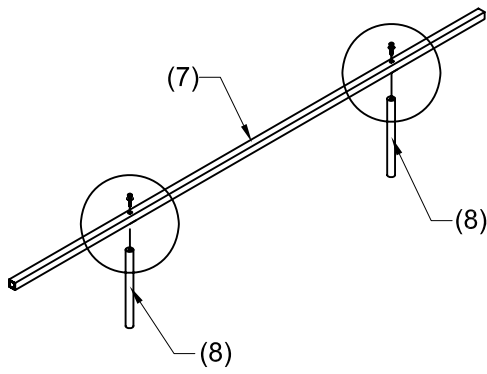
- B  4pcs
- D  4pcs
- F  4pcs
- G  4pcs
- H 
- I 



STEP 5:

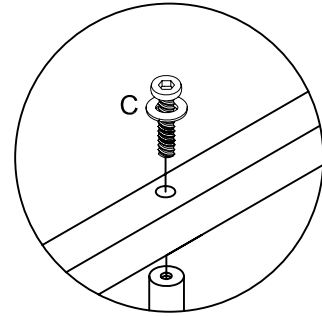


← X2

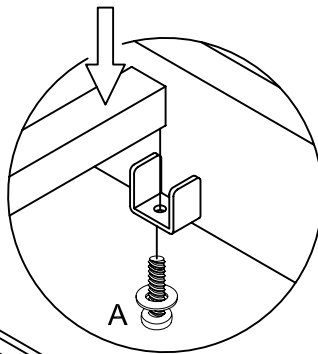
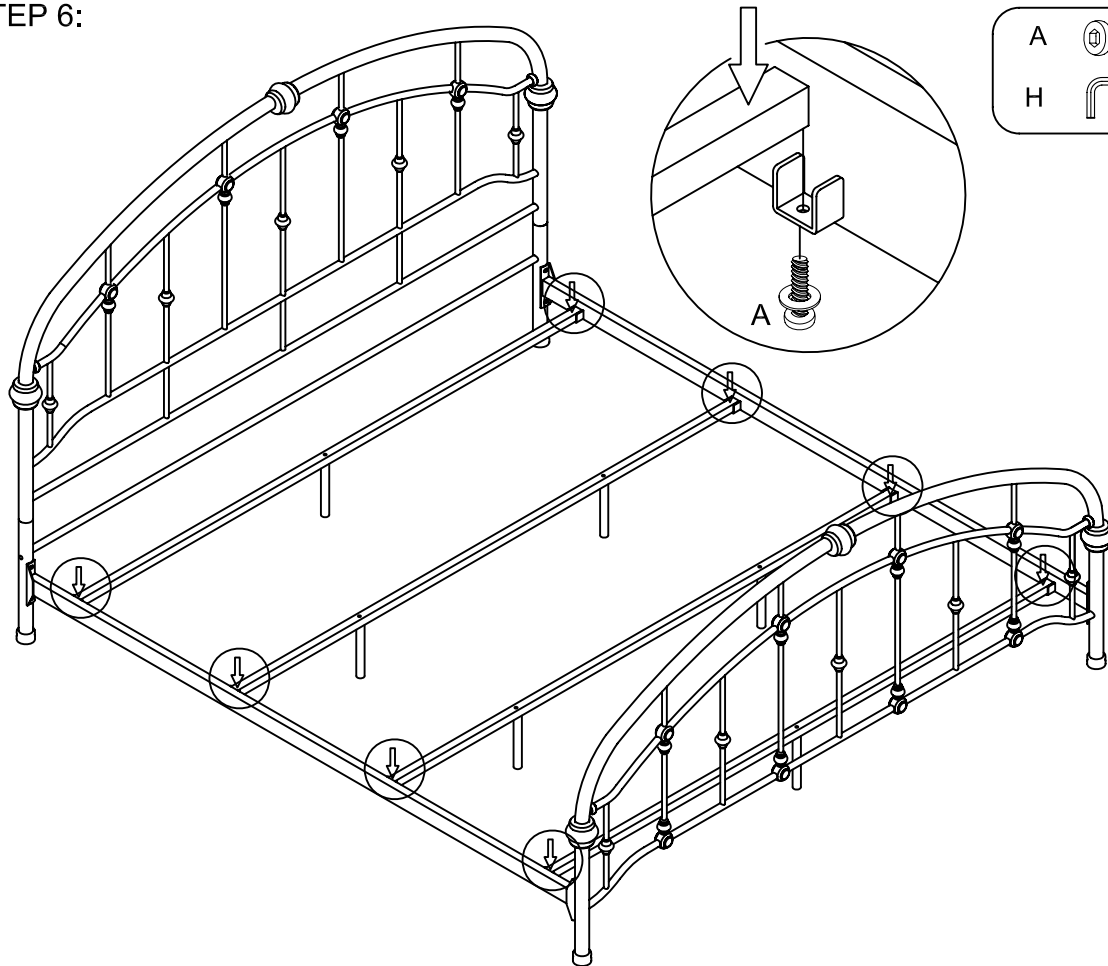


← X2

C		6pcs
H		



STEP 6:



A		8pcs
H		