

# Assembly Instructions










SLAW 135-4788/4790-270 KG Panel HB  
 SLAW 135-4788/4790-271 KG Panel FB & Slats  
 SLAW 135-4788/4790-400 QN & KG Side Rails


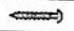
SKU# 32447888/32447903  
 SKU# 32847886/32847901  
 SKU# 32947888/32947903


This product is manufactured by SLAW for

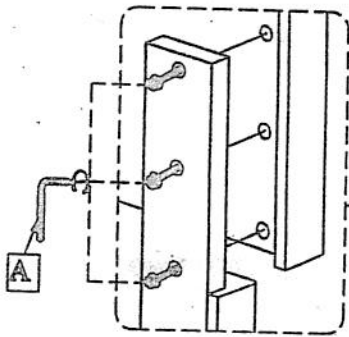
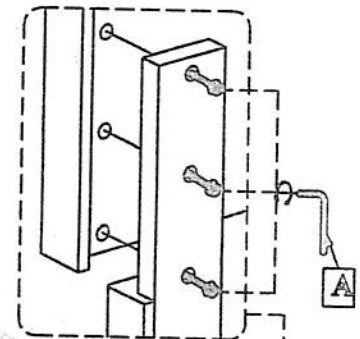
ROOMS TO GO

**\*\*\*Caution:** Please read all instructions carefully before starting the assembly process. These part are cumbersome and heavy. Therefore, two people are recommended in order to prevent personal injury and ensure the parts are not damaged during the assembly.

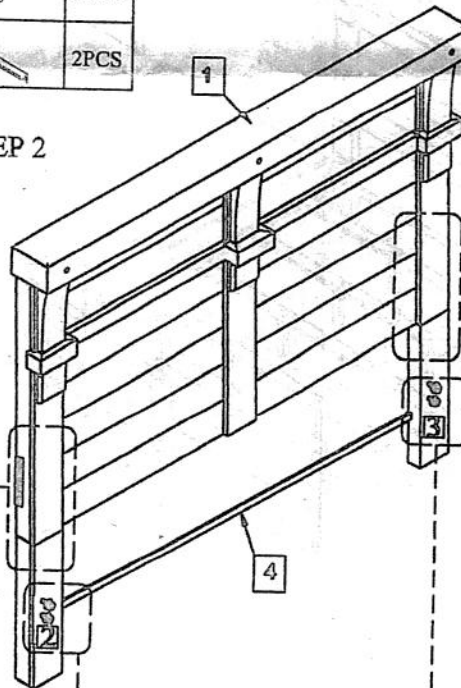
Code	PART LIST		
1	Headboard		1PC
2	Left Headboard Leg		1PC
3	Right Headboard Leg		1PC
4	Stretcher Rail		1PC
5	Footboard		1PC
6	Slat		5PCS
7	Slat Support Leg (Short)		10PCS
8	Slat Support Leg (Long)		10PCS
9	Side Rail		2PCS

Step	Code	HARDWARE LIST		
1-2-3-4-5	A	4mm Allen key		1pc
6	B	Wood screw #10*30mm		10pcs

TOOLS REQUIRED (NOT PROVIDED)	
Description	Sketch
Phillips Screwdriver	



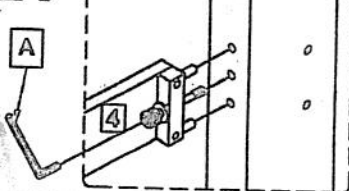
STEP 2



STEP 3

NOTE: The Headboard and Footboard bolts are already pre-installed.  
 STEP 1 : Assembly Stretcher rail (4) with HB legs using allen key (A). Do not tighten all bolts until HB is fully assembly.  
 STEP 2 : Assembly the left legs(2) with the left HB(1) using allen key (A). Do not tighten all bolts until HB is fully assembly.  
 STEP 3 : Assembly the right legs(3) with the right HB(1) using allen key (A). Do not tighten all bolts until HB is fully assembly.

STEP 1



**Hardware Pack location(s)**  
 135-4788/4790-270 KG Panel HB  
 135-4788/4790-271 KG Panel FB & Slats

SKU# 32447888/32447903  
 SKU# 32847886/32847901

# Assembly Instructions

SLAW 135-4788/4790-270 KG Panel HB  
SLAW 135-4788/4790-271 KG Panel FB & Slats  
SLAW 135-4788/4790-400 QN & KG Side Rails

SKU# 32447888/32447903  
SKU# 32847886/32847901  
SKU# 32947888/32947903

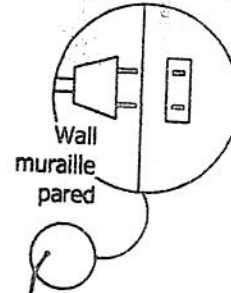
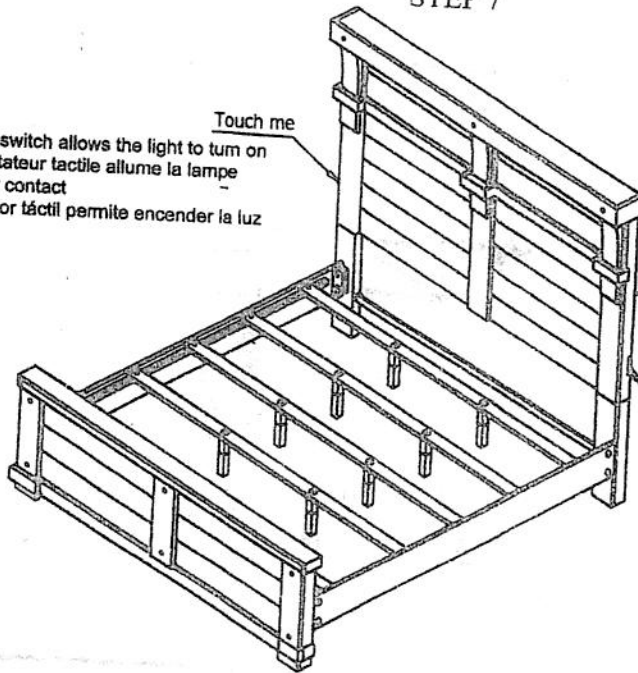
This product is manufactured by SLAW for

ROOMS TO GO

**Caution:** Please read all instructions carefully before starting the assembly process. These parts are cumbersome and heavy. Therefore, two people are recommended in order to prevent personal injury and ensure the parts are not damaged during the assembly.

## STEP 7

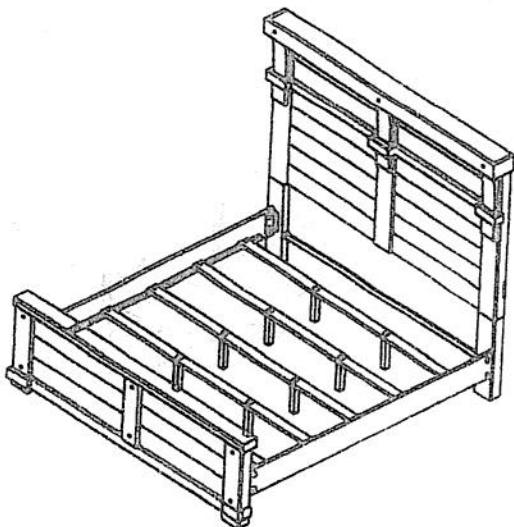
Touch me  
The touch switch allows the light to turn on  
Le commutateur tactile allume la lampe  
au premier contact  
El interruptor táctil permite encender la luz



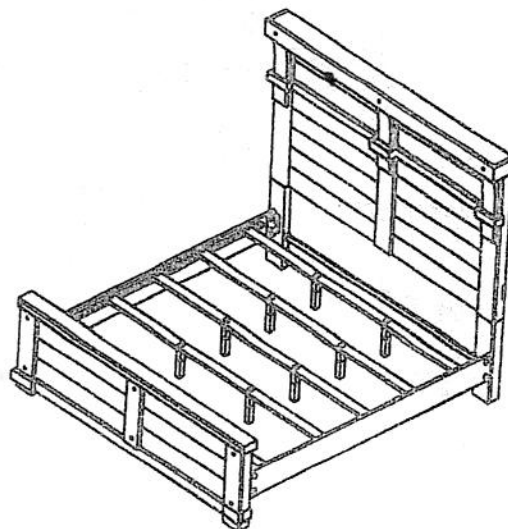
Touch me

The touch switch allows the light to turn on  
Le commutateur tactile allume la lampe  
au premier contact  
El interruptor táctil permite encender la luz

### LOW POSITION



### HIGH POSITION



# Assembly Instructions

SLAW 135-4788/4790-270 KG Panel HB  
SLAW 135-4788/4790-271 KG Panel FB & Slats  
SLAW 135-4788/4790-400 QN & KG Side Rails

SKU# 32447888/32447903  
SKU# 32847886/32847901  
SKU# 32947888/32947903

This product is manufactured by SLAW for

ROOMS TO GO

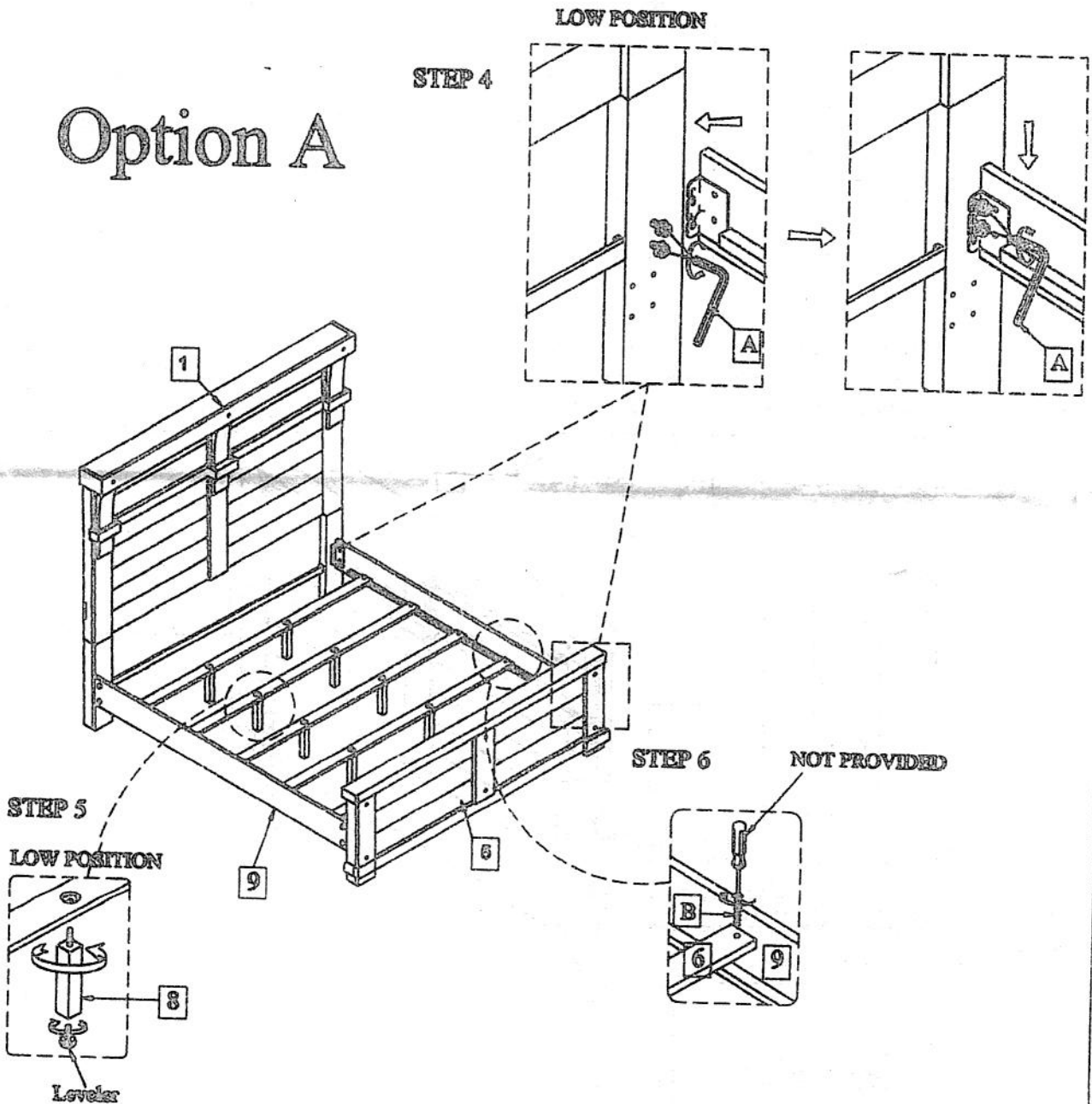
**Caution:** Please read all instructions carefully before starting the assembly process. These parts are cumbersome and heavy. Therefore, two people are recommended in order to prevent personal injury and ensure the parts are not damaged during the assembly.

STEP 4: Assemble the side rails (9) to the HB (1) and FB (5) using allen key (A).

STEP 5: Assemble the support leg (8) to slats (6).

STEP 6: Assemble the slats (6) to the side rail (9).

## Option A



# Assembly Instructions

SLAW 135-4788/4790-270 KG Panel HB  
SLAW 135-4788/4790-271 KG Panel FB & Slats  
SLAW 135-4788/4790-400 QN & KG Side Rails

SKU# 32447888/32447903  
SKU# 32847886/32847901  
SKU# 32947888/32947903

This product is manufactured by SLAW for

ROOMS TO GO

**Caution:** Please read all instructions carefully before starting the assembly process. These parts are cumbersome and heavy. Therefore, two people are recommended in order to prevent personal injury and ensure the parts are not damaged during the assembly.

- STEP 4: Assemble the side rails (9) to the HB (1) and FB (5) using allen key (A).
- STEP 5: Assemble the support leg (7&8) to slats (6).
- STEP 6: Assemble the slats (6) to the side rail (9).

## Option B

