





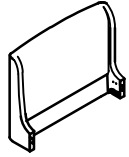
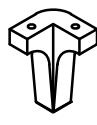


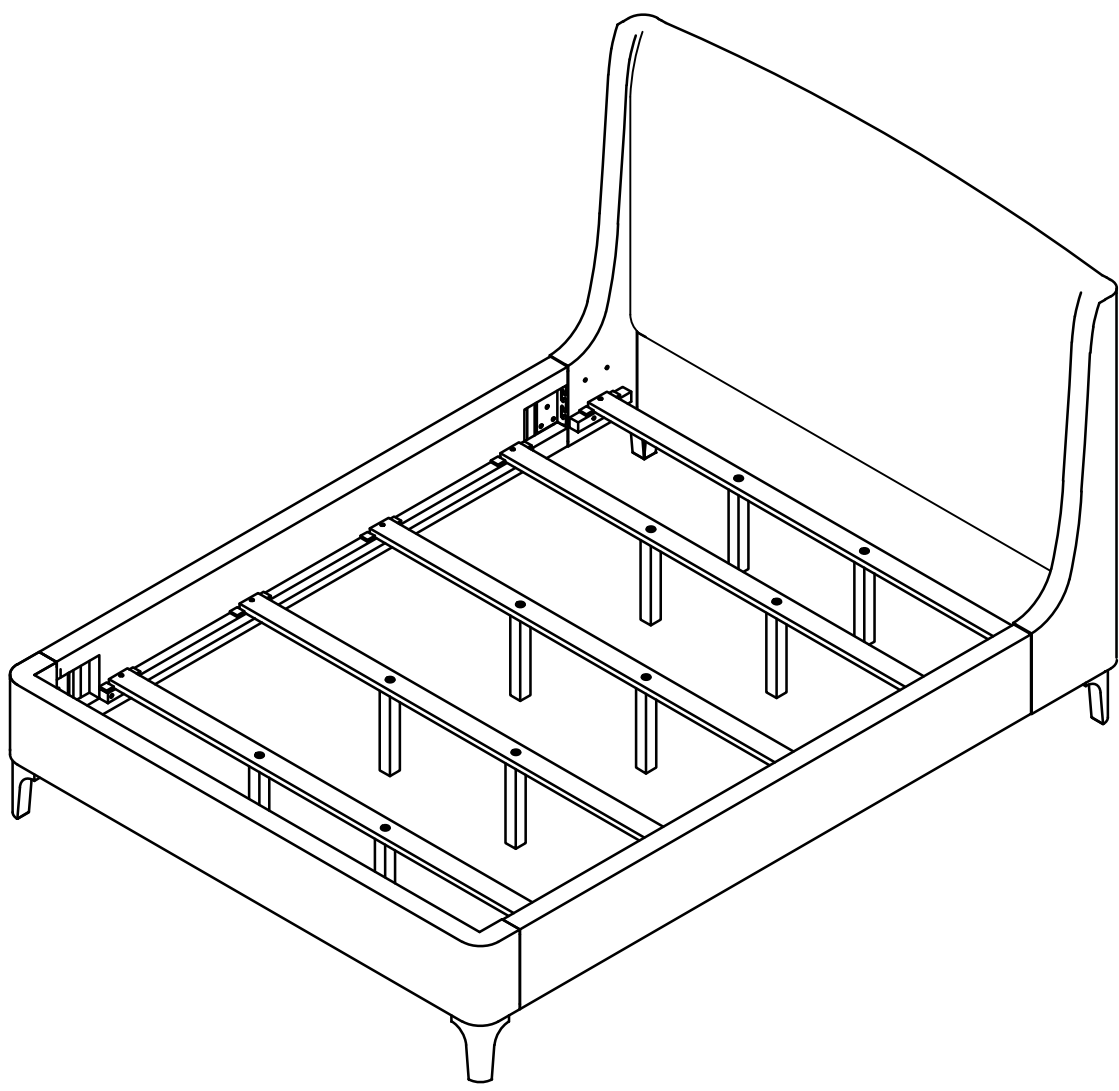
Assembly Instructions

JGWF 539KH-MS/ 539KH-MP KG Headboard SKU#32453906/ 32453918
 JGWF 539KH-MS/ 539KH-MP KG Footboard SKU#32853904/ 32853916
 JGWF 539Q/K-MS/ 539Q/K-MP QN /KG Rail SKU#32953906/ 32953918

This product is manufactured by JGWF for ROOMS TO GO ►

Code	Hardware List	Q'TY
1	Allen Key M4x57mm 	1 Pc
2	Bolt thread per inch 5/16"18"x2" 	4 Pcs
3	Spring Washer 5/16" 	4 Pcs
4	Flat Washer 5/16" 	4 Pcs

Code	Part List	Q'TY
A	Headboard 	1 Pc
B	Legs 	2 Pcs



Hardware Pack Location(s):
 King Headboard SKU#32453906/ 32453918



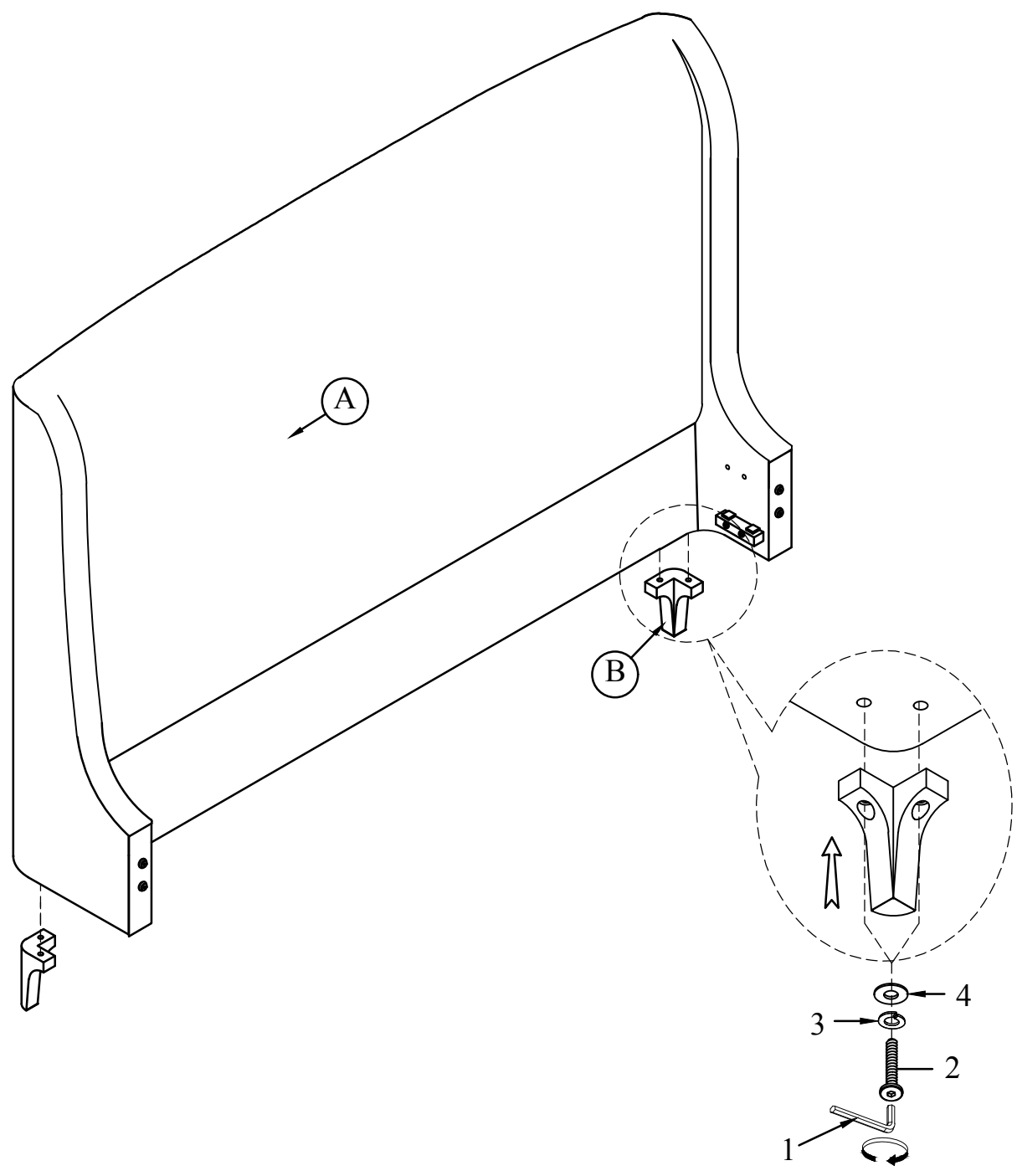
Assembly Instructions

JGWF 539 KG Headboard SKU#32453906/ 32453918
JGWF 539 KG Footboard SKU#32853904/ 32853916
JGWF 539 QN /KG Rail SKU#32953906/ 32953918

This product is manufactured by JGWF for ROOMS TO GO ►

***Caution: Please read all instructions carefully before starting the assembly process. These parts are cumbersome and heavy. Therefore, two people are recommended in order to prevent personal injury and ensure the parts are not damaged during the assembly.

STEP 1:



Attach the Legs to Headboard using Bolt (2), Spring Washer (3) and Flat Washer (4).