

# ROOMS TO GO



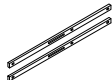
Manufactured for Rooms to Go.



# Assembly Instructions

AUGR RTG5888-01 MIRROR  
 AUGR RTG5888-10 DRESSER

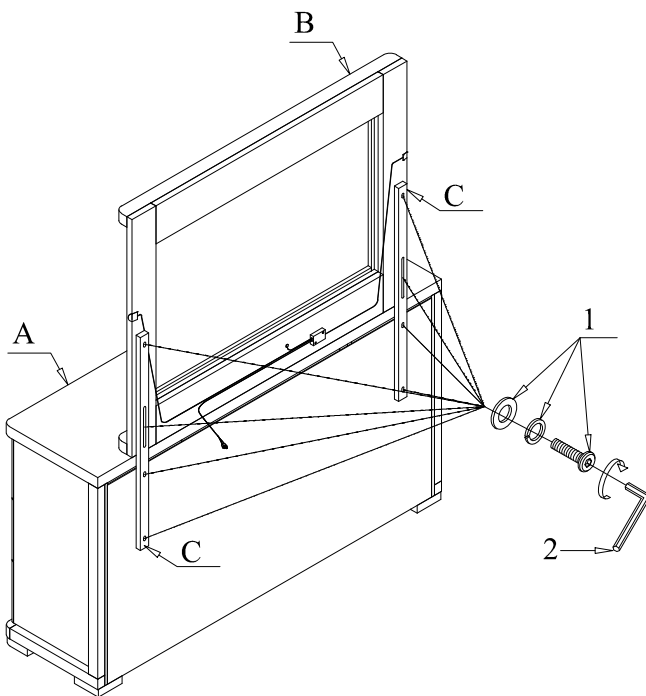
SKU#32258887  
 SKU#32158885

\*\*\* Caution: Please read all instructions carefully before starting the assembly process. These parts are cumbersome and heavy. Therefore, two people are recommended in order to prevent personal injury and ensure the parts are not damaged during the assembly.

CODE	PARTS LIST		
A	Dresser		1 pc
B	Mirror		1 pc
C	Mirror Supports (Packed in Mirror Carton)		2 pcs

CODE	HARDWARE LIST		
1	Bolt Ø1/4" x 1"-1/2 (Thead Count 20)		8 pcs
	Flat Washer Ø1/4"x19x2mm		8 pcs
	Lock Washer Ø1/4"		8 pcs
2	Allen Wrench M4 x 2-1/4"		1 pc

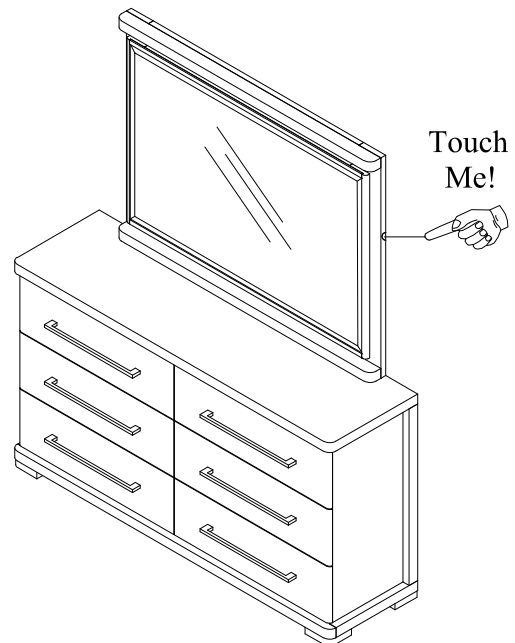
## STEP 1



## COMPLETE

### Your Touch is the Switch

- Touch 1-Night light
- Touch 2-Energy saver light
- Touch 3-Bright reading light
- Touch 4-Off



### Hardware Pack Location(s):

AUGR RTG5888-01 MIRROR      SKU#32258887

# ROOMS TO GO


Manufactured for Rooms to Go.



## Assembly Instructions

AUGR RTG5888-10 DRESSER

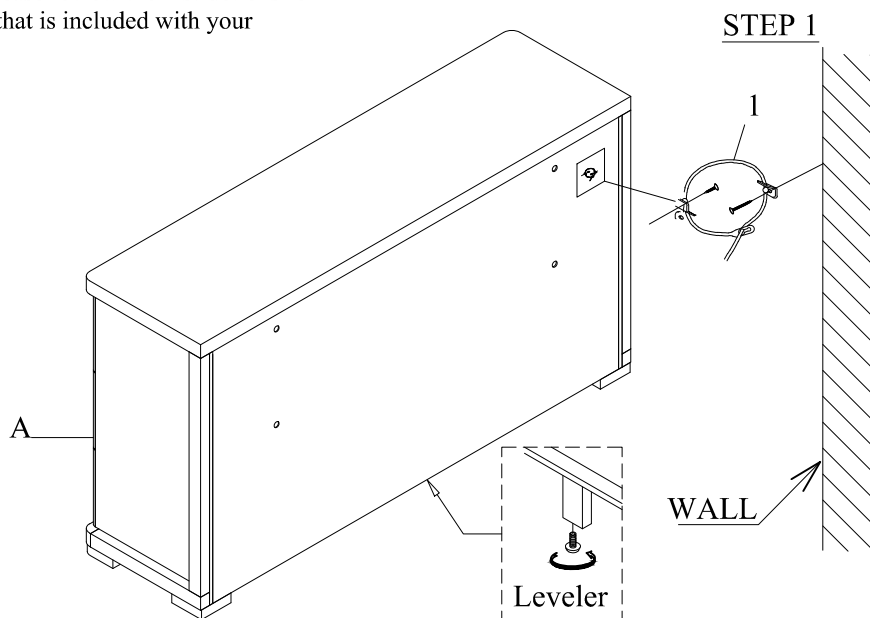
SKU#32158885

\*\*\* Caution: Please read all instructions carefully before starting the assembly process. These parts are cumbersome and heavy. Therefore, two people are recommended in order to prevent personal injury and ensure the parts are not damaged during the assembly.

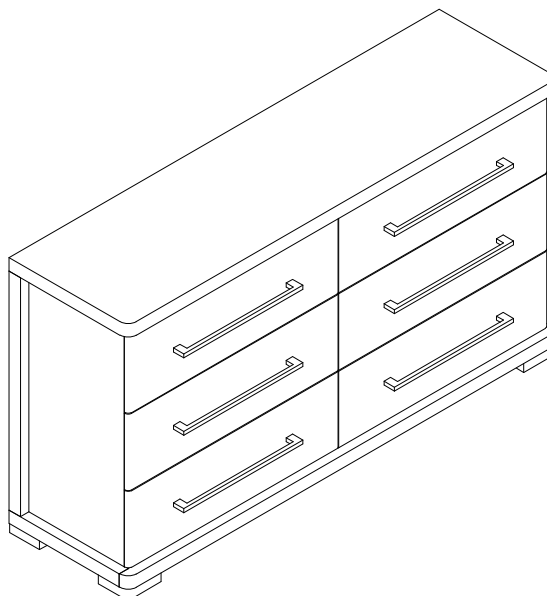
CODE	PARTS LIST		
A	Dresser		1 pc

CODE	HARDWARE LIST		
1		Tipping Restraint	1 Set
TOOLS REQUIRED ( NOT PROVIDED )			
Phillips Screwdriver 			

**WARNING:** Serious or fatal crushing injuries can occur from furniture tip-over. Please review the instructions for the Tipping Restraint (1) that is included with your product.



COMPLETE



**Hardware Pack Location(s):**

AUGR RTG5888-10 DRESSER      SKU#32158885

# ROOMS TO GO


Manufactured for Rooms to Go.



## Assembly Instructions

AUGR RTG5888-20 NIGHTSTAND

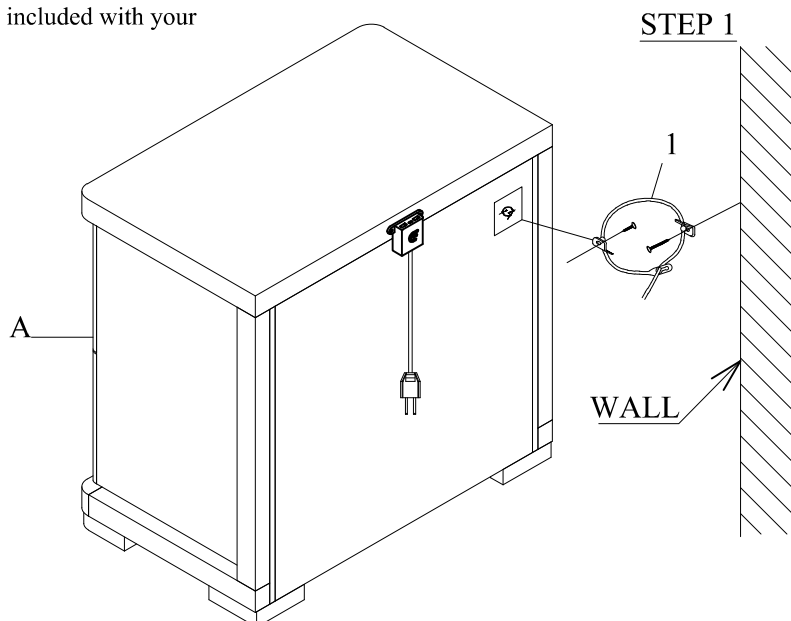
SKU#32558883

\*\*\* Caution: Please read all instructions carefully before starting the assembly process. These parts are cumbersome and heavy. Therefore, two people are recommended in order to prevent personal injury and ensure the parts are not damaged during the assembly.

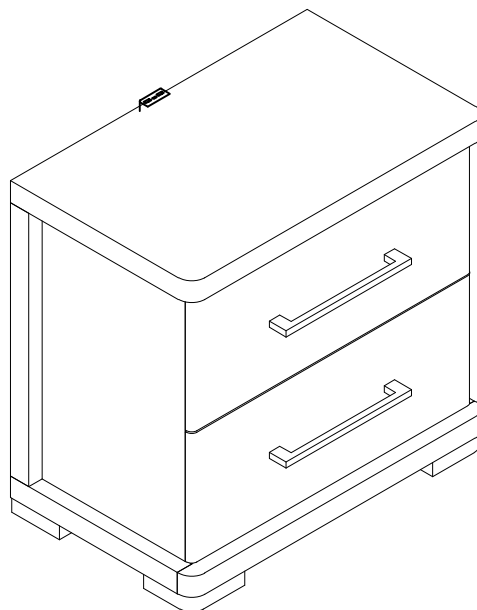
CODE	PARTS LIST		
A	Nightstand		1 pc

CODE	HARDWARE LIST		
1		Tipping Restraint	1 Set
TOOLS REQUIRED ( NOT PROVIDED )			
Phillips Screwdriver 			

**WARNING:** Serious or fatal crushing injuries can occur from furniture tip-over. Please review the instructions for the Tipping Restraint (1) that is included with your product.



COMPLETE



**Hardware Pack Location(s):**

AUGR RTG5888-20 NIGHTSTAND SKU#32558883

# ROOMS TO GO


Manufactured for Rooms to Go.



## Assembly Instructions

AUGR RTG5888-40 CHEST

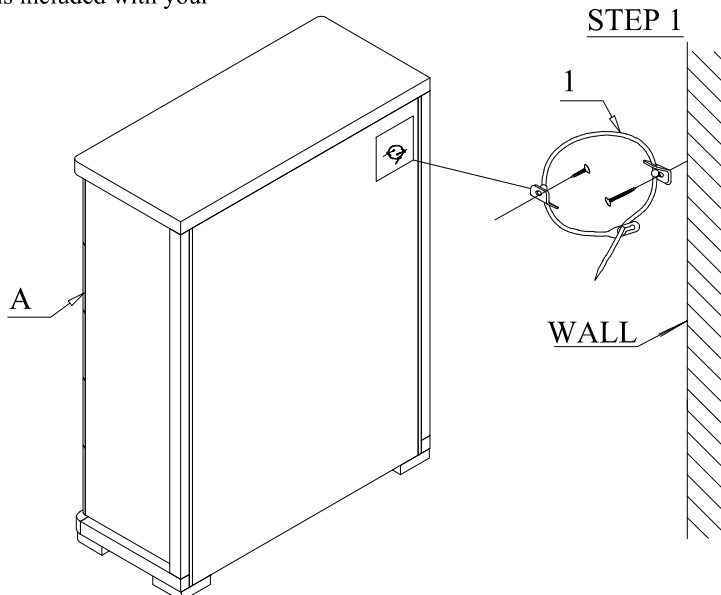
SKU#32658885

\*\*\* Caution: Please read all instructions carefully before starting the assembly process. These parts are cumbersome and heavy. Therefore, two people are recommended in order to prevent personal injury and ensure the parts are not damaged during the assembly.

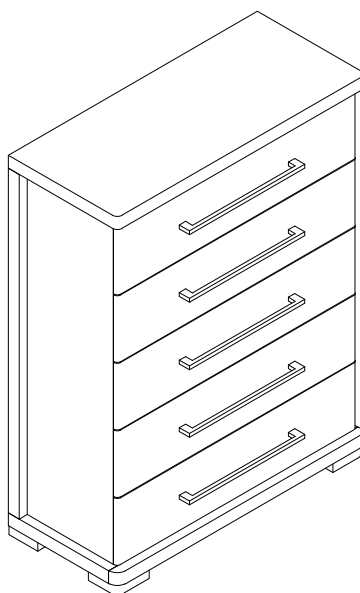
CODE	PARTS LIST		
A	Chest		1 pc

CODE	HARDWARE LIST		
1		Tipping Restraint	1 Set
TOOLS REQUIRED ( NOT PROVIDED )			
Phillips Screwdriver 			

**WARNING:** Serious or fatal crushing injuries can occur from furniture tip-over. Please review the instructions for the Tipping Restraint (1) that is included with your product.



COMPLETE



### Hardware Pack Location(s):

AUGR RTG5888-40 CHEST      SKU#32658885

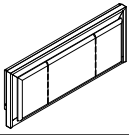
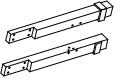
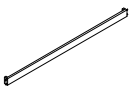
# ROOMS TO GO



Manufactured for Rooms to Go.

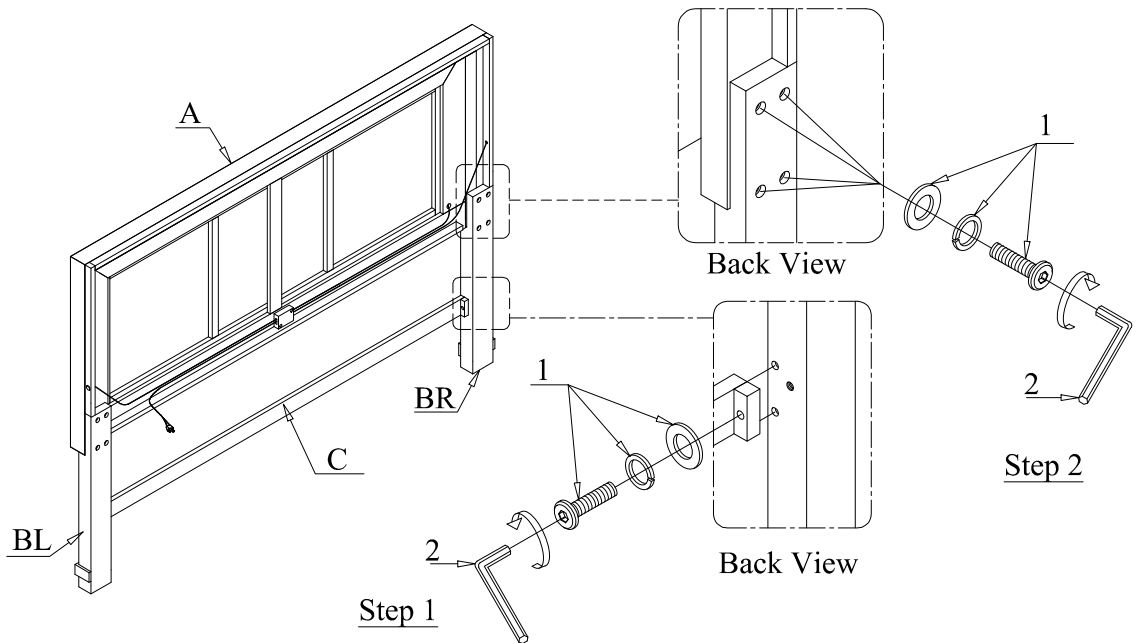
# Assembly Instructions

AUGR RTG5888-60H QUEEN UPH HEADBOARD SKU# 32358889  
 AUGR RTG5888-65H KING UPH HEADBOARD SKU# 32458881

\*\*\* Caution: Please read all instructions carefully before starting the assembly process. These parts are cumbersome and heavy. Therefore, two people are recommended in order to prevent personal injury and ensure the parts are not damaged during the assembly.

CODE	PARTS LIST		
A	Headboard		1 pc
B	Headboard Leg (L&R)		2 pcs
C	Headboard Stretcher		1 pc

CODE	HARDWARE LIST		
1	Bolt 5/16" x 1"-1/2 (Thread Count 18)		10 pcs
	Flat Washer Ø5/16"x19x2mm		10 pcs
	Lock Washer Ø5/16"*Ø12*3mm		10 pcs
2	Allen Wrench M4 x 2-1/4"		1 pc

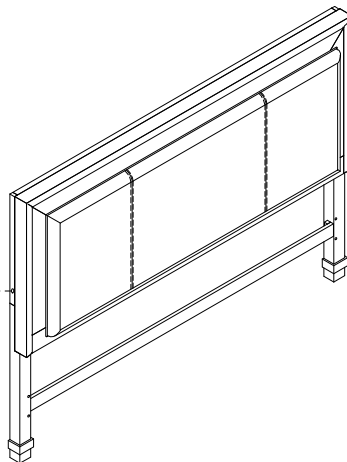


## COMPLETE

### Your Touch is the Switch

- Touch 1-Night light
- Touch 2-Energy saver light
- Touch 3-Bright reading light
- Touch 4-Off

Touch Me!



### Hardware Pack Location(s):

AUGR RTG5888-60H QUEEN UPH HEADBOARD  
 AUGR RTG5888-65H KING UPH HEADBOARD

SKU#32358889  
 SKU#32458881

# ROOMS TO GO

Manufactured for Rooms to Go.

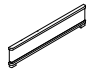



# Assembly Instructions

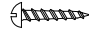

AUGR RTG5888-60H  
 AUGR RTG5888-60F  
 AUGR RTG5888-60R

QUEEN UPH HEADBOARD  
 QUEEN UPH FOOTBOARD  
 QUEEN/KING UPH SIDE RAILS

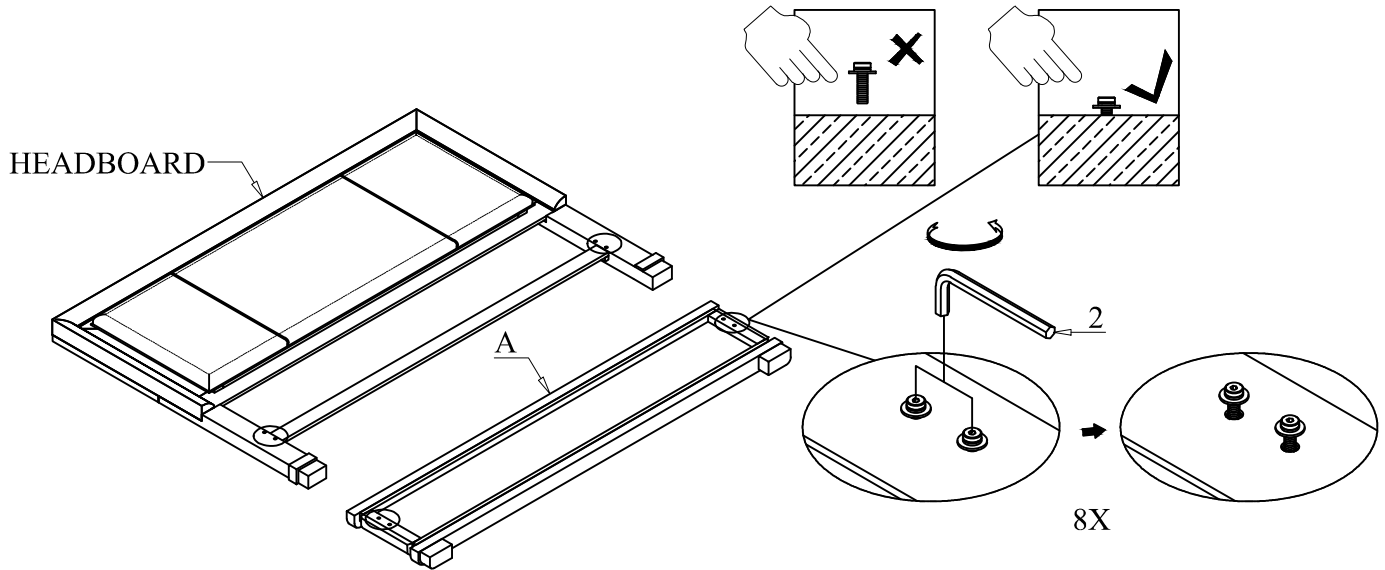
SKU#32358889  
 SKU#32758887  
 SKU#32958881

\*\*\* Caution: Please read all instructions carefully before starting the assembly process. These parts are cumbersome and heavy. Therefore, two people are recommended in order to prevent personal injury and ensure the parts are not damaged during the assembly.

CODE	PARTS LIST		
A	Footboard		1 pc
B	Slats (Packed in Footboard Carton)		5 pcs
C	Support Legs (Packed in Footboard Carton)		5 pcs
D	Side Rail		2 pcs

CODE	HARDWARE LIST		
1	Wood Screw #8 x 30mm		10 pcs
TOOLS REQUIRED ( NOT PROVIDED )			
Phillips Screwdriver 			

**Step 1** Loosen the Allen Bolt, Spring Washer, Flat Washer in the Headboard Leg and Footboard with Allen Wrench. Do not remove the bolt, leave it inserted halfway.



**Step 2**

Support Legs (C) into the insert nut on Slats (B).



**Hardware Pack Location(s):**

AUGR RTG5888-60F QUEEN UPH FOOTBOARD **SKU#32758887**

# ROOMS TO GO

Manufactured for Rooms to Go.

# Assembly Instructions

AUGR RTG5888-60H  
 AUGR RTG5888-60F  
 AUGR RTG5888-60R

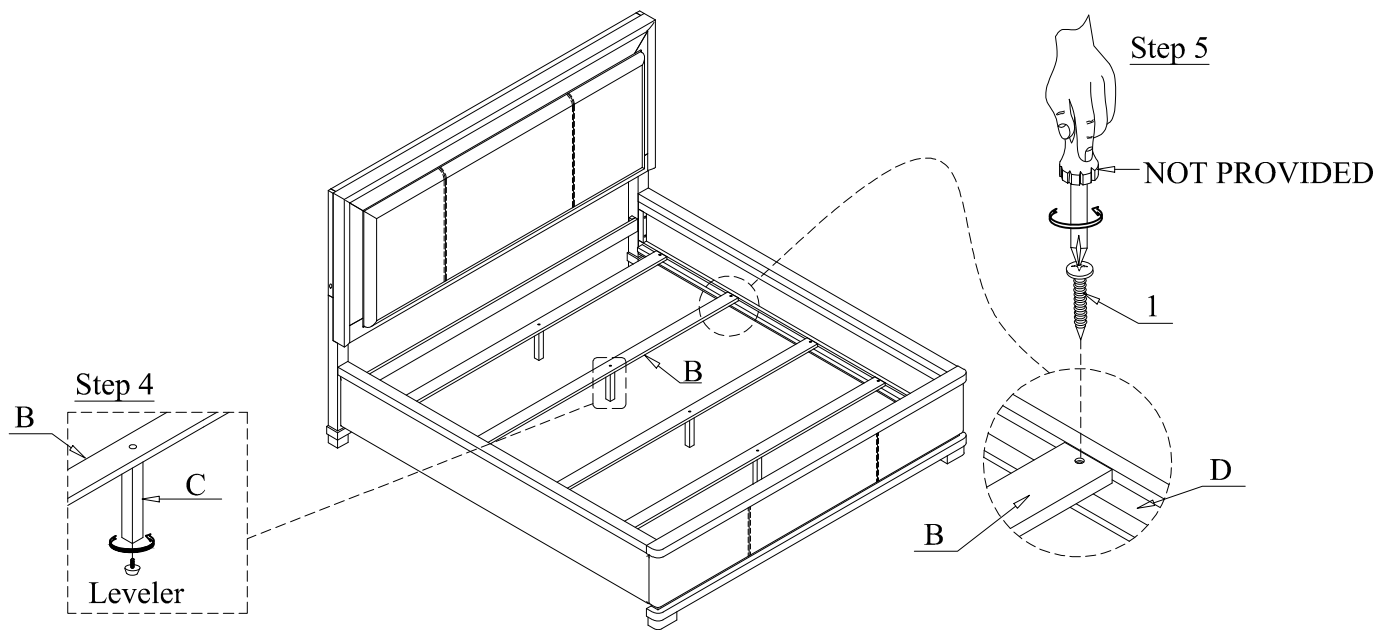
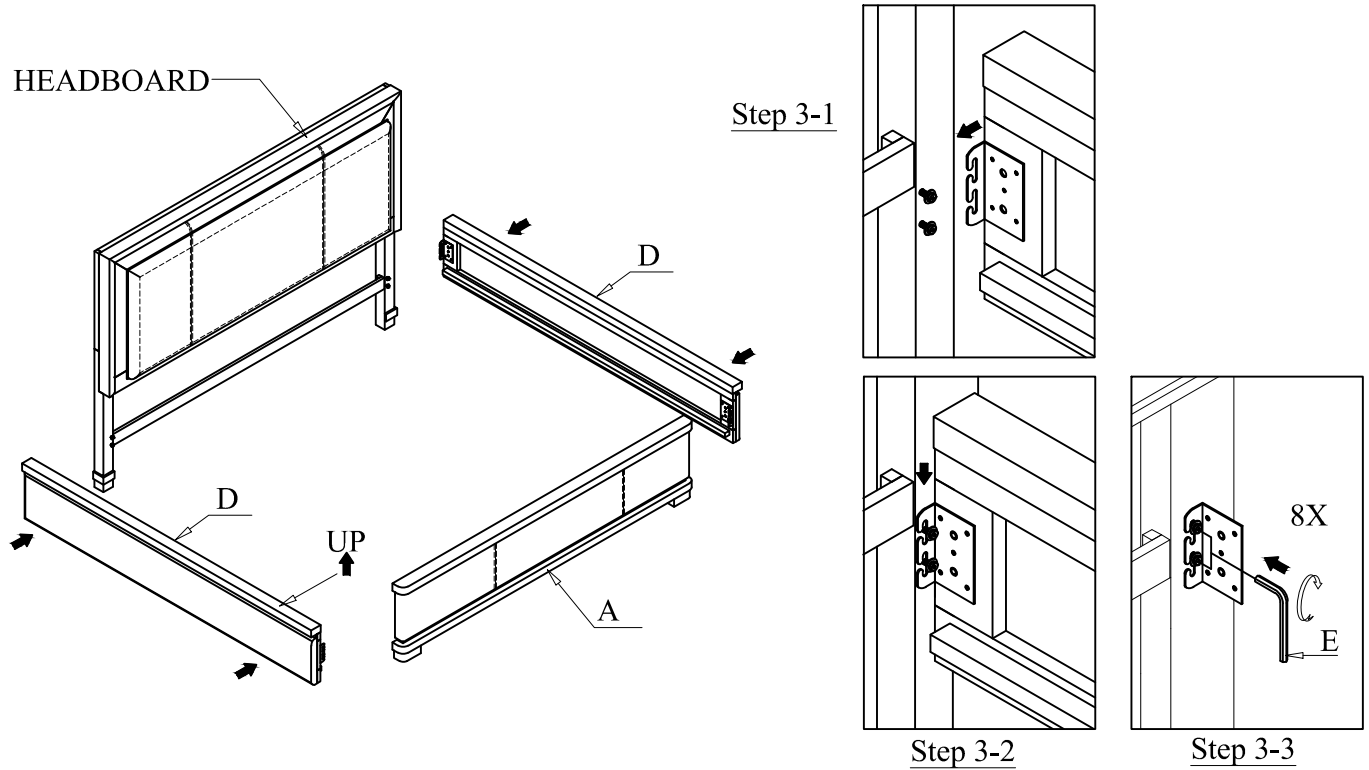
QUEEN UPH HEADBOARD  
 QUEEN UPH FOOTBOARD  
 QUEEN/KING UPH SIDE RAILS

SKU#32358889  
 SKU#32758887  
 SKU#32958881

\*\*\* Caution: Please read all instructions carefully before starting the assembly process. These parts are cumbersome and heavy. Therefore, two people are recommended in order to prevent personal injury and ensure the parts are not damaged during the assembly.

## Step 3

Attach Side Rail to Headboard Leg and Footboard. Place the Side Rail bracket hooks onto the Bolts loosened in Step 3. Apply downward force until they are fully in place. Tighten with Allen Wrench.



### Hardware Pack Location(s):

AUGR RTG5888-60F QUEEN UPH FOOTBOARD

SKU#32758887

# ROOMS TO GO

Manufactured for Rooms to Go.

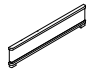



# Assembly Instructions

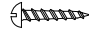

AUGR RTG5888-65H  
 AUGR RTG5888-65F  
 AUGR RTG5888-60R

KING UPH HEADBOARD  
 KING UPH FOOTBOARD  
 QUEEN/KING UPH SIDE RAILS

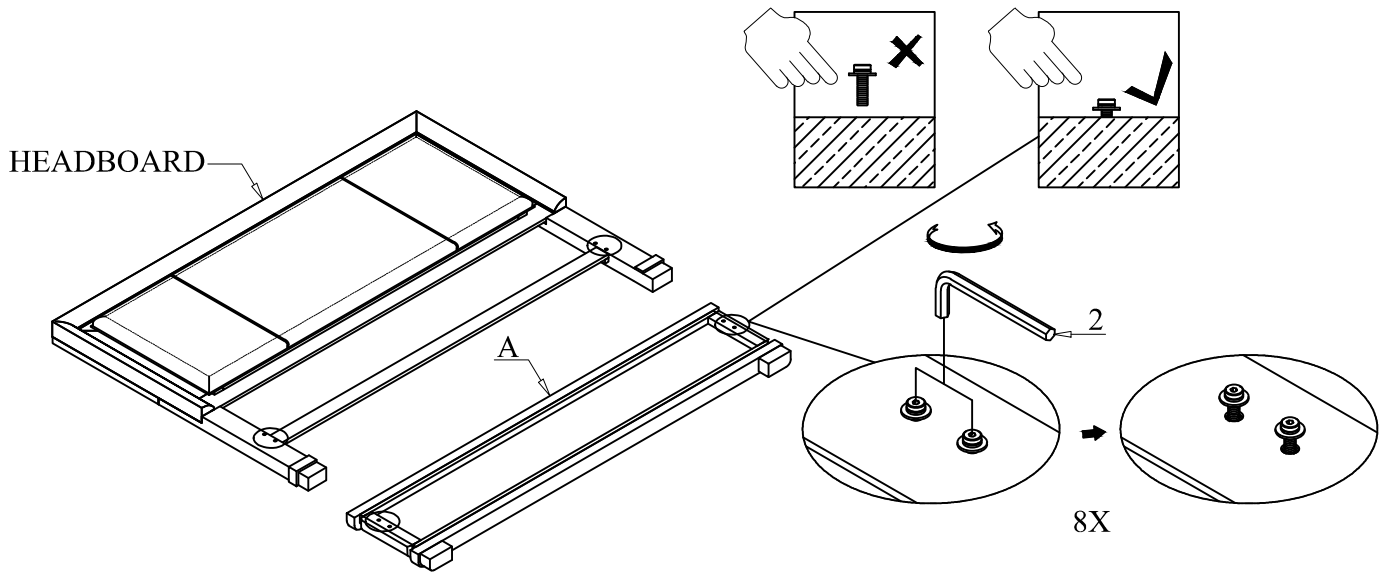
SKU# 32458881  
 SKU# 32858889  
 SKU# 32958881

\*\*\* Caution: Please read all instructions carefully before starting the assembly process. These parts are cumbersome and heavy. Therefore, two people are recommended in order to prevent personal injury and ensure the parts are not damaged during the assembly.

CODE	PARTS LIST		
A	Footboard		1 pc
B	Slats (Packed in Footboard Carton)		5 pcs
C	Support Legs (Packed in Footboard Carton)		10 pcs
D	Side Rail		2 pcs

CODE	HARDWARE LIST		
1	Wood Screw #8 x 30mm		10 pcs
TOOLS REQUIRED ( NOT PROVIDED )			
Phillips Screwdriver 			

**Step 1** Loosen the Allen Bolt, Spring Washer, Flat Washer in the Headboard Leg and Footboard with Allen Wrench. Do not remove the bolt, leave it inserted halfway.



**Step 2**

Support Legs (C) into the insert nut on Slats (B).



**Hardware Pack Location(s):**

AUGR RTG5888-65F KING UPH FOOTBOARD SKU#32858889



# ROOMS TO GO

Manufactured for Rooms to Go.

# Assembly Instructions

AUGR RTG5888-65H  
 AUGR RTG5888-65F  
 AUGR RTG5888-60R

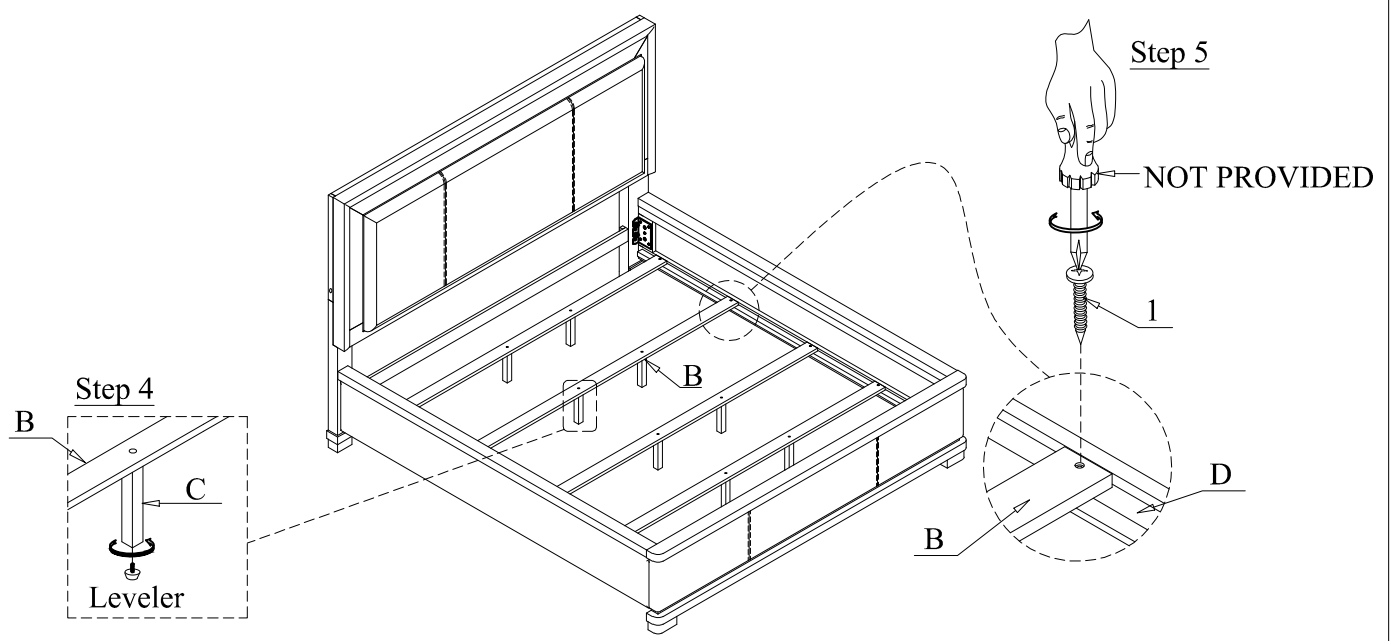
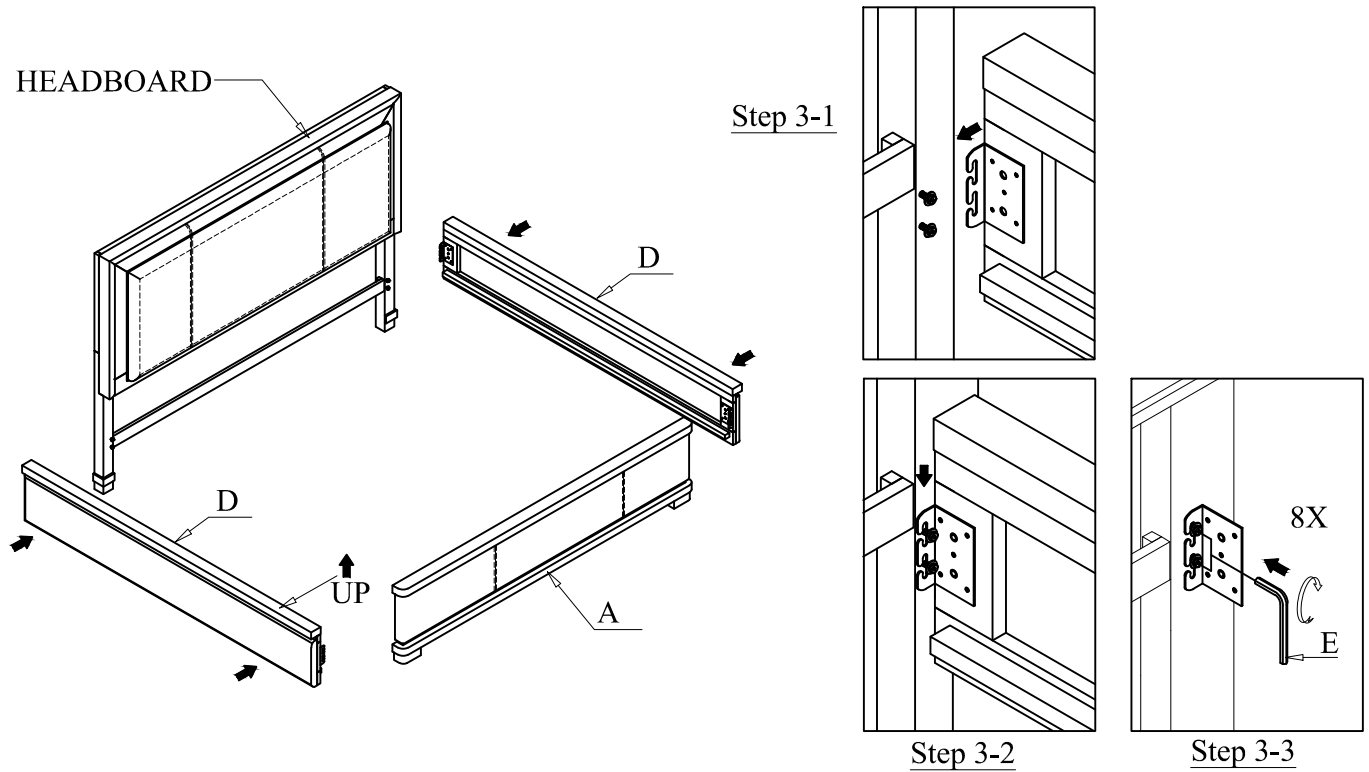
KING UPH HEADBOARD  
 KING UPH FOOTBOARD  
 QUEEN/KING UPH SIDE RAILS

SKU# 32458881  
 SKU# 32858889  
 SKU# 32958881

\*\*\* Caution: Please read all instructions carefully before starting the assembly process. These parts are cumbersome and heavy. Therefore, two people are recommended in order to prevent personal injury and ensure the parts are not damaged during the assembly.

## Step 3

Attach Side Rail to Headboard Leg and Footboard. Place the Side Rail bracket hooks onto the Bolts loosened in Step 3. Apply downward force until they are fully in place. Tighten with Allen Wrench.



## Hardware Pack Location(s):

AUGR RTG5888-65F KING UPH FOOTBOARD      SKU#32858889