



ASSEMBLY INSTRUCTIONS

ALAM 6710-4 : KG HDBD # SKU 32467107
 ALAM 6710-8 : KG FTBD # SKU 32867105
 ALAM 6710-9 : QN/KG RVS RAILS # SKU 32967107

ALAM 7710-4 : KG HDBD # SKU 32477108
 ALAM 7710-8 : KG FTBD # SKU 32877106
 ALAM 7710-9 : QN/KG RVS RAILS # SKU 32977108

Thank you for purchasing this quality product. Be sure to check all packing material carefully for small parts, which may have come loose inside the carton during shipment. Identify and count all parts and compare with the Hardware List below.

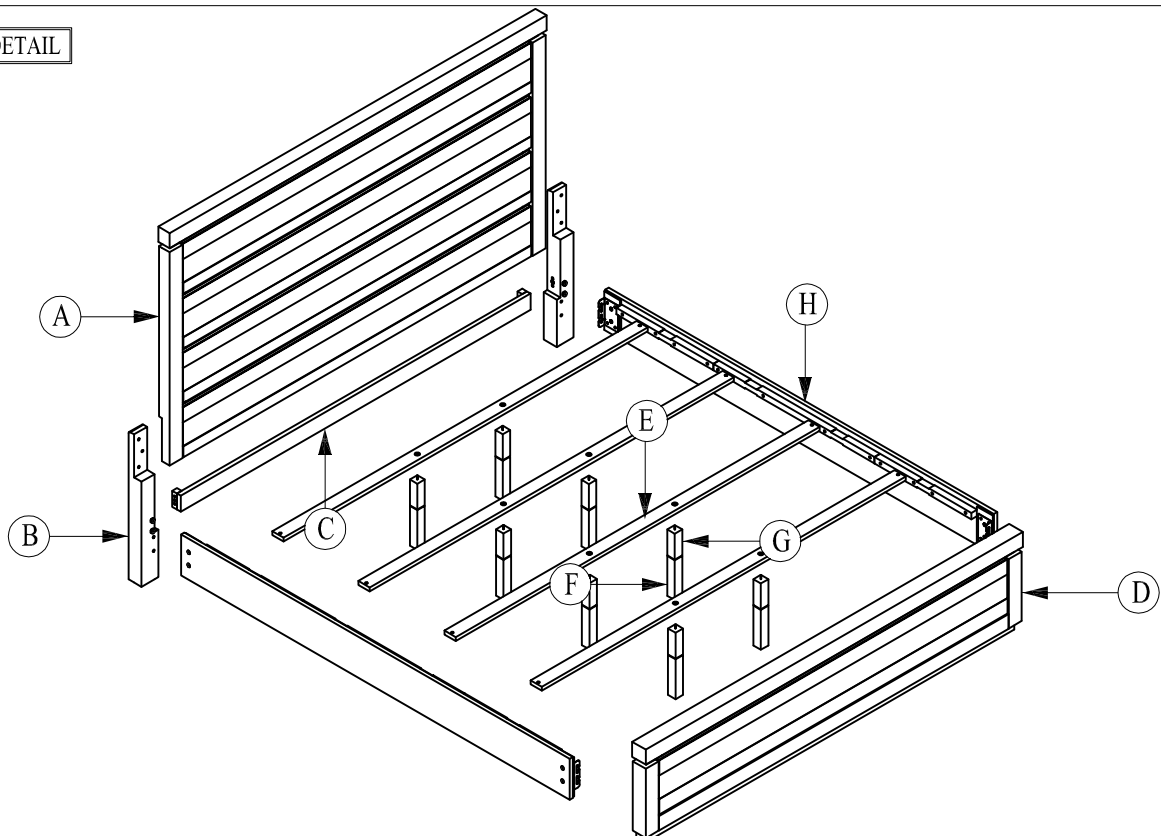
| | No. | Description | Qty |
|------------------|-----|--------------|-------|
| Headboard | A | Headboard | 1 Pc |
| | B | Legs (L - R) | 2 Pcs |
| | C | Stretcher | 1 Pc |

| | | | |
|------------------|---|----------------------|-------|
| Footboard | D | Footboard | 1 Pc |
| | E | Slats | 4 Pcs |
| | F | Regular Leg Supports | 8 Pcs |
| | G | Leg extensions | 8 Pcs |

| | | | |
|-----------------|---|-----------|-------|
| Siderail | H | Siderails | 2 Pcs |
|-----------------|---|-----------|-------|

| | No. | Picture | Description | Dimension | Qty |
|----------------------|-----|---------|---|---------------------|-------|
| Hardware List | 1 | | Screws | Ø8 x 1 1/4" | 8 Pcs |
| | 2 | | Bolts | 5/16" x 18 x 1 3/4" | 8 Pcs |
| | 3 | | Lock Washers | Ø8 x Ø14 x 2 mm | 8 Pcs |
| | 4 | | Flat Washers | Ø8 x Ø18 x 1 mm | 8 Pcs |
| | 5 | | Allen Key | 5 x 65 mm | 1 Pc |
| | 6 | | Dowels | Ø10 x 40 mm | 4 Pcs |
| | 7 | | Phillip Headscrew Driver (not included) | | |

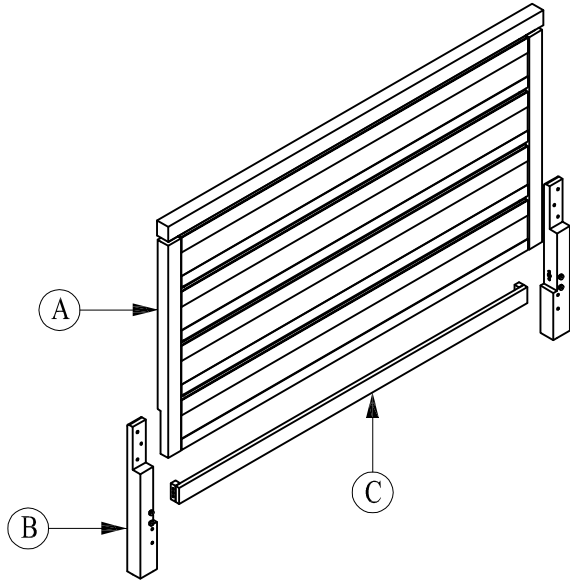
PART DETAIL



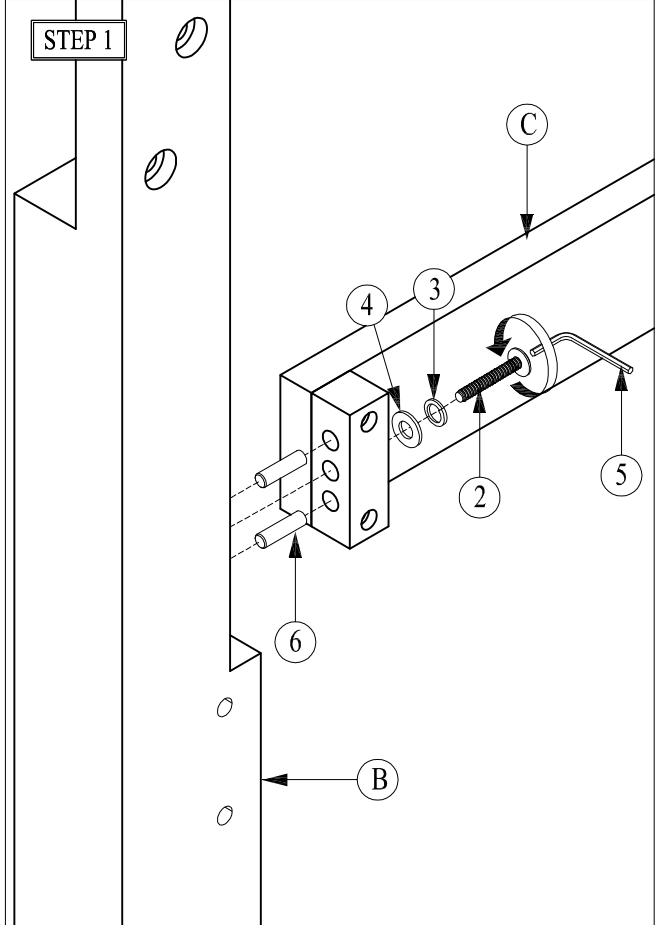
ALAM 6710-4 : KG HDBD # SKU 32467107
ALAM 7710-4 : KG HDBD # SKU 32477108

ASSEMBLY STEP

PART DETAIL

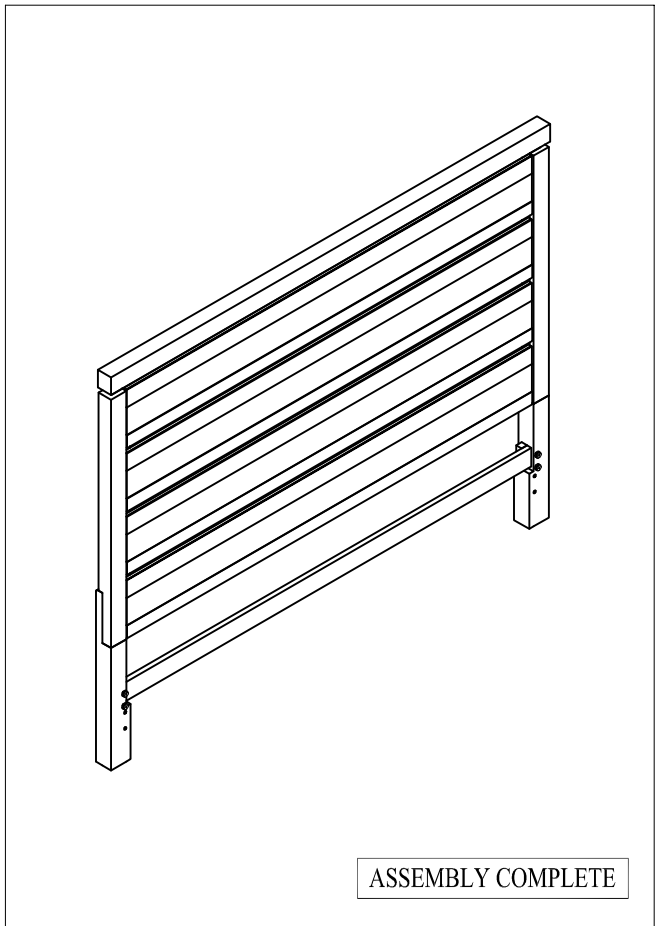
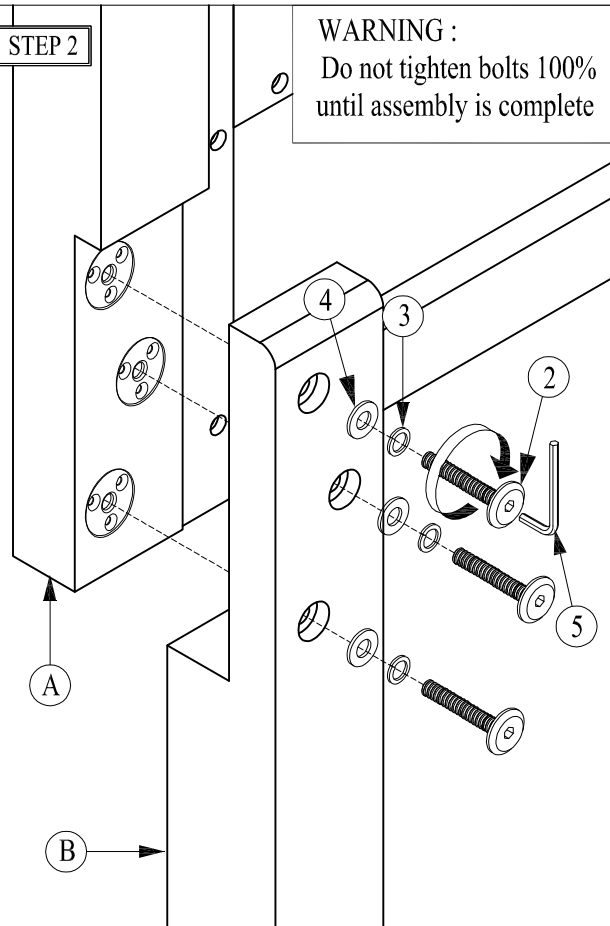


STEP 1



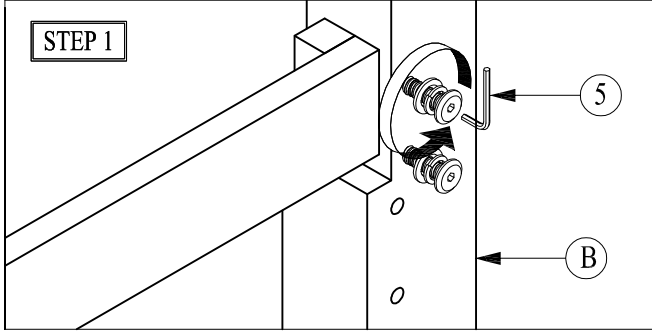
STEP 2

WARNING :
Do not tighten bolts 100%
until assembly is complete

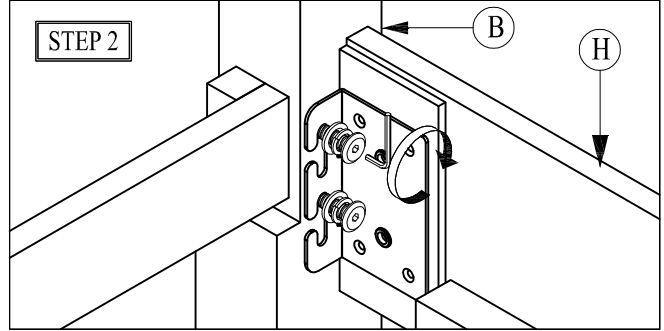


ALAM 6710-9 : QN/KG RVS RAILS # SKU 32967107
 ALAM 7710-9 : QN/KG RVS RAILS # SKU 32977108

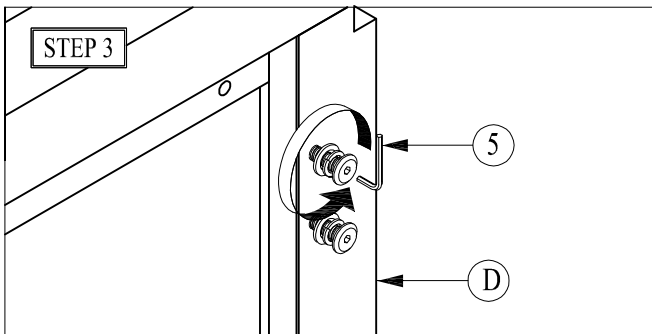
ASSEMBLY STEP



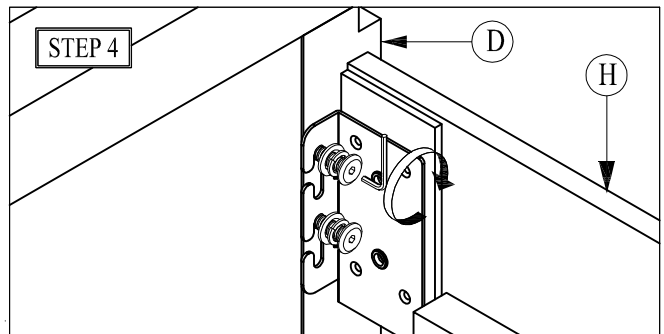
Slightly loose the Bolt on the Leg (B)



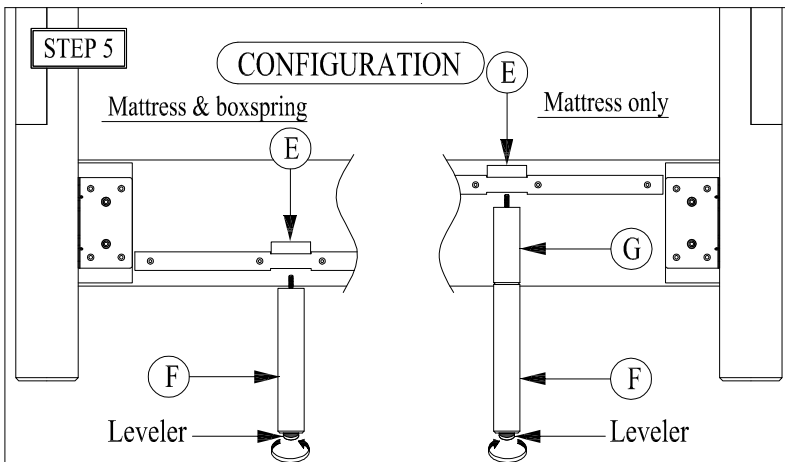
Attach Regular Siderail (H) to Leg (B)



Slightly loose the Bolt on the Footboard (D)

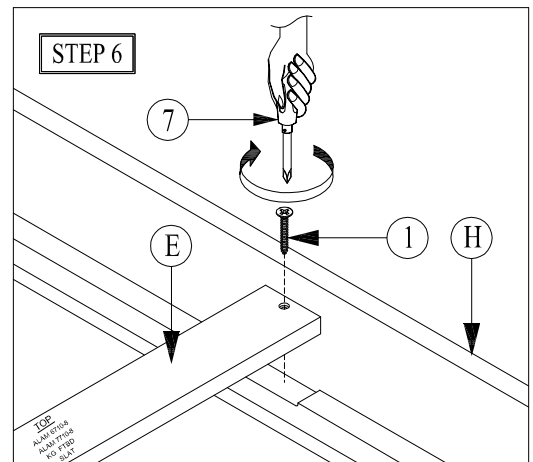


Attach Regular Siderail (H) to Footboard (D)

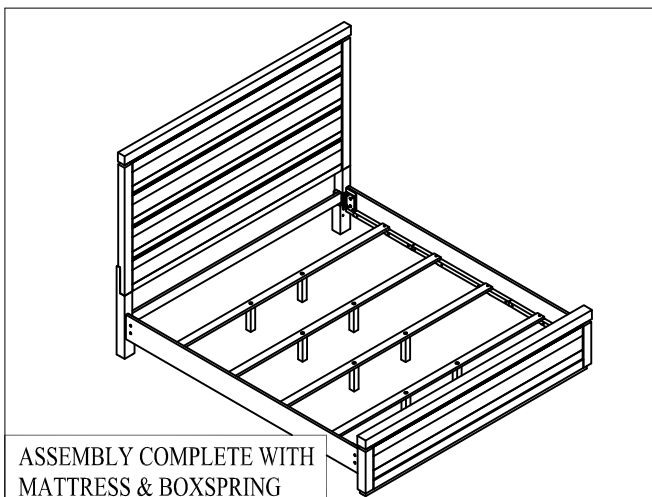


Tighten leg support (F) to slat (E)

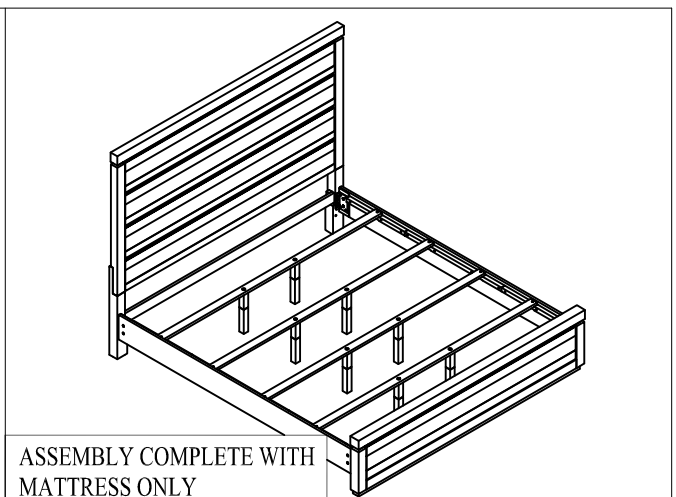
Tighten leg ext. (G) to slat (E)



Attach Slats (E) to Siderail (H) using screw (1) with screw driver (7) follow pre-drill on the slats



ASSEMBLY COMPLETE WITH MATTRESS & BOXSPRING



ASSEMBLY COMPLETE WITH MATTRESS ONLY