


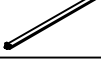


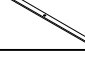
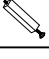



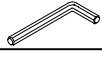
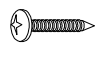
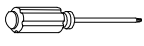
ASSEMBLY INSTRUCTION

RVID 68971-4 King Headboard
68971-8 King Panel Footboard
68971-9 Queen/King Panel Siderails

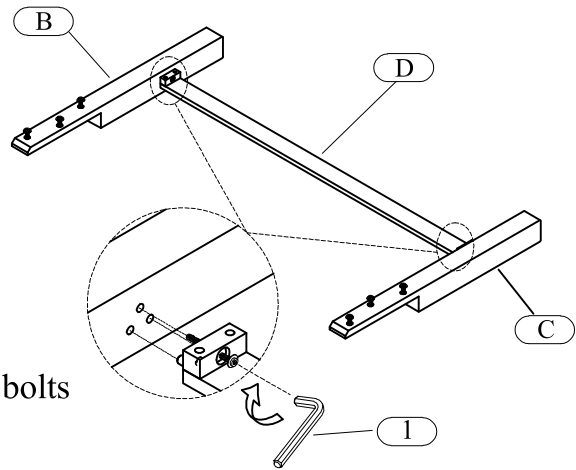
SKU:32468919
SKU:32868917
SKU:32968919

THANK YOU FOR PURCHASING THIS QUALITY PRODUCT. BE SURE TO CHECK ALL PACKING MATERIALS CAREFULLY FOR SMALL HARDWARE WHICH MAY HAVE COME LOOSE INSIDE THE CARTON DURING SHIPMENT. IDENTIFY AND COUNT ALL HARDWARE AND COMPARE WITH THE HARDWARE LIST BELOW.

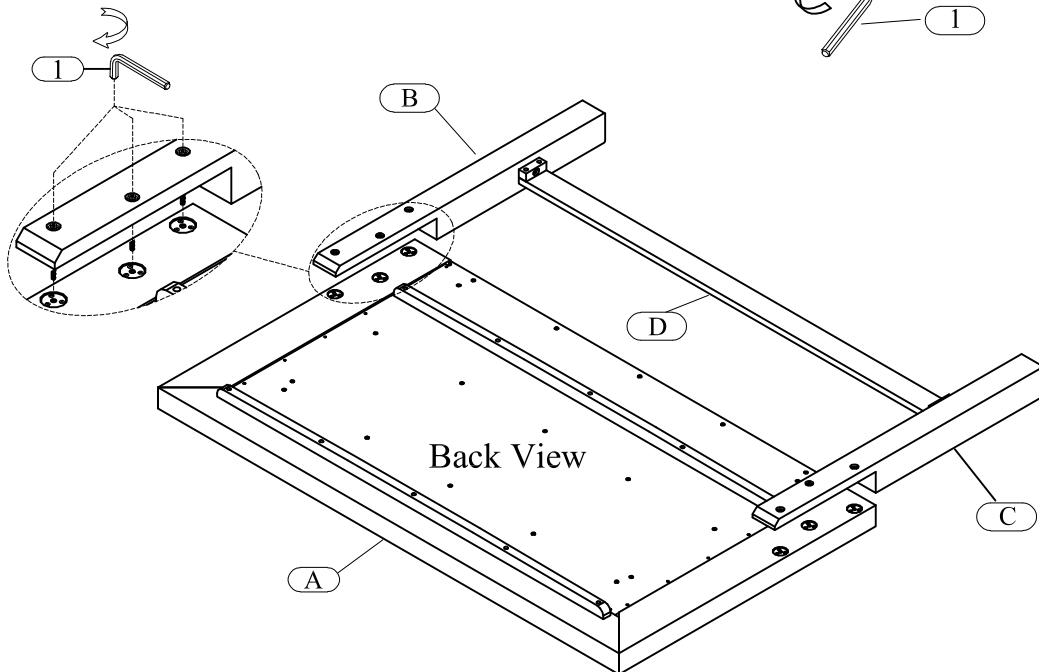
| PARTS LIST : | | | |
|--------------|----------------------|---|-------|
| No. | Description | Sketch | Q' TY |
| A | King Headboard |  | 1 |
| B | Left Leg with Bolts |  | 1 |
| C | Right Leg with Bolts |  | 1 |
| D | Stretcher with Bolts |  | 1 |
| E | King Panel Footboard |  | 1 |
| F | Bed Rail |  | 2 |
| G | Wood Slat |  | 5 |
| H | Long Support leg |  | 10 |
| I | Short Support leg |  | 10 |

| HARDWARE LIST PACKED IN HEADBOARD | | | |
|--|--|------------------------------|--------|
| NO. | HARDWARE LIST | | Q' TY |
| 1 |  | 4mm Allen Key | 1 pc |
| HARDWARE LIST PACKED IN FOOTBOARD | | | |
| 2 |  | #8 x 1" Screw | 10 pcs |
|  | | Tool Required (not provided) | |

Step 1: Do not fully tighten the bolts



Step 2: Using the Allen key (1) to tighten all bolts



Hardware Pack Location:

Inside Box: 6891-4/6891-8 King Headboard/King Panel Footboard SKU: 32468919/32868917

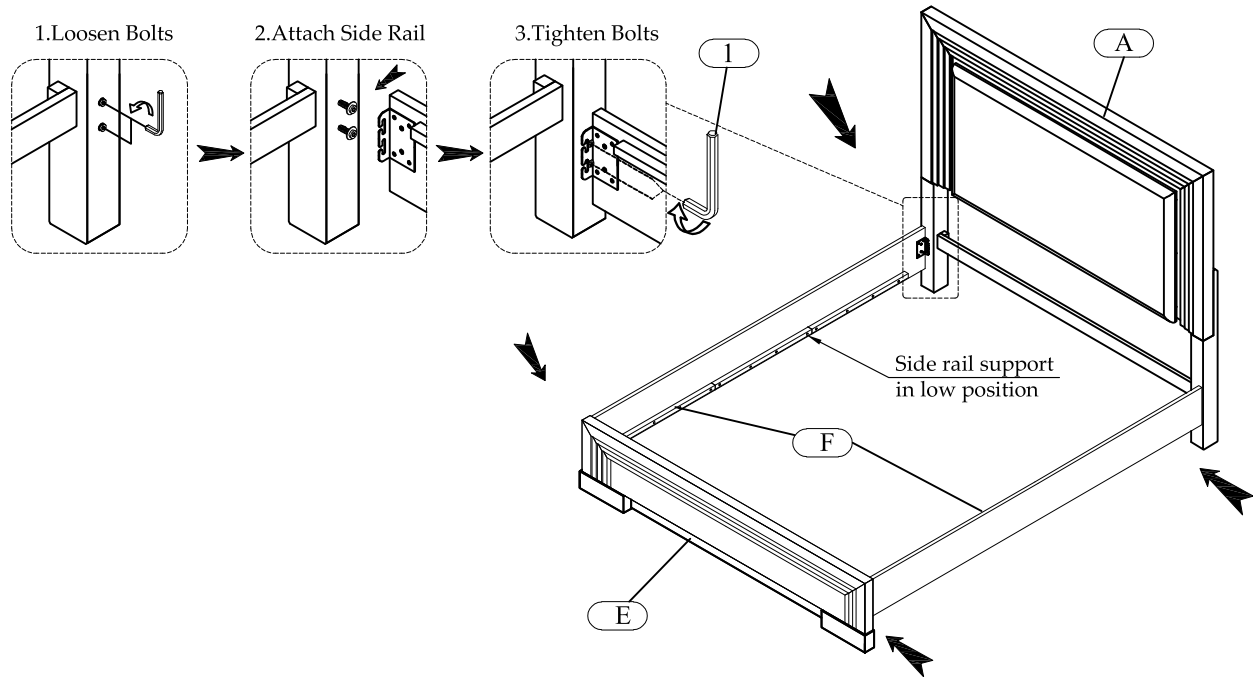
ASSEMBLY INSTRUCTION

RVID 68971-4 King Headboard
 68971-8 King Panel Footboard
 68971-9 Queen/King Panel Siderails

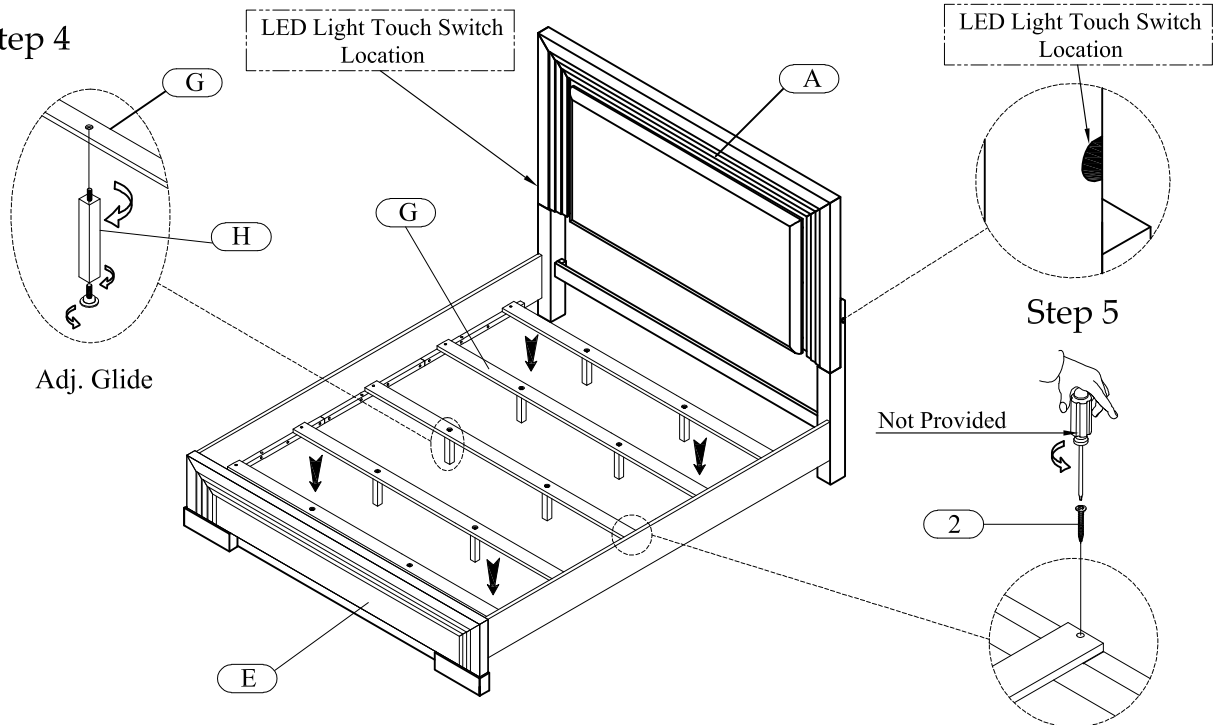
SKU:32468919
 SKU:32868917
 SKU:32968919

THANK YOU FOR PURCHASING THIS QUALITY PRODUCT. BE SURE TO CHECK ALL PACKING MATERIALS CAREFULLY FOR SMALL HARDWARE WHICH MAY HAVE COME LOOSE INSIDE THE CARTON DURING SHIPMENT. IDENTIFY AND COUNT ALL HARDWARE AND COMPARE WITH THE HARDWARE LIST BELOW.

Step 3: Option1 -When using the side rail slats in the low position only use PART H under the slats



Step 4



Hardware Pack Location:

Inside Box: 6891-4/6891-8 King Headboard/King Panel Footboard

SKU: 32468919/32868917

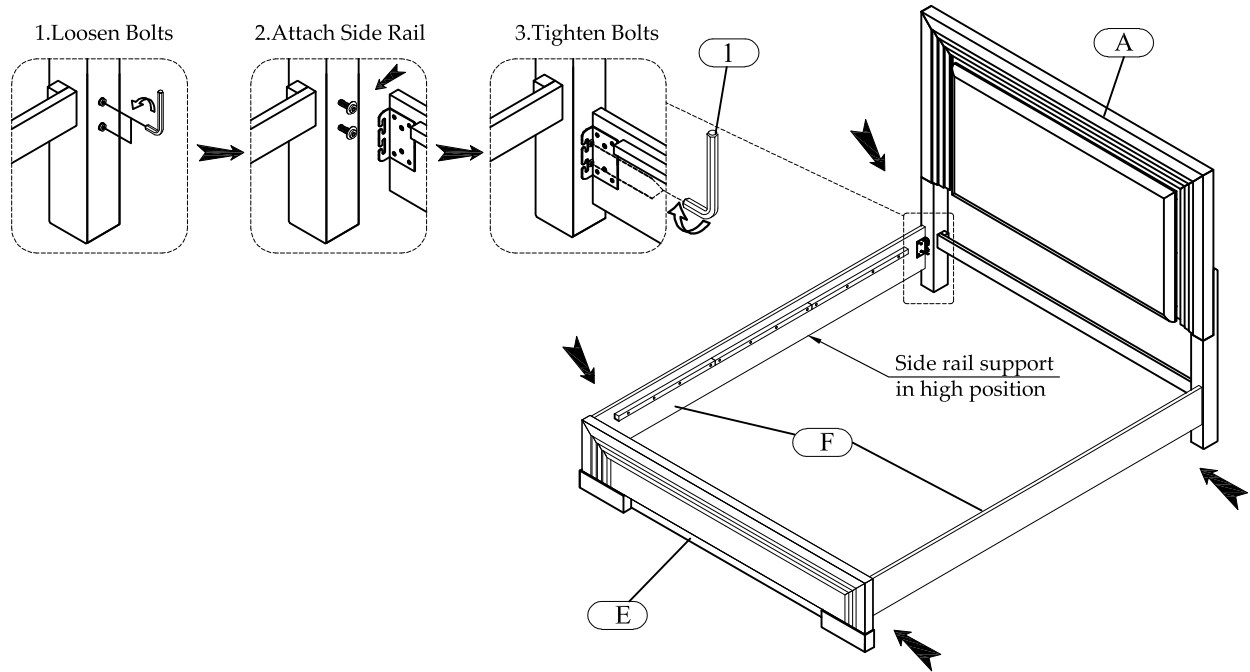
ASSEMBLY INSTRUCTION

RVID 68971-4 King Headboard
 68971-8 King Panel Footboard
 68971-9 Queen/King Panel Siderails

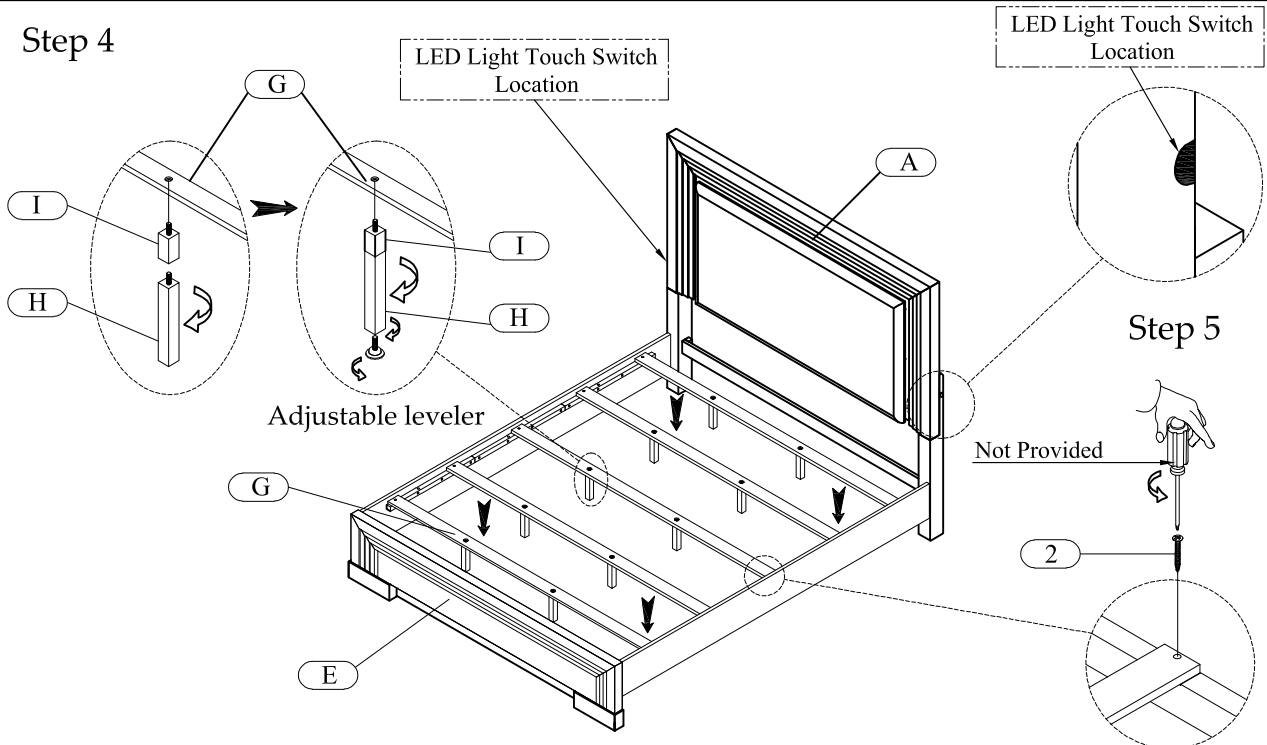
SKU:32468919
 SKU:32868917
 SKU:32968919

THANK YOU FOR PURCHASING THIS QUALITY PRODUCT. BE SURE TO CHECK ALL PACKING MATERIALS CAREFULLY FOR SMALL HARDWARE WHICH MAY HAVE COME LOOSE INSIDE THE CARTON DURING SHIPMENT. IDENTIFY AND COUNT ALL HARDWARE AND COMPARE WITH THE HARDWARE LIST BELOW.

Step 3: Option 2 -Rotate the side rail 180 degrees to use Option 2 (When using the side rail slats in the high position use PART H & PART I under the slats)



Step 4



Hardware Pack Location:

Inside Box: 6891-4/6891-8 King Headboard/King Panel Footboard

SKU: 32468919/32868917