



HOLLAND HOUSE

Assembly Instruction

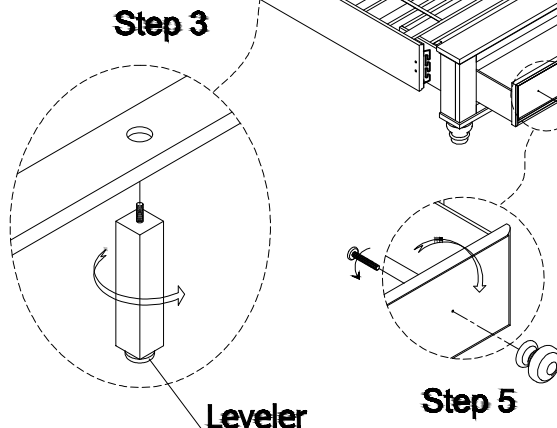
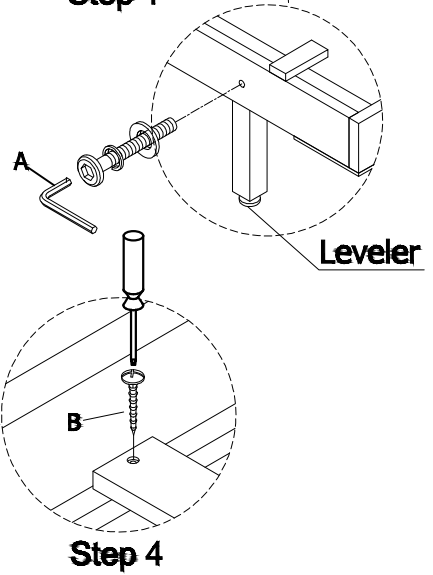
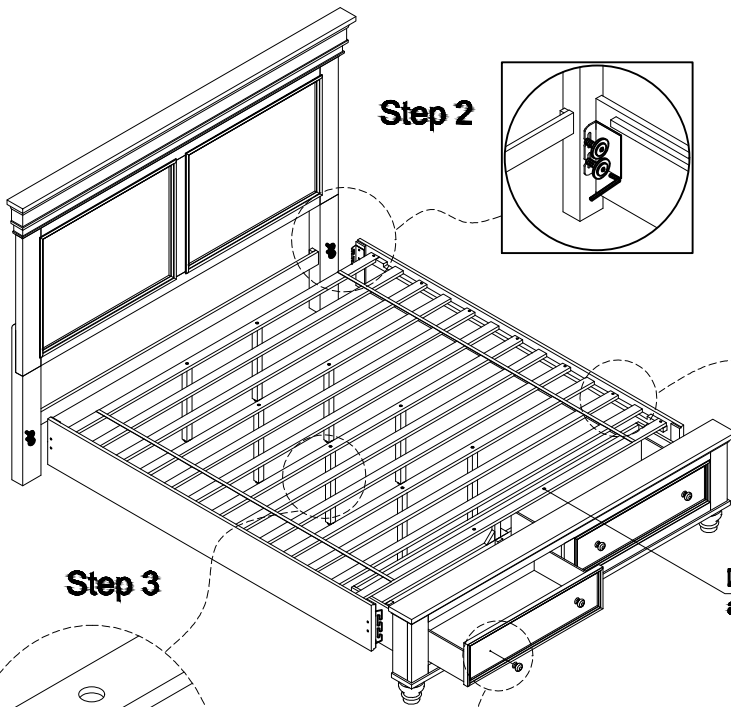
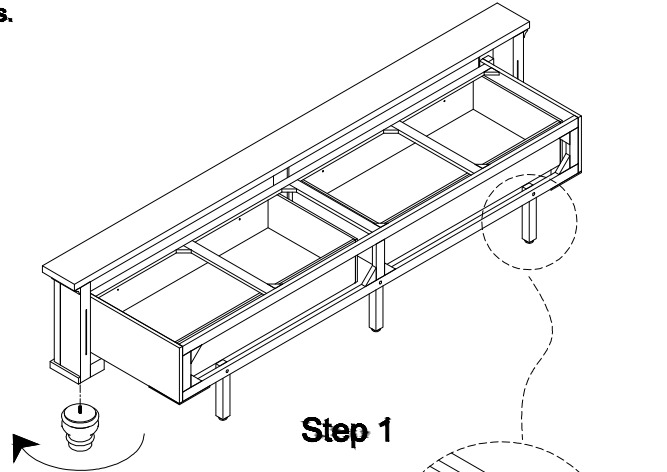
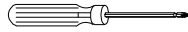
HOUS 7055-21H/49USF/49R Que20en Storage Bed SKU#32370556/33770555/33970559
 HOUS 7055-22H/50USF/49R King Storage Bed SKU#32470558/33870557/33970559
 HOUS 7054-21H/49USF/49R Queen Storage Bed SKU#32370544/33770543/33970547
 HOUS 7054-22H/50USF/49R King Storage Bed SKU#32470546/33870545/33970547

Thank you for purchasing this quality product. Be sure to check all packing materials carefully for small parts which may have come loose inside the carton during shipment. Identify and count all parts and compare with the parts list below.
 **Assemble the product on a flat, soft surface such as a carpet or cloth to prevent scratching the finish. Read all instruction and study the drawings carefully before starting the assembly process.

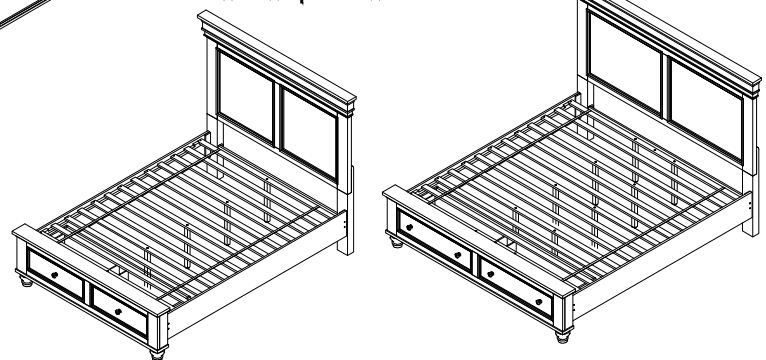
Hardware list (Enclosed in Footboard)

Step	Code	Hardware	Image	Queen	King
				QTY	
1	A	Allen key 4mm		1 pcs	1 pcs
4	B	Screw #8x1"		26 pcs	26 pcs

TOOL REQUIRED (NOT PROVIDED):
PHILLIPS SCREW DRIVER



Don't attach slat support at the end position.



Cleaning Instruction: Clean finished parts with a mild dishwashing liquid and water solution on a damp cloth. Polish the finish with soft cloth and an industry recognized furniture polish.

Made in Vietnam