



Assembly Instruction

STOF 7205-8 King Footboard
STOF 7205-9 Side Rails



SKU#: 32872055
32972057

MADE IN VIETNAM

Thank you for purchasing this quality product. Be sure to check all packing material carefully for small parts which may have come loose inside the carton during shipment. Separate, identify and count all parts and compare with the parts list below.

** Assemble the product on a flat, soft surface such as a carpet or cloth to prevent scuffing the finish.
Read all instruction and study the drawings carefully before starting the assembly process.

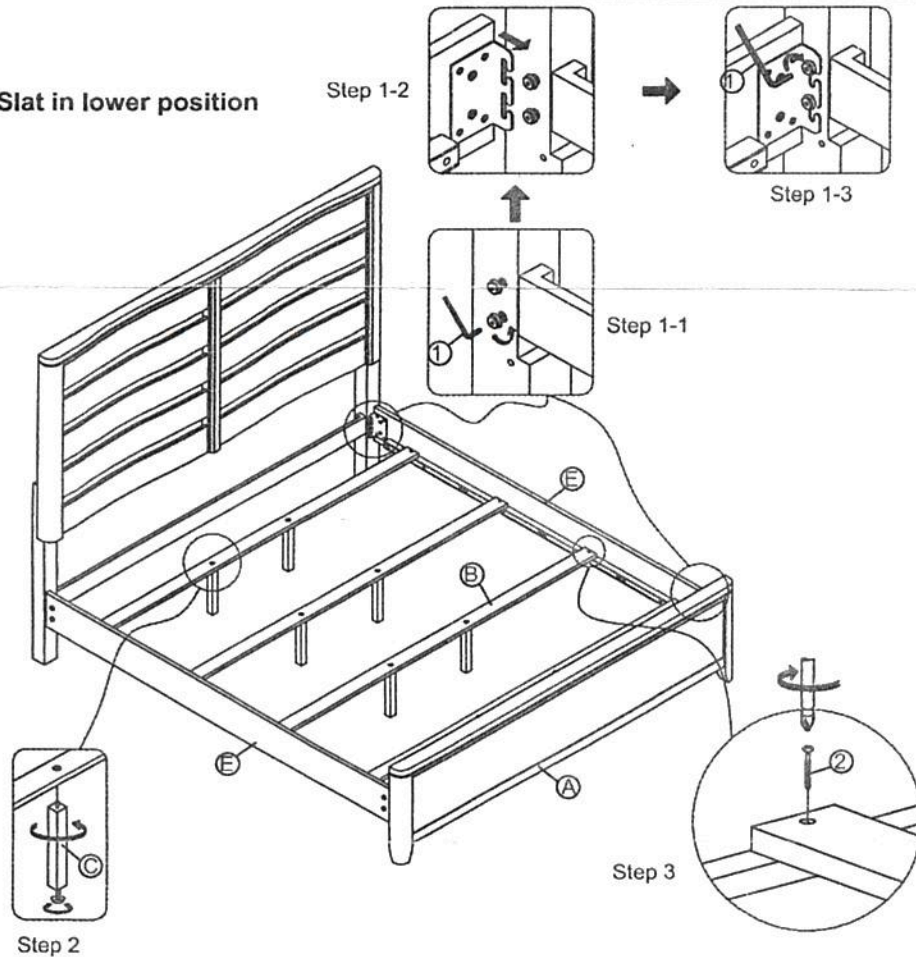
Hardware list Box in Footboard

Step	Code	Hardware	Q'ty
1	1	Allen key 4*30*80mm 	1
3	2	Wood Screw #8*32mm 	8

Component list

Code	Descriptions	Q'ty
A	Foot Board (Packed Separately)	1
B	Bed Slat (Packed inside Footboard)	4
C	Support Leg 1 (Packed inside Footboard)	8
D	Support Leg 2 (Packed inside Footboard)	8
E	Side Rail (Packed Separately)	2

OPTION 1: Bed Slat in lower position





Assembly Instruction

STOF 7205-8 King Footboard
STOF 7205-9 Side Rails

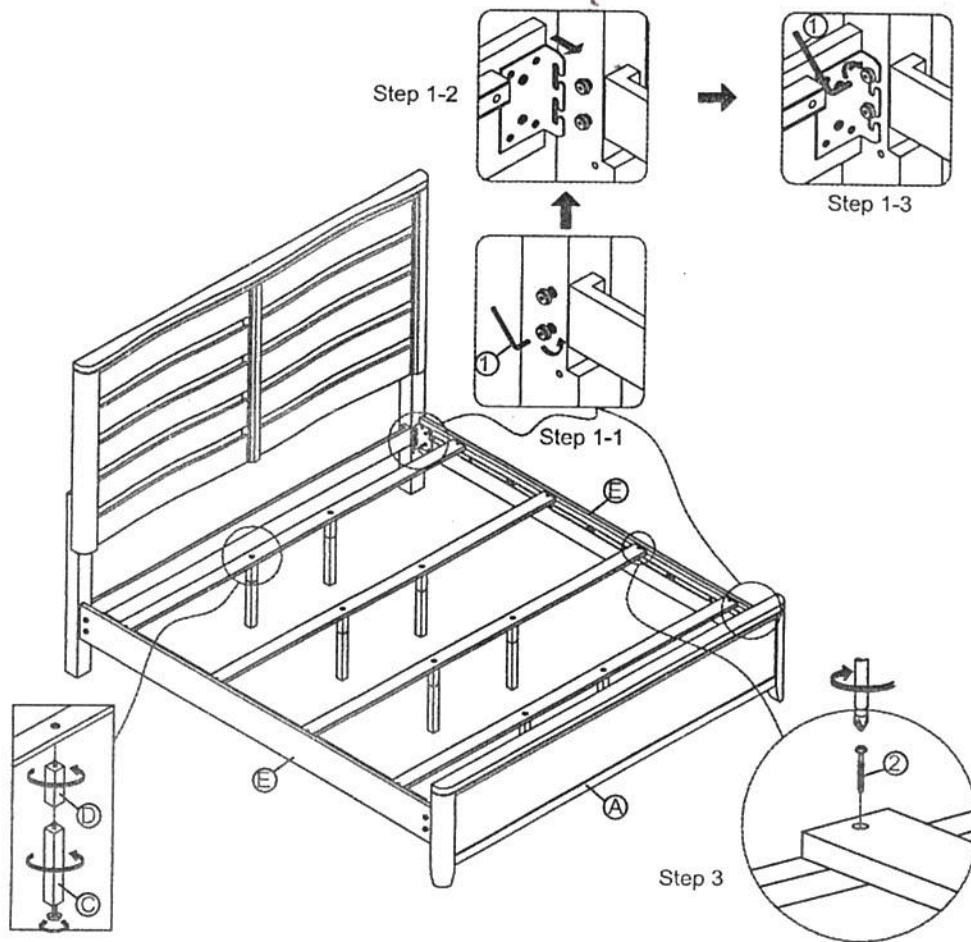
SKU#: 32872055
32972057

MADE IN VIETNAM

Thank you for purchasing this quality product. Be sure to check all packing material carefully for small parts which may have come loose inside the carton during shipment. Separate, identify and count all parts and compare with the parts list below.

** Assemble the product on a flat, soft surface such as a carpet or cloth to prevent scratching the finish.
Read all instruction and study the drawings carefully before starting the assembly process.

OPTION 2: Bed Slat in higher position



Cleaning Instruction: clean finished parts with a mild dishwashing liquid and water solution on a damp cloth. Polish the finish with soft and industry recognized furniture polish.